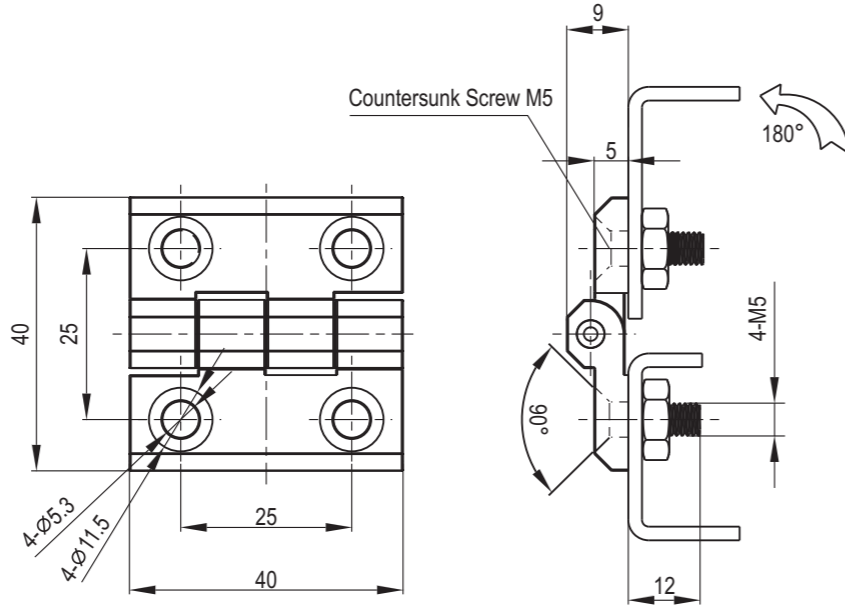
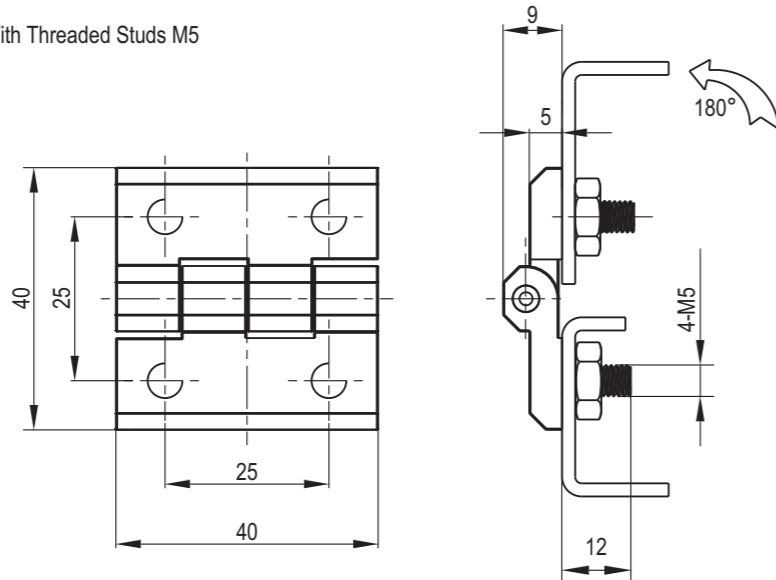


Countersunk Screw M5



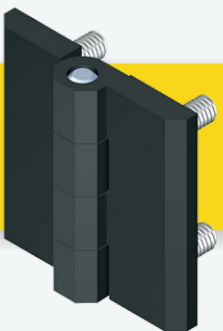
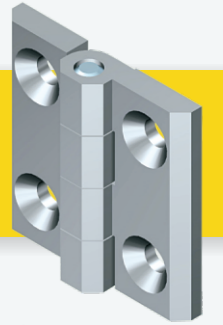
SUS material upon request

With Threaded Studs M5

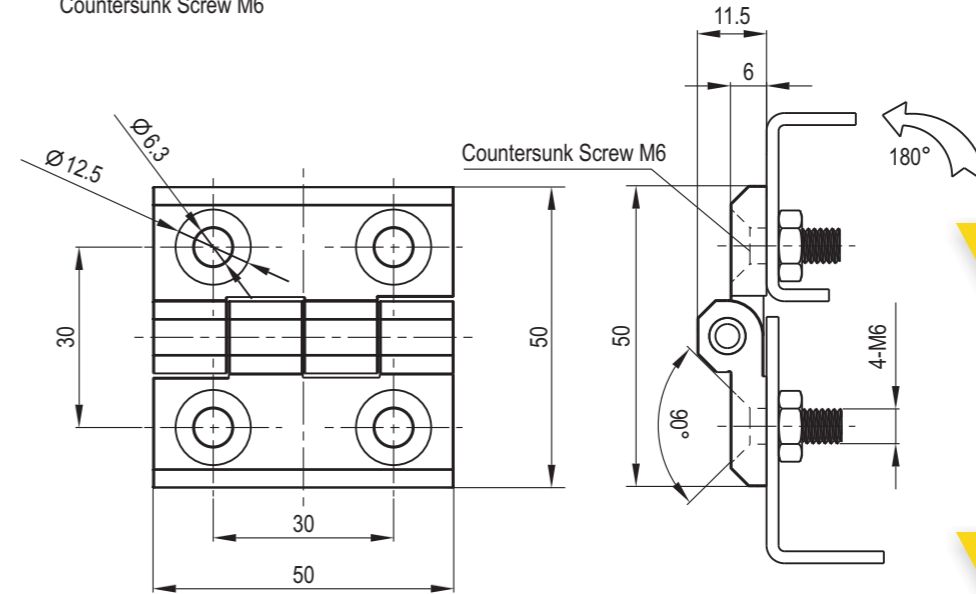


Zinc die, m.s. zinc plated or SUS pin and threaded studs, black powder coated or bright chrome

Screw-on Hinge 40X40		
Finish	Countersunk Screw M5	With Threaded Studs M5
Black Powder Coated	2101-400-10	2101-401-20
Bright Chrome	2101-400-30	
SUS 316	2101-400-316	
Textured Chrome Plated		2101-401-79

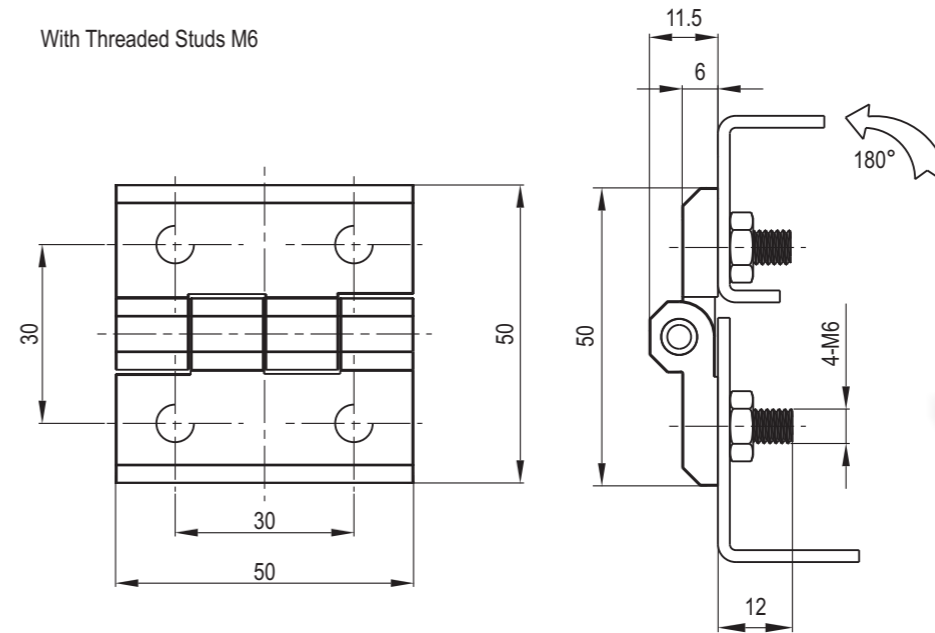


Countersunk Screw M6



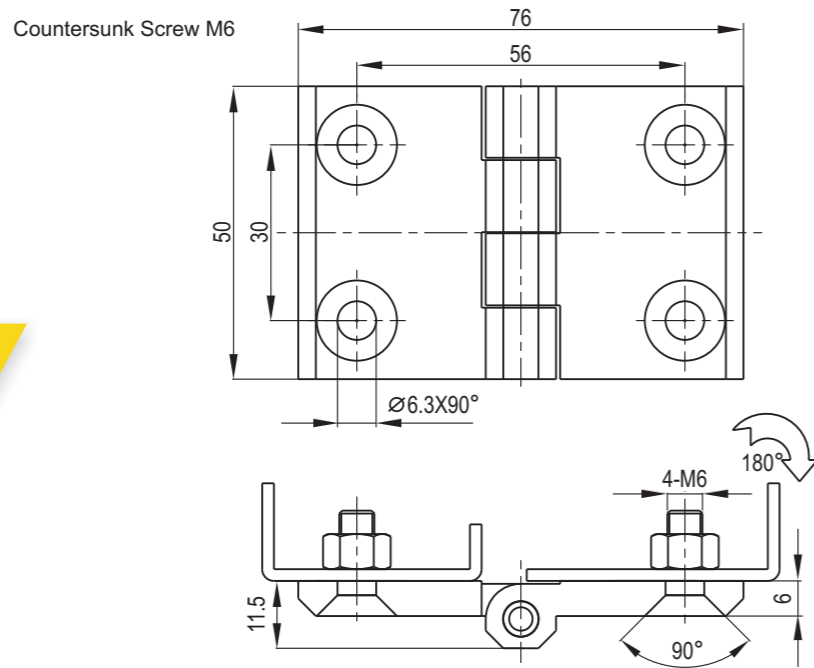
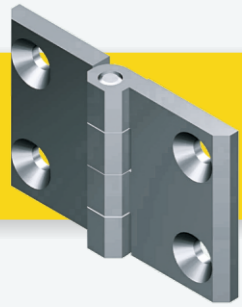
SUS material upon request

With Threaded Studs M6

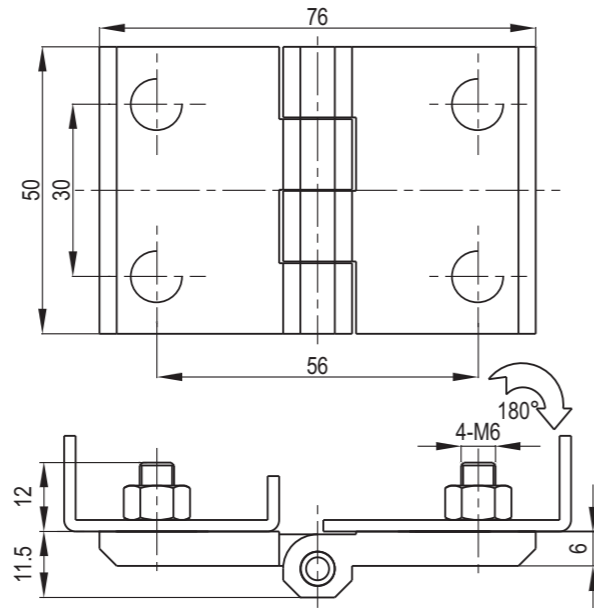


Zinc die, m.s. zinc plated or SUS pin and threaded studs, black powder coated or bright chrome

Screw-on Hinge 50X50		
Finish	Countersunk Screw M6	With Threaded Studs M6
Black Powder Coated	2101-500-10	2101-501-20
Bright Chrome	2101-500-30	
SUS 316	2101-500-316	
Textured Chrome Plated		2101-501-79

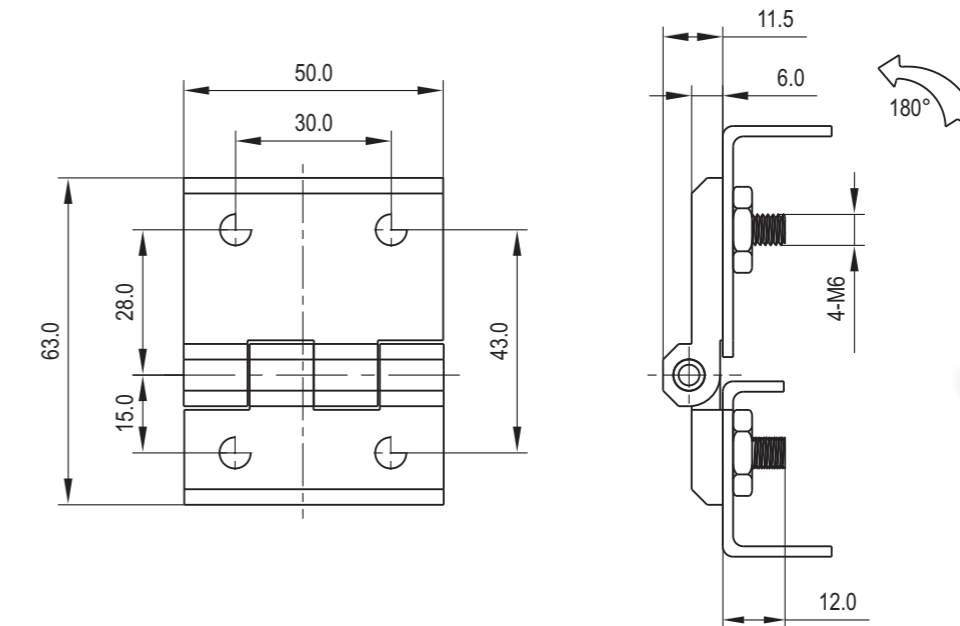
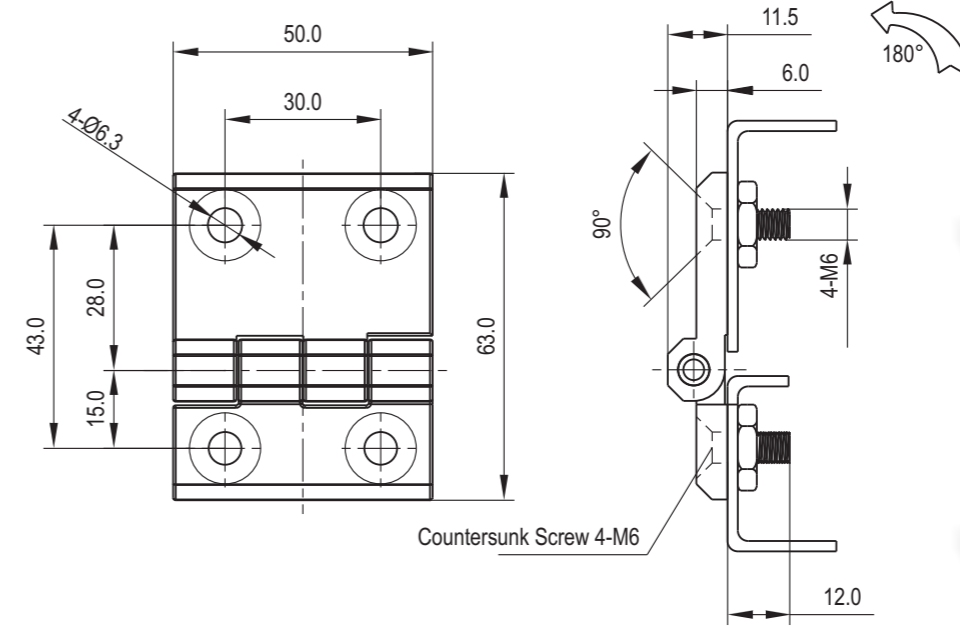
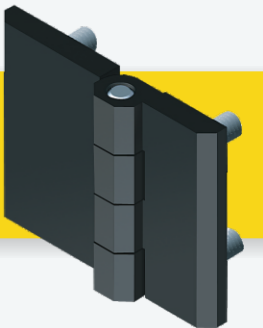
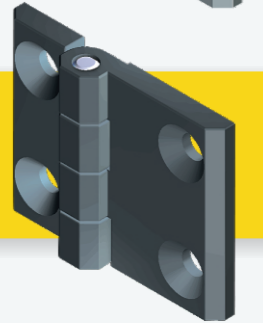
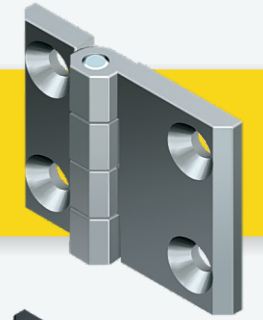


SUS material upon request



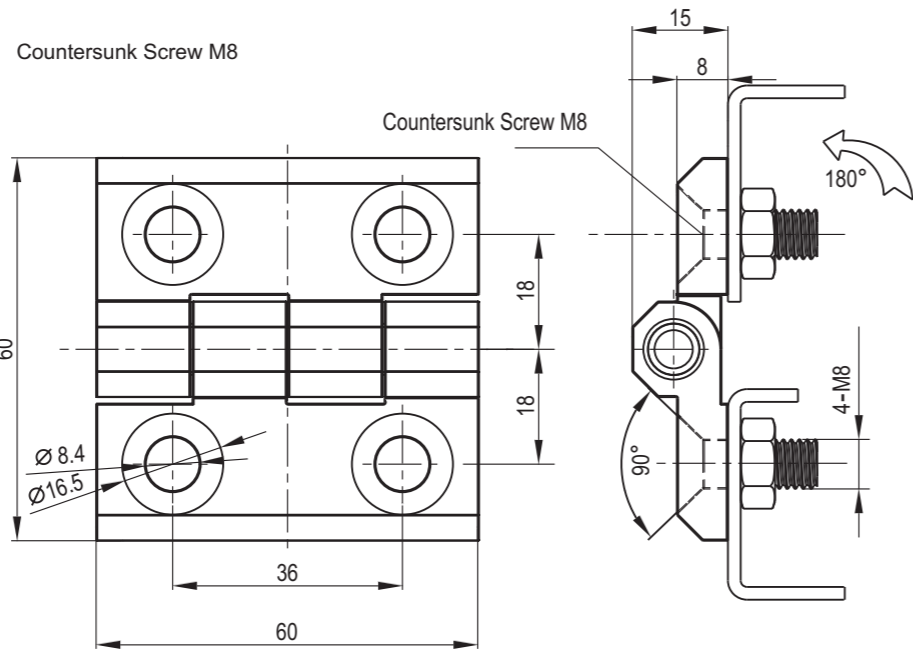
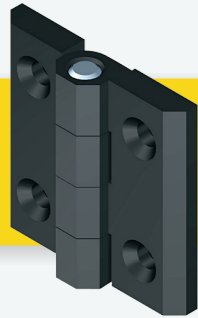
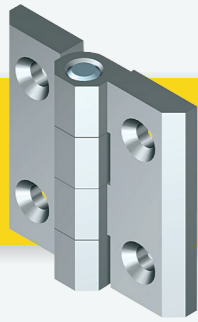
Zinc die, m.s. zinc plated or SUS pin and threaded studs, black powder coated or bright chrome.

Screw-on Hinge 50X76		
Finish	Countersunk Screw M6	With Threaded Studs M6
Black Powder Coated	2101-576-10	2101-5761-20
Bright Chrome	2101-576-30	
SUS 316	2101-576-316	
Textured Chrome Plated		2101-5761-79



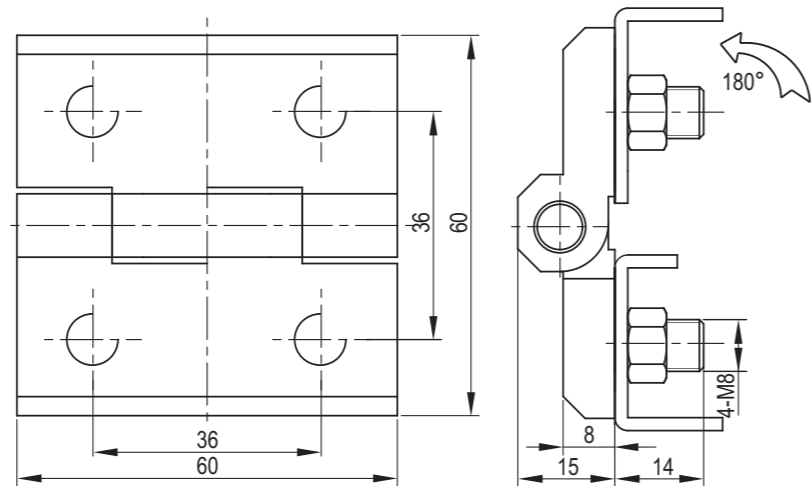
Zinc die, m.s. zinc plated or SUS pin and threaded studs, black powder coated or bright chrome.

Screw-on Hinge		
Finish	Countersunk Screw M6	With Threaded Studs M6
Black Powder Coated	2101-563-10	2101-5631-20
Bright Chrome	2101-563-30	
SUS 316	2101-563-316	
Textured Chrome Plated		2101-5631-79



SUS material upon request

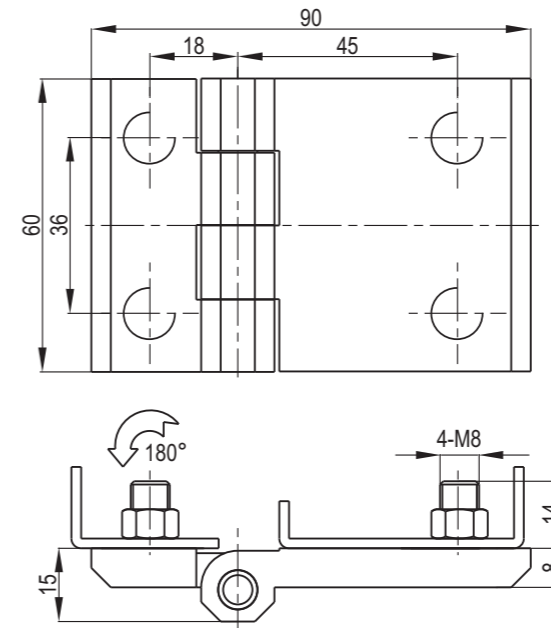
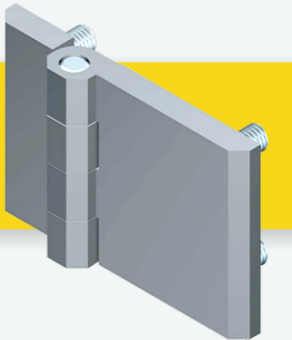
With Threaded Studs M8



SUS material upon request

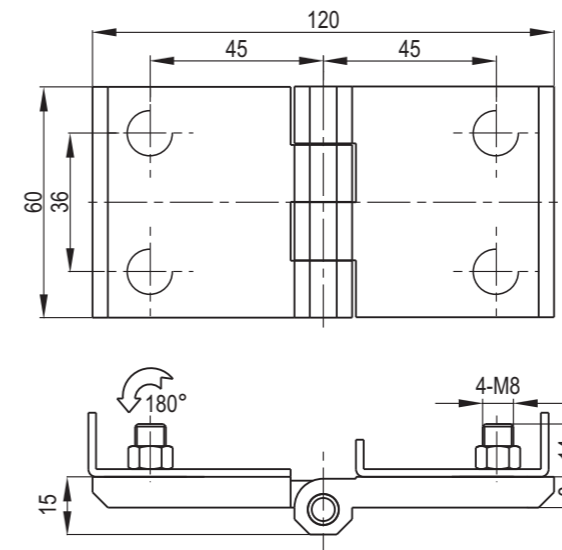
Zinc die, m.s. zinc plated or SUS pin and threaded studs, black powder coated or bright chrome

Screw-on Hinge 60X60		
Finish	Countersunk Screw M8	With Threaded Studs M8
Black Powder Coated	2101-600-10	2101-601-20
Bright Chrome	2101-600-30	
SUS316	2101-600-316	
Textured Chrome Plated		2101-601-79



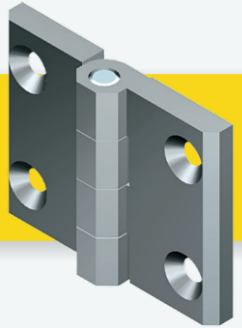
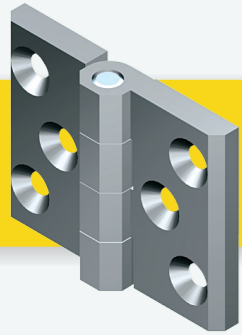
Screw-on Hinge 60X90

Surface	With Threaded Studs M8
Black Textured Powder Coated	2101-691-20
Textured Chrome Plated	2101-691-79

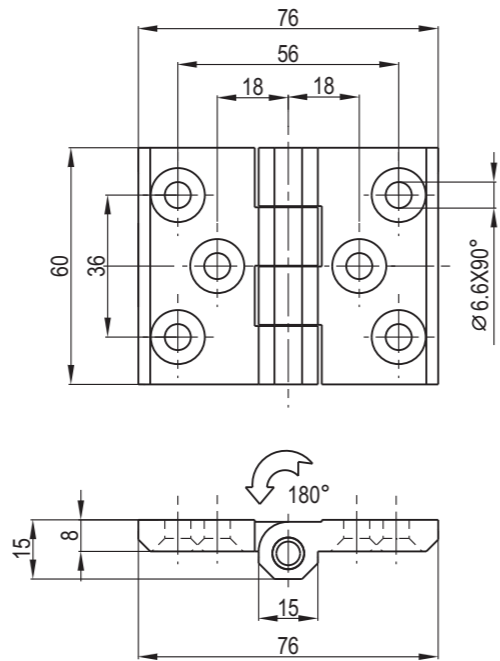
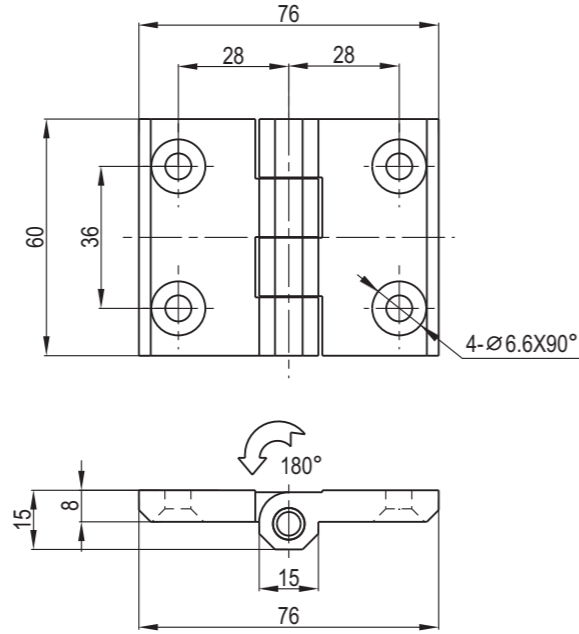


Zinc die, m.s. zinc plated or SUS pin and threaded studs, black powder coated or bright chrome

Screw-on Hinge 60X120	
Finish	With Threaded Studs M8
Black Textured Powder Coated	2101-61201-20
Textured Chrome Plated	2101-61201-79

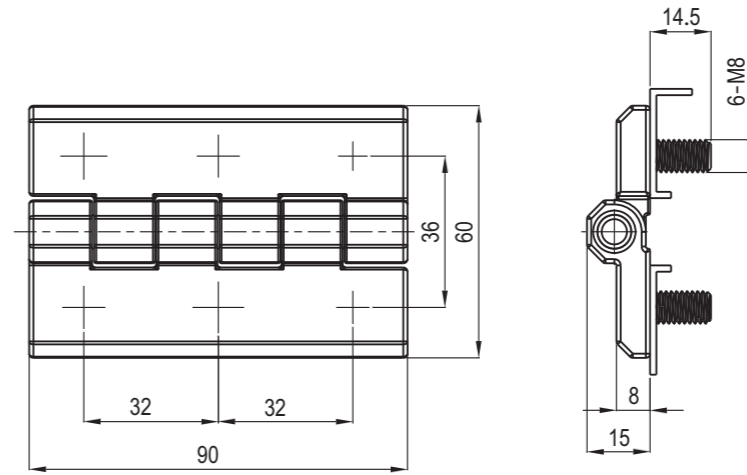
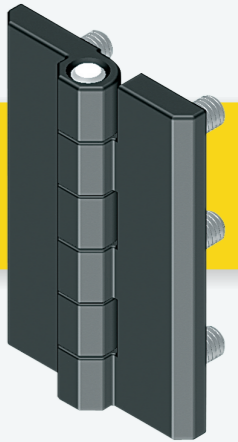


Countersunk Screw M6



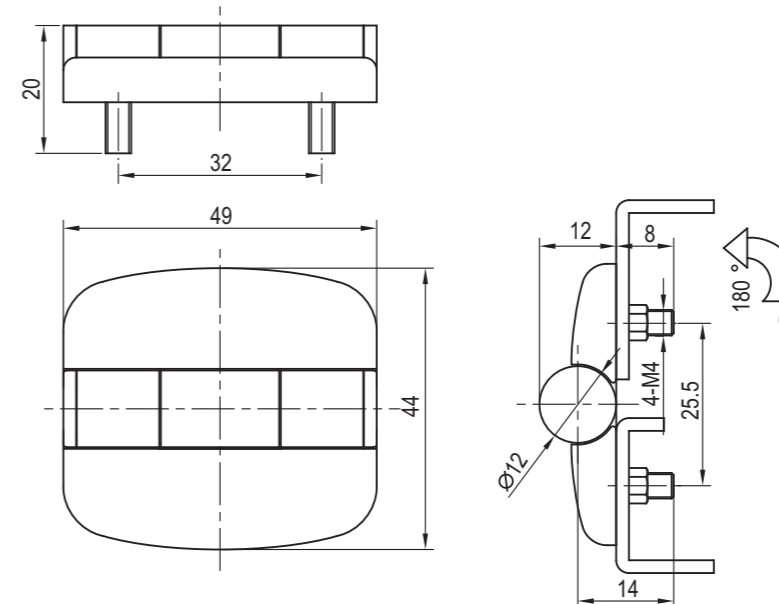
Zinc die, m.s. zinc plated or SUS pin, black powder coated or bright chrome, SUS material upon request

Screw-on Hinge 60X76		
Finish	4 Countersunk Screw hole M6	6 Countersunk Screw hole M6
Black Powder Coated	2101-6764-10	2101-6766-10
Bright Chrome	2101-6764-30	2101-6766-30



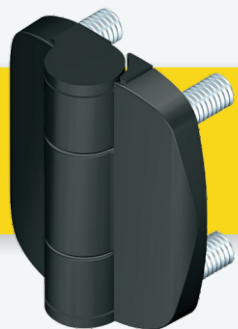
Zinc die, m.s. zinc plated or SUS pin and threaded studs, black powder coated or textured chrome plated

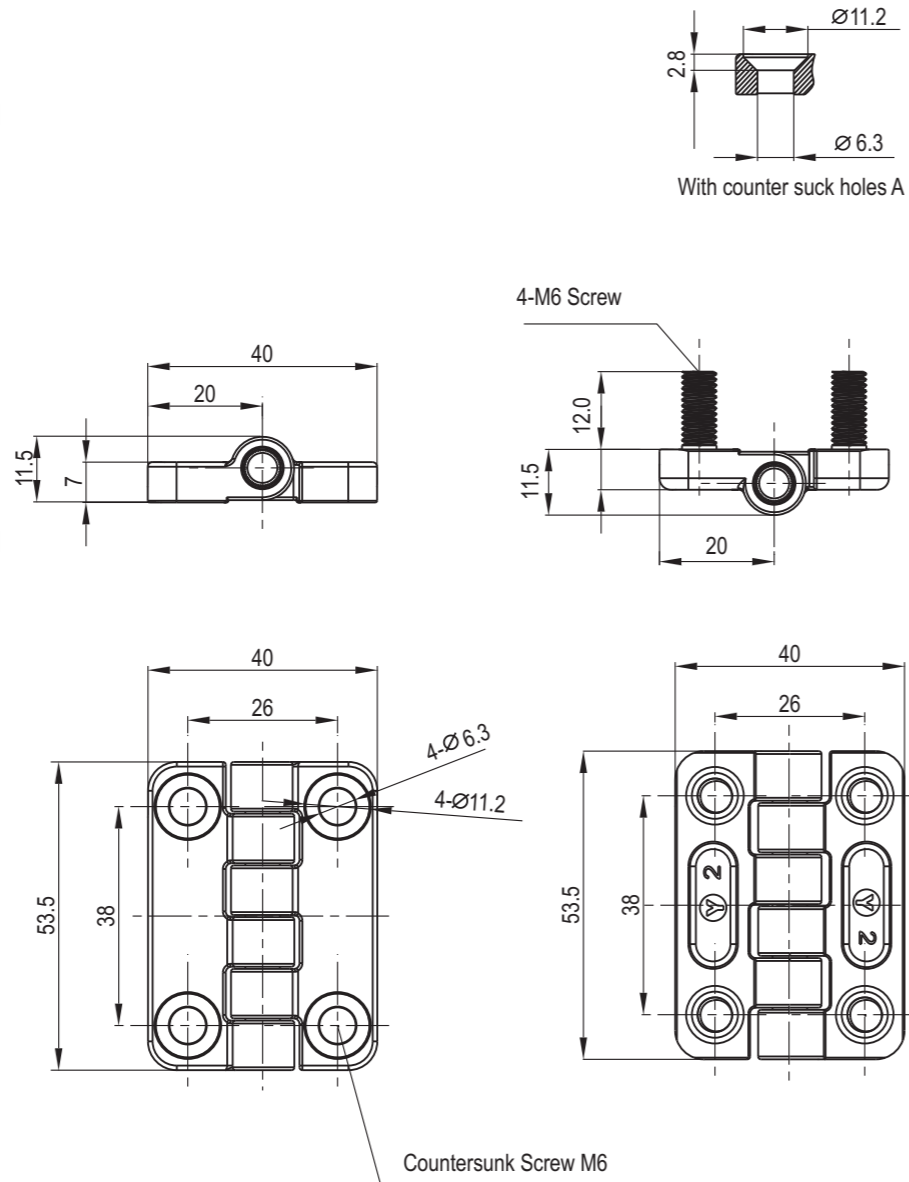
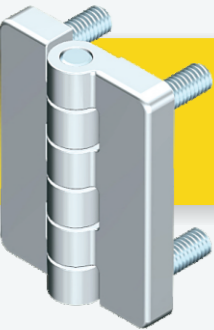
Screw-on Hinge 90X60		
Finish	With Threaded Studs M8	
	Left	Right
Black Powder Coated	2101-961-20L	2101-961-20R
Textured chrome plated	2101-961-79L	2101-961-79R



Nylon black hinge leaves & covers, acetal black hinge pin and pin insert

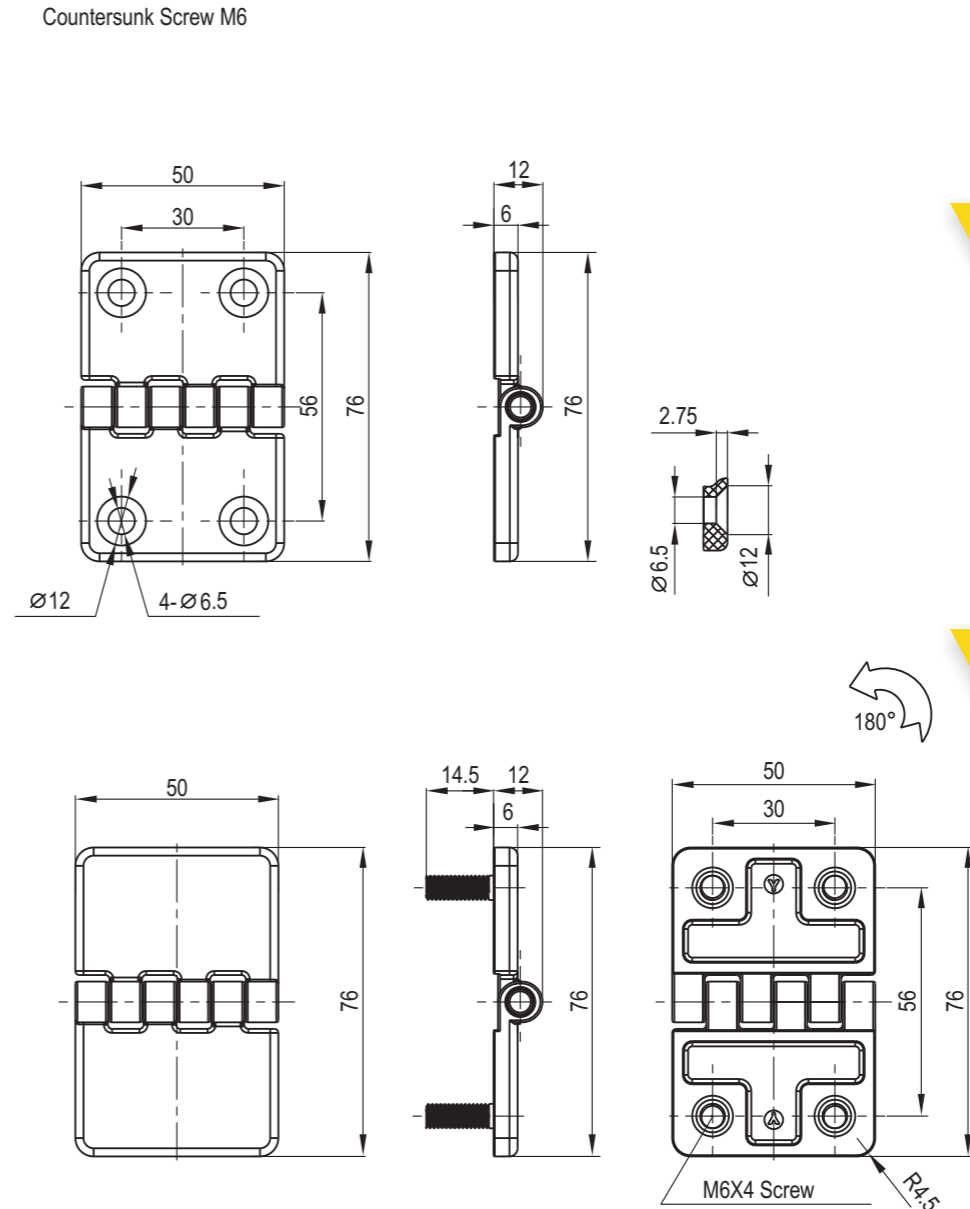
Free-Swinging	Detented open angle
2104-0-90	2104-5-90





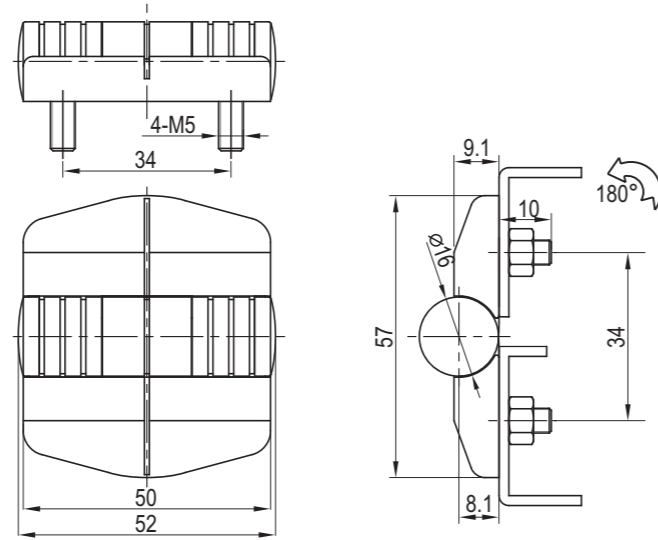
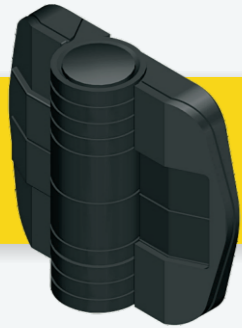
Zinc die, m.s. zinc plated or SUS pin and threaded studs, black powder coated or bright chrome

Screw-on Hinge		
Finish	Countersunk Screw M6	With Threaded Studs M6
Black Powder Coated	2102-540-10	2102-541-20
Bright Chrome	2102-540-30	
Textured Chrome Plated		2102-541-79



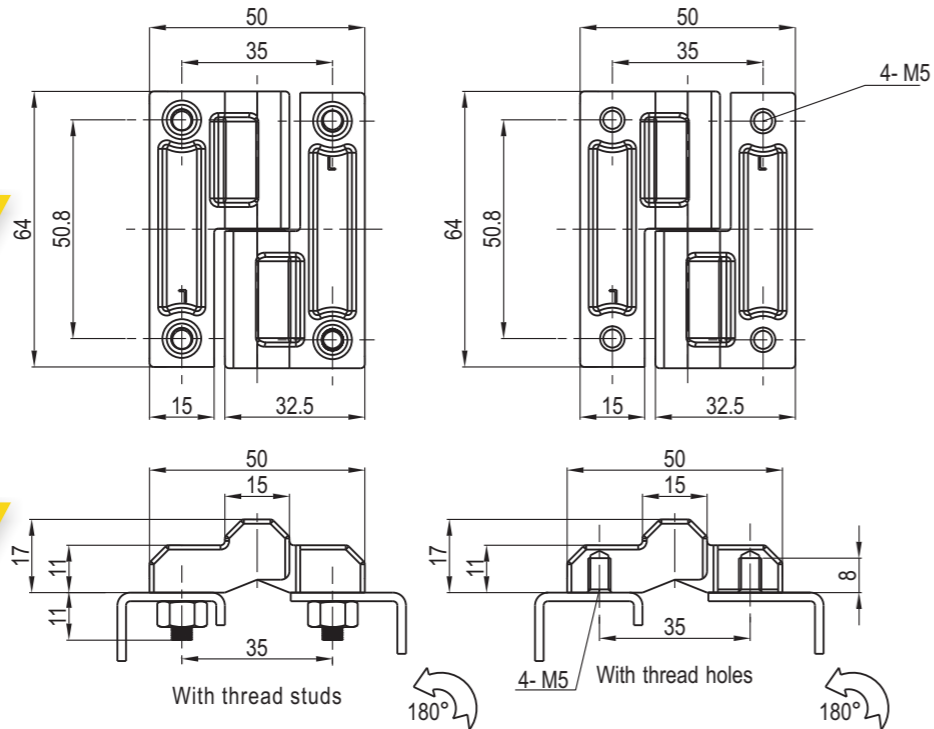
Zinc die, m.s. zinc plated or SUS pin and threaded studs, black powder coated or chrome bright

Screw-on Hinge		
Finish	Countersunk Screw M6	With Threaded Studs M6
Black Powder Coated	2102-760-10	2102-761-20
Bright Chrome	2102-760-30	
Textured Chrome Plated		2102-761-79



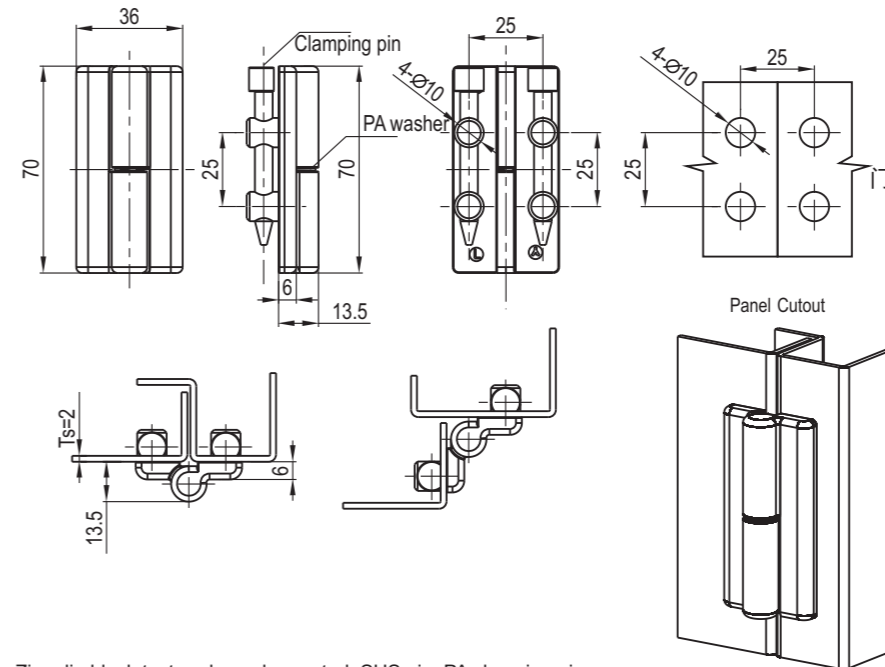
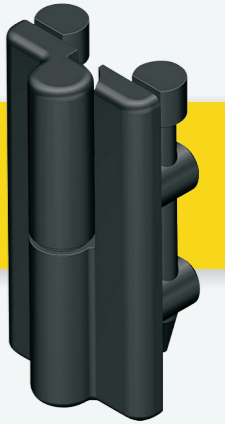
Nylon black hinge leaves & covers, acetal black hinge pin and pin insert

Free-Swinging		2105-0-90	
Positioning Torque N.M	Detented open angle: 80°	Detented open angle: 115°	Detented open angle: 150°
0.7	2105-08007-90	2105-11507-90	2105-1507-90
1.1	2105-08011-90	2105-11511-90	2105-15011-90
1.7	2105-08017-90	2105-11517-90	2105-15017-90



Zinc die, m.s. zinc plated or SUS pin and threaded studs, black powder coated or bright chrome.

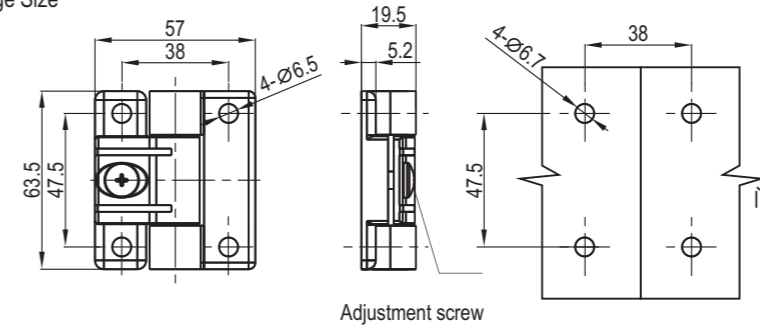
	With thread studs	With thread hole
Version A ( Left )	2106-501-L20	2106-500-L10
Version B ( Right )	2106-501-R20	2106-500-R10



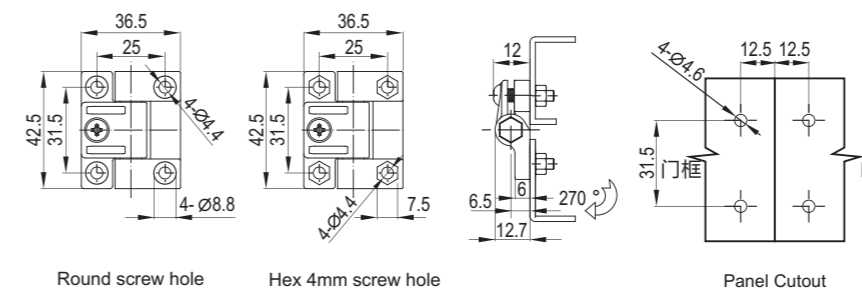
Zinc die, black textured powder coated, SUS pin, PA clamping pin

Left side	2107-L
Right side	2107-R

Large Size

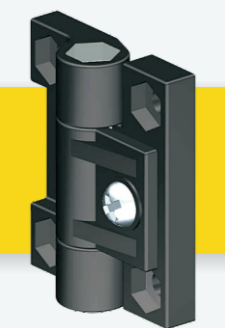


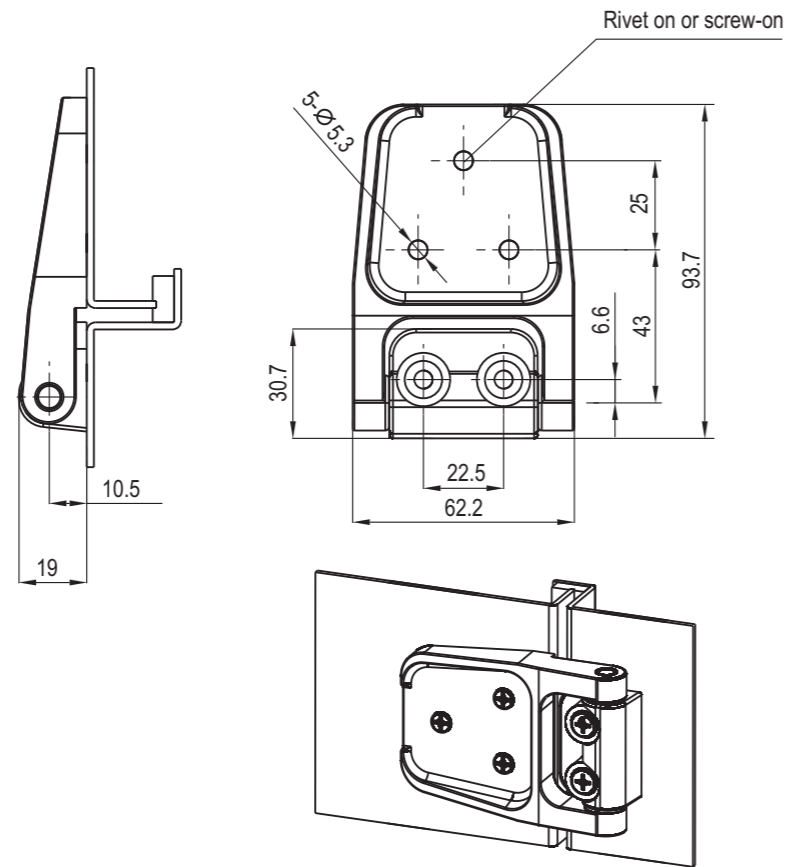
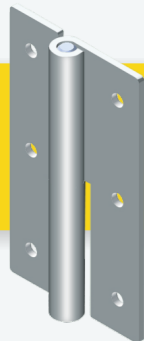
Small Size



Hinge Leaves: Acetal Hinge Pin: Polycarbonate Adjustment screw & nut: stainless steel

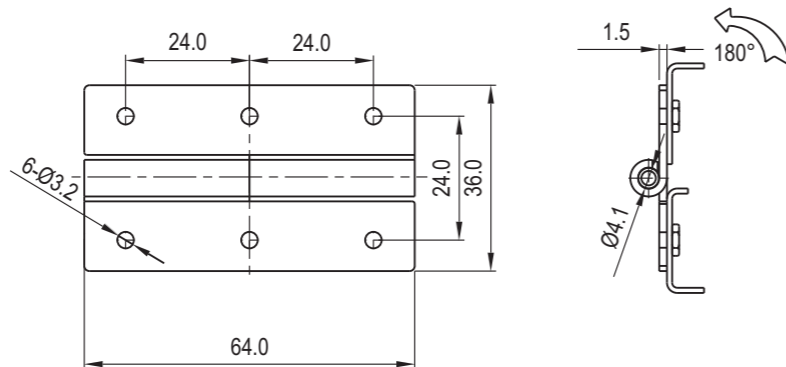
	Black		White	
	Round screw hole	Hex 4mm screw hole	Round screw hole	Hex 4mm screw hole
Large Size	2112-01-BR	2112-01-BS	2112-01-WR	2112-01-WS
Small Size	2112-02-BR	2112-02-BS	2112-02-WR	2112-02-WS





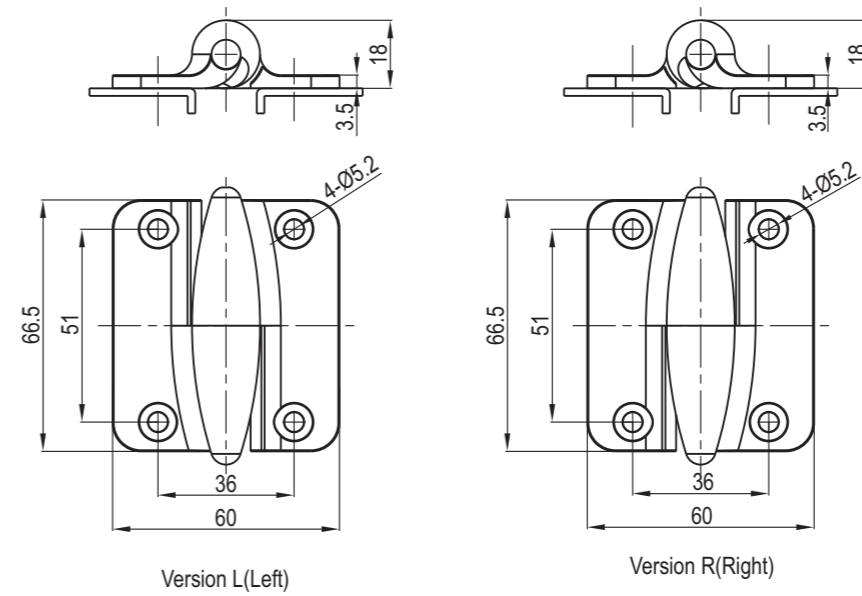
Hinge polyamide GF 30% black, m.s. zinc plated pin

2113-01
---------



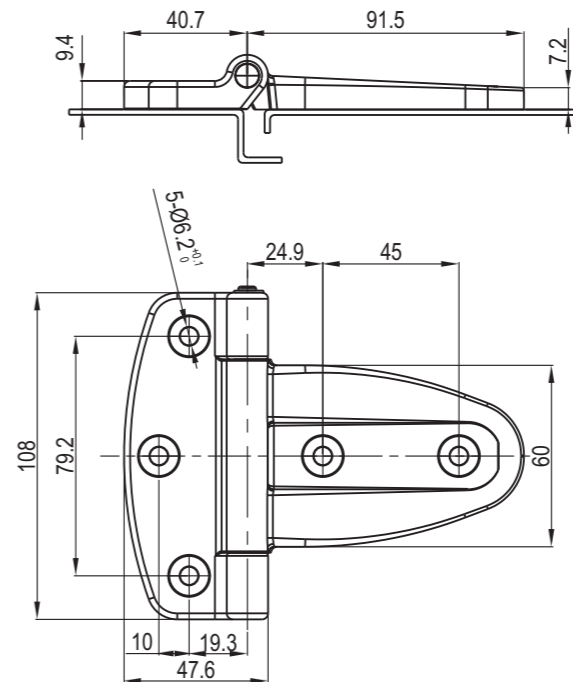
M.S. zinc plated or stainless steel

Screw-on Hinge 64X32		
	Left	Right
SUS 304	2114-01-304L	2114-01-304R
M.S.Zinc Plated	2114-01-01L	2114-01-01R



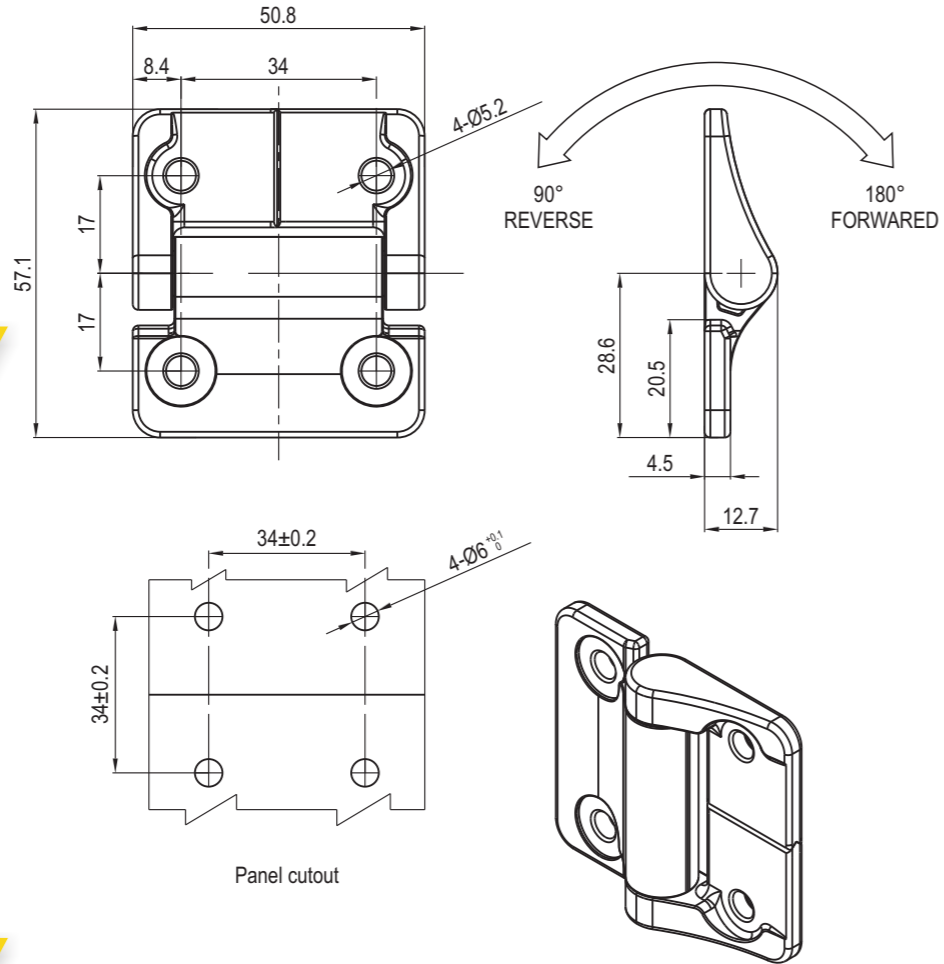
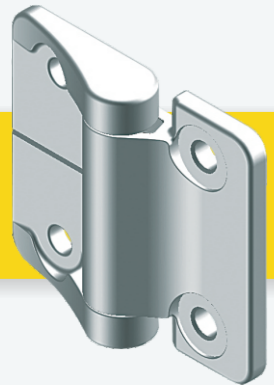
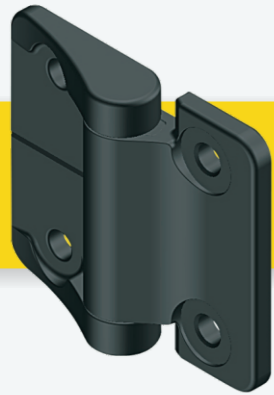
zinc die, m. s. zinc plated or SUS pin, black powder coated or bright chrome

Screw-on Hinge 60X70		
Finish	Left	Right
Black Smooth Powder Coated	2115-76604-10L	2115-76604-10R
Bright Chrome	2115-76604-30L	2115-76604-30R



Hinge polyamide GF 30% black, stainless steel pin

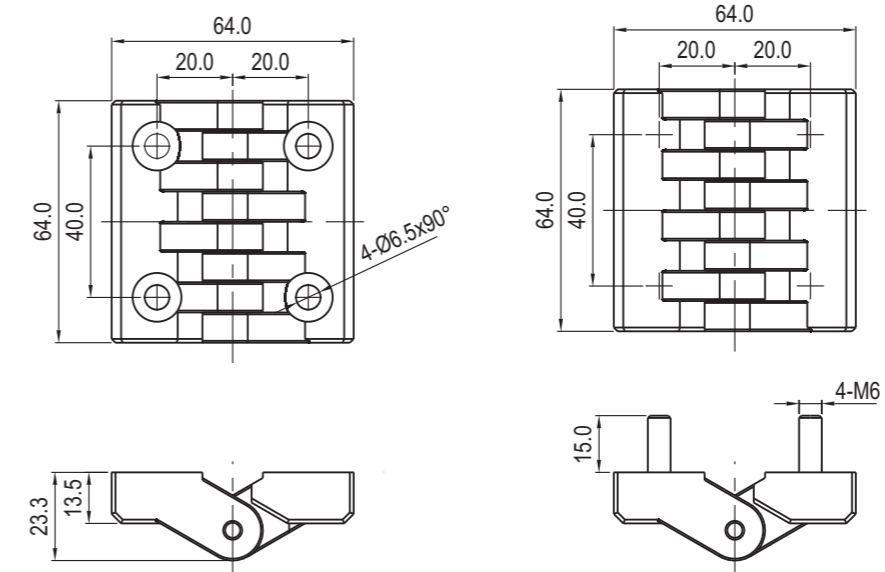
Screw-on Hinge	2116-01-90
----------------	------------



锌合金阻尼铰链, 不锈钢销轴  
Zinc screw-in torque hinge, SUS pin

Symmetric N.m			
		Black Textured Powder Coated	Natural
Free Operating		2118-100-20	2118-100-11
1.8		2118-118-20	2118-118-11
2.3		2118-123-20	2118-123-11
3.4		2118-134-20	2118-134-11
Asymmetric N.m			
Forward Torque N.m	Reverse Torque N.m	Black Textured Powder Coated	Natural
2.3	1.4	2118-123F-20	2118-123F-11
3.4	2.0	2118-134F-20	2118-134F-11
4.5	2.7	2118-145F-20	2118-145F-11
1.4	2.3	2118-114R-20	2118-114R-11
2.0	3.4	2118-120R-20	2118-120R-11
2.7	4.5	2118-127R-20	2118-127R-11

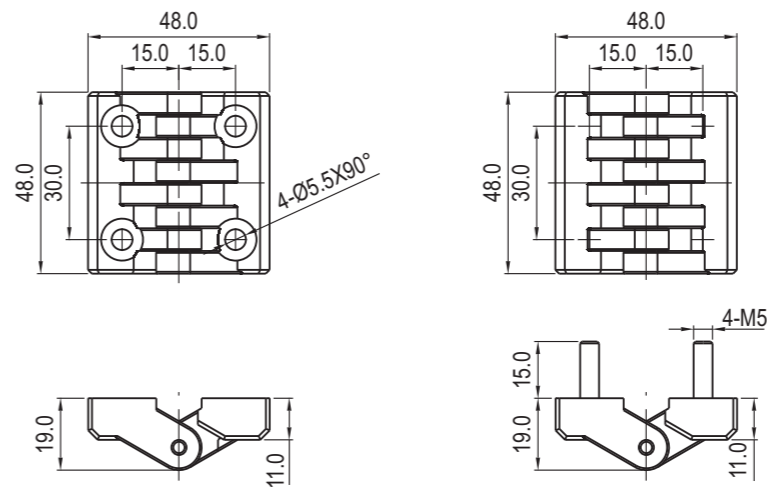
Large size



Screw-on hinge polyamide GF black, pin m.s.zinc plated

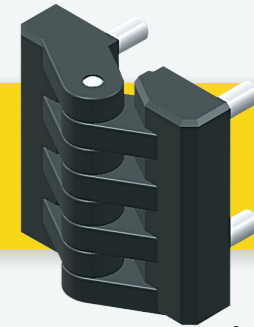
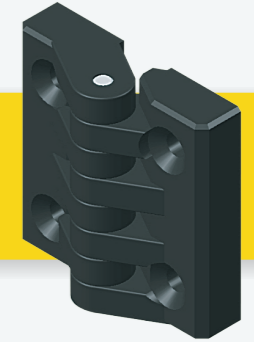
Screw-on Hinge 64X64	
Countersunk Screw M6	With Threaded Studs M6
2120-640-90	2120-641-90

Small size



Screw-on hinge polyamide GF black, pin m.s.zinc plated

Screw-on Hinge 48X48	
Countersunk Screw M5	With Threaded Studs M5
2120-480-90	2120-481-90

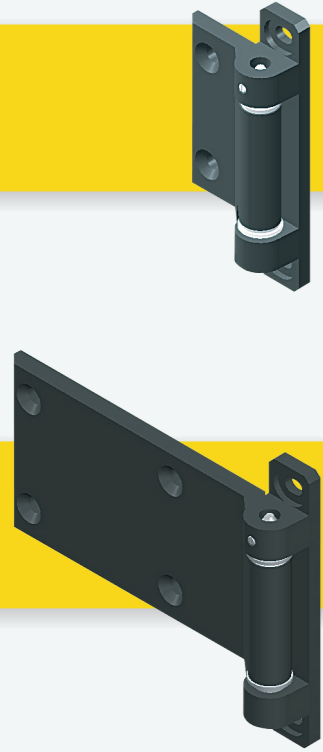


Under development, shall be available on June, 2018.

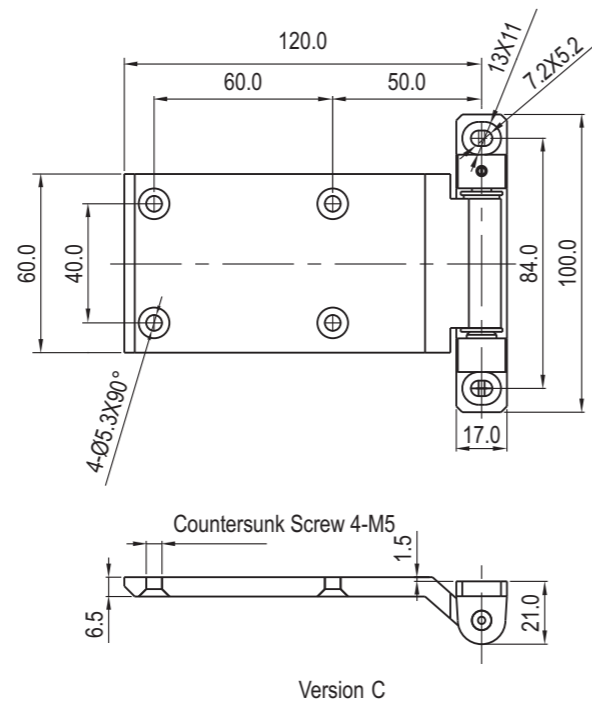
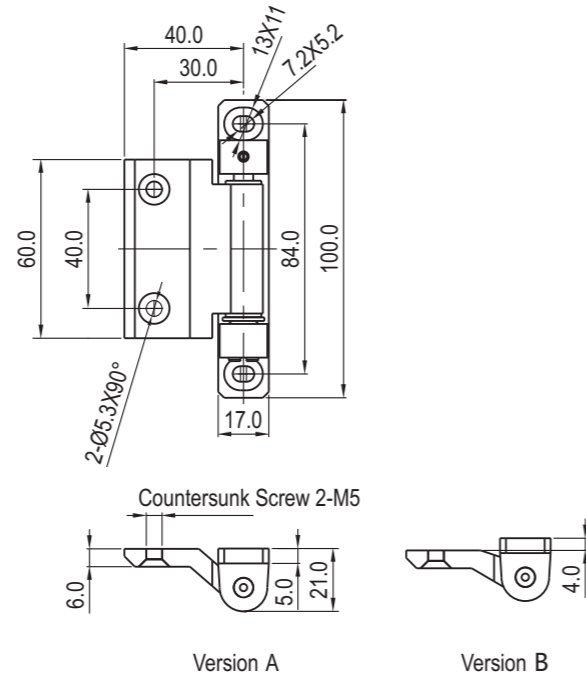


Under development, shall be available on June, 2018.



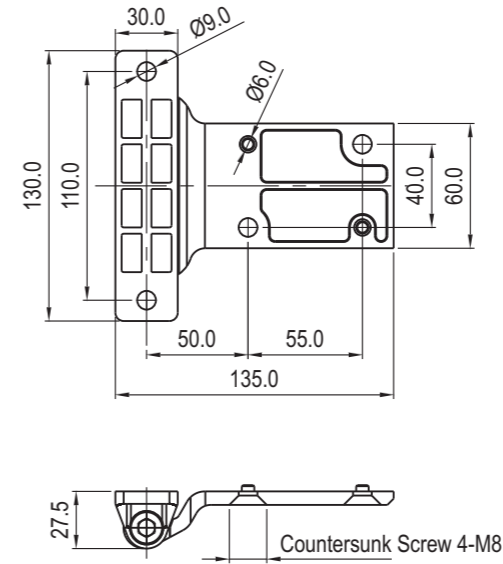
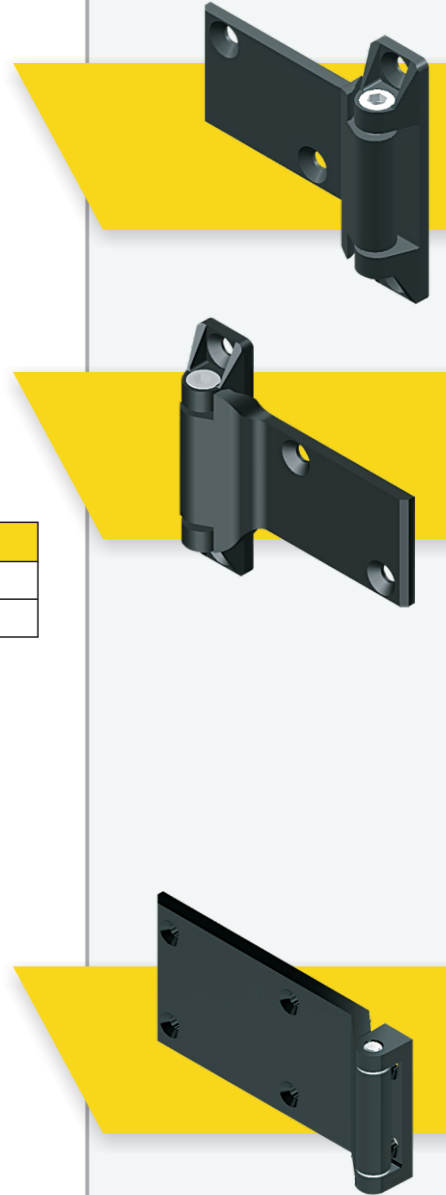


2121-ABC



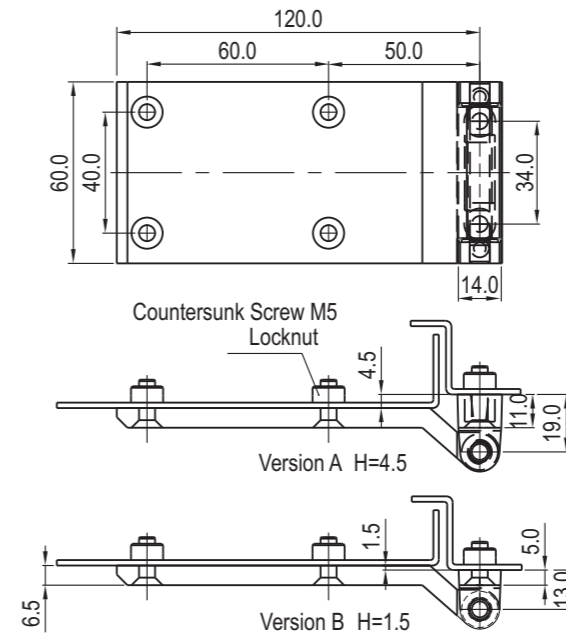
2D screw-on hinge zinc die, shaft brass nickel plated; washer m.s. zinc plated and bush polyamide

Finish	Version A	Version B	Version C
Black textured Powder Coated	2121-01-20	2121-02-20	2121-03-20



3D-screw-on hinge zinc die, shaft and grub screw stainless steel

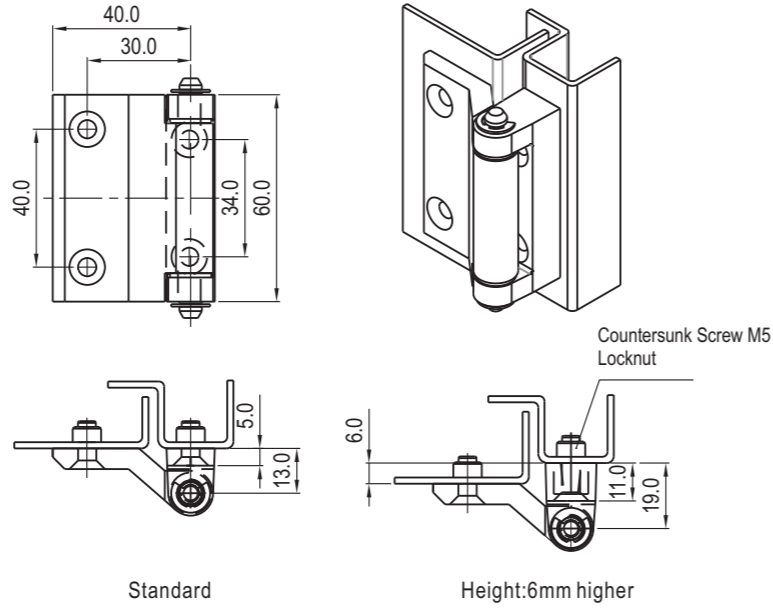
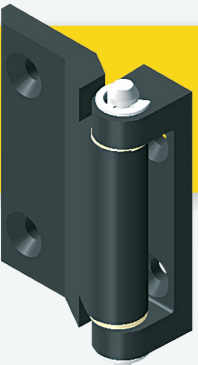
Finish	Left	Right
Black textured Powder Coated	2122-01-20L	2122-01-20R



Screw-on hinge zinc die, pin stainless steel and bushes polyamide

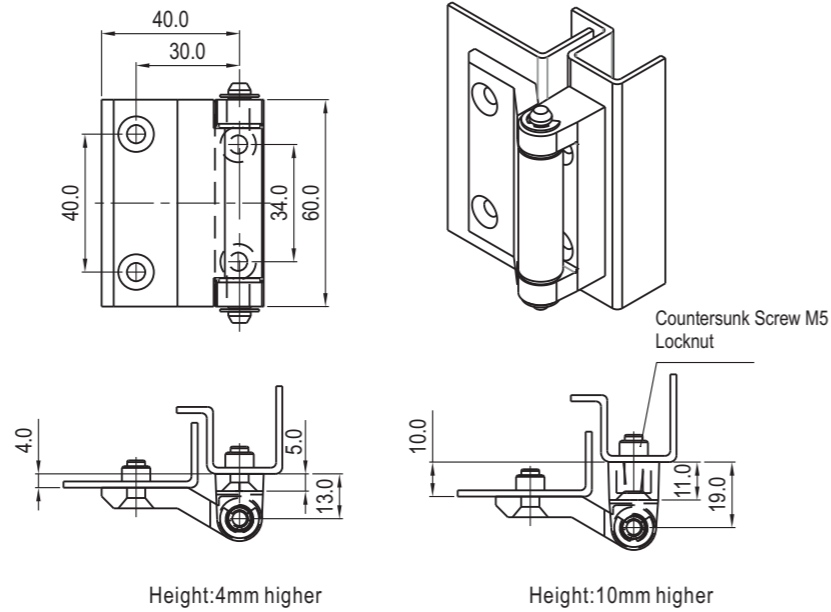
Finish	Version A	Version B
Black textured Powder Coated	2124-01-20	2124-02-20





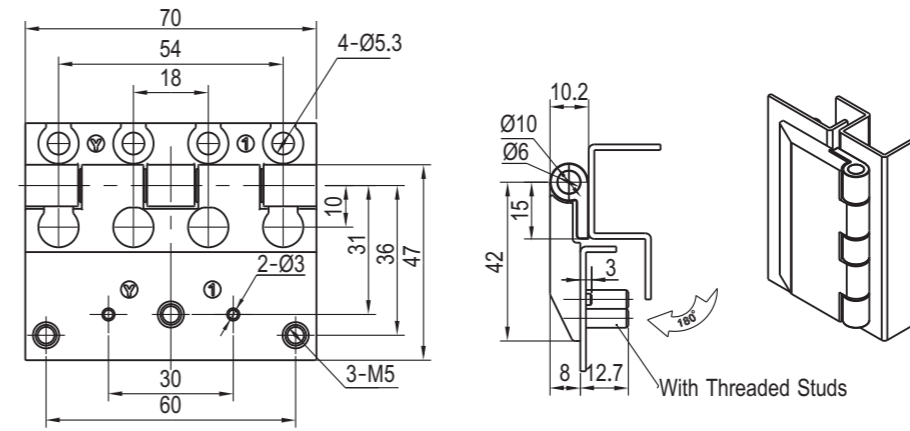
Screw-on hinge zinc die,SUS pin

Finish	U4.5 Level	U27.28 6mm Higher
Black textured Powder Coated	2123-01-20	2123-02-20
Bright Chrome	2123-01-30	2123-02-30
SUS 316	2123-01-316	



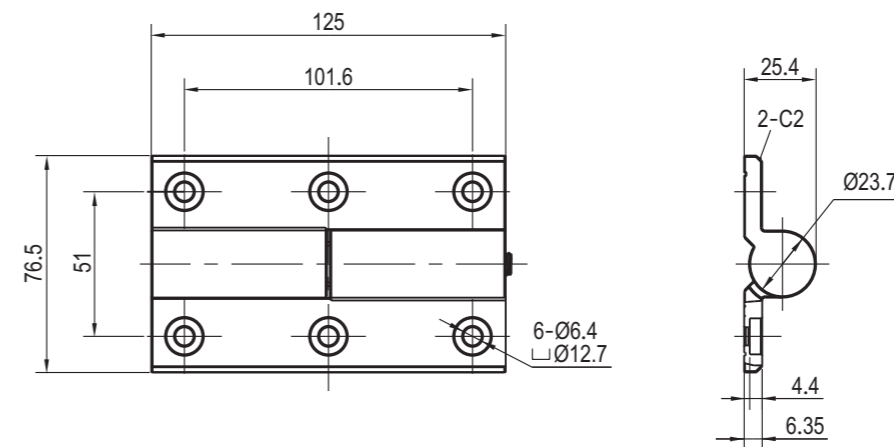
Screw-on hinge zinc die,SUS pin

Finish	U7.10 4mm Higher	U19.20 10mm Higher
Black textured Powder Coated	2123-03-20	2123-04-20
Right chrome	2123-03-30	2123-04-30



Zinc die,SUS pin and with threaded studs,black textured powder coated or NM spray painting (matte silver)

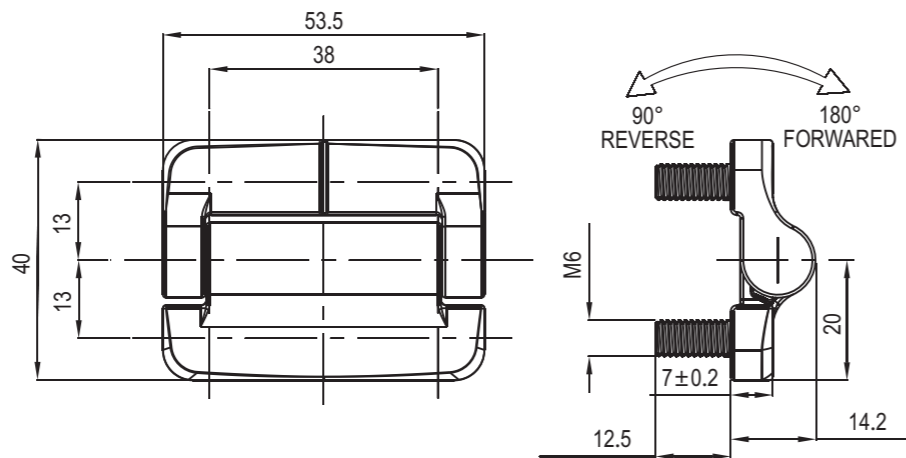
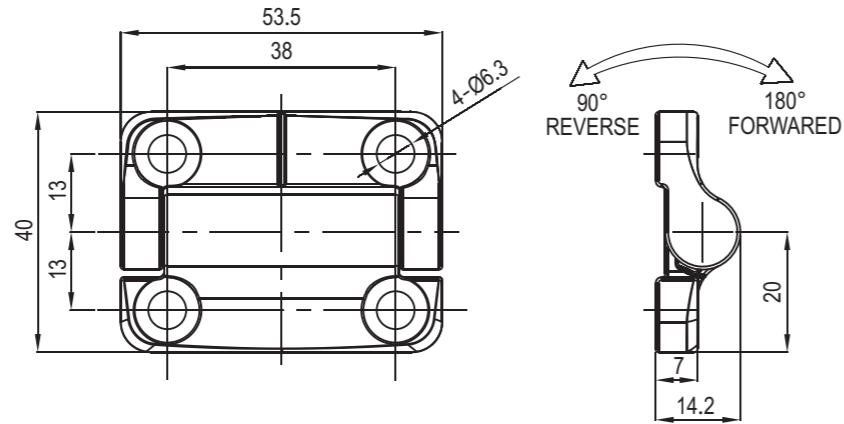
Finish	With Threaded Studs M5
Black Textured Powder Coated	2125-701-20
NM spray painting (matte silver)	2125-701-52



Zinc die,SUS pin and screw,black smooth powder coated or grey textured powder coated RAL7005

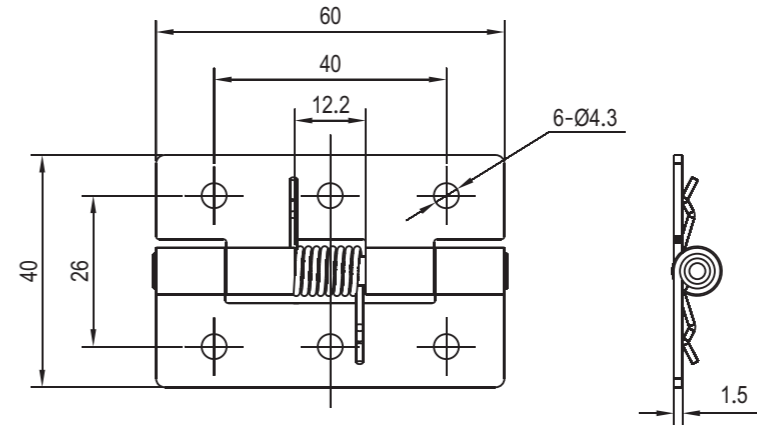
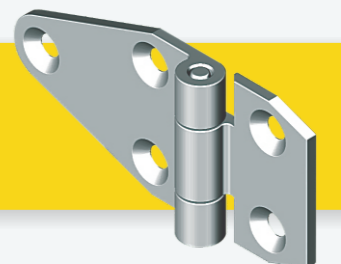
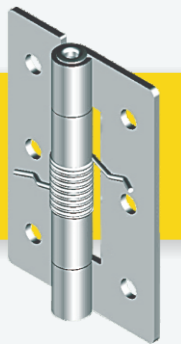
	Countersunk Screw-on Hinge M6	
Finish	Left Handle	Right Handle
Black Smooth Powder Coated	2126-765-10L	2126-765-10R
Powder Coated RAL7005	2126-765-53L	2126-765-53R





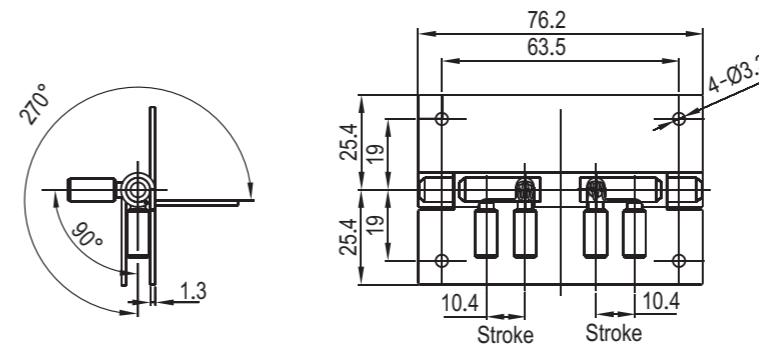
Zinc screw-in torque hinge, SUS pin

Symmetric N.m	Screw-on Hinge	
	Black Textured Powder Coted	With Threaded Studs M6 Black Textured Powder Coted
1.8	2127-5180-20	2127-5181-20
2.3	2127-5230-20	2127-5231-20
3.4	2127-5340-20	2127-5341-20



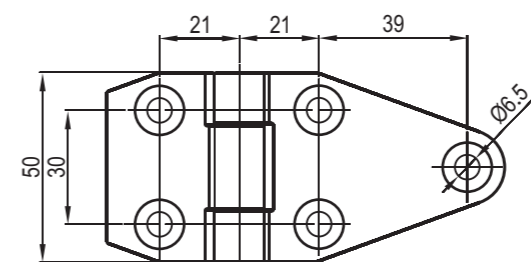
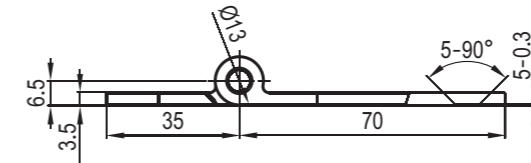
SUS304 Material

SUS304	2128-600-304
--------	--------------



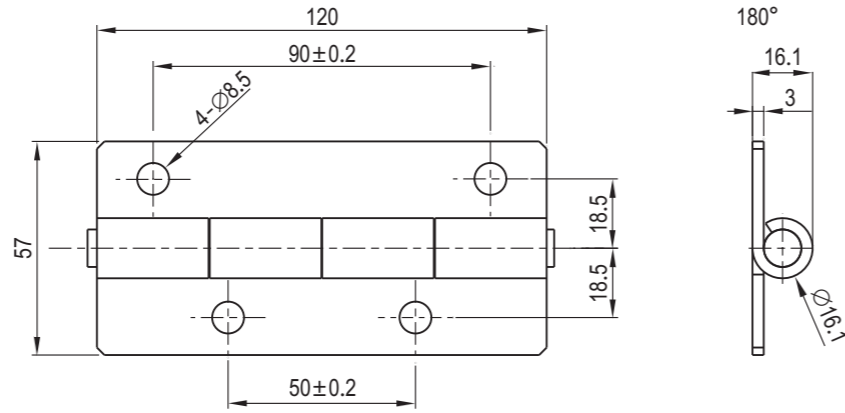
M.S.Zinc plated or stainless steel

SUS 304	Steel
2129-762-304	2129-762-01



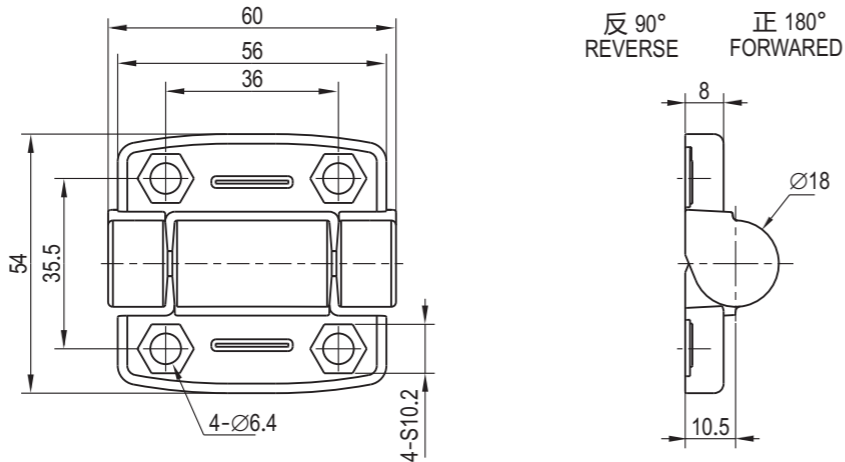
Steel casting, zinc plated

Steel casting, zinc plated	2132-500-01
----------------------------	-------------



SUS 304 Material

SUS 304	2133-120-304
---------	--------------



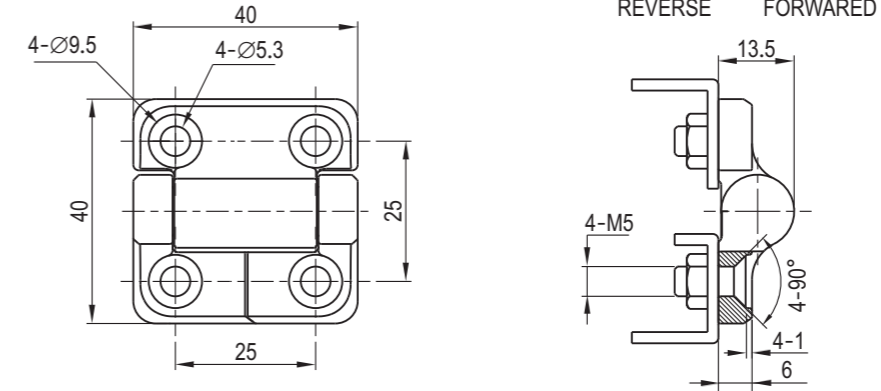
PA6+30%GF Black , bearing steel

Asymmetric N.m		
Forward Torque N.m	Reverse Torque N.m	PA Black
2.3	0.3	2135-6023F-90
0.3	2.3	2135-6003R-90

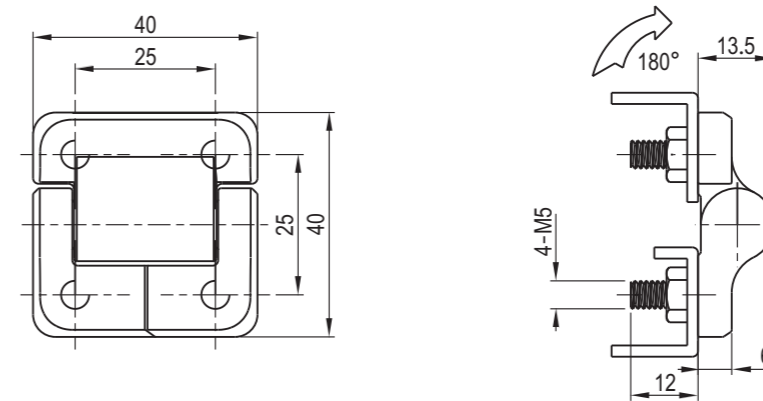
**Technical requirements:**  
1. Within 20% of torque specification;  
2. Within 20,000 cycles static torque stay;



Countersunk Screw M5



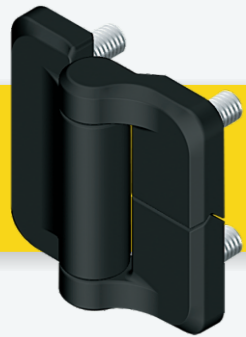
With Threaded Studs M5



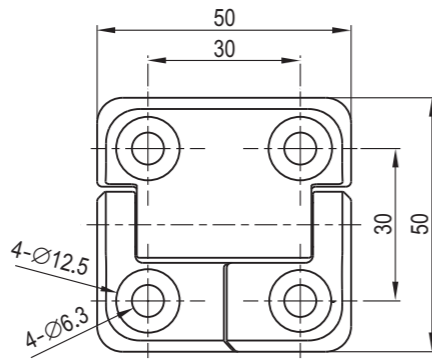
Zinc screw-in torque hinge, SUS pin  
Symmetric N.m

	Black Textured Powder Coated	
	Countersunk Screw M5	With Threaded Studs M5
Free Operating	2136-4000-20	2136-4100-20
0.9	2136-4009-20	2136-4109-20
1.4	2136-4014-20	2136-4114-20
1.8	2136-4018-20	2136-4118-20
2.3	2136-4023-20	2136-4123-20

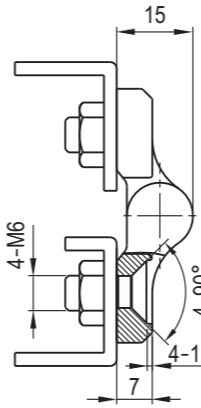
**CYCLE LIFE:**  
Within 25,000 cycles static torque stay  
Within ±20% of torque specification.



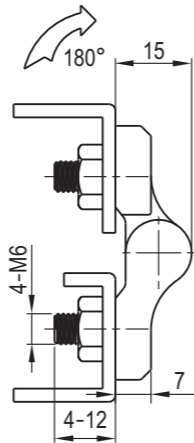
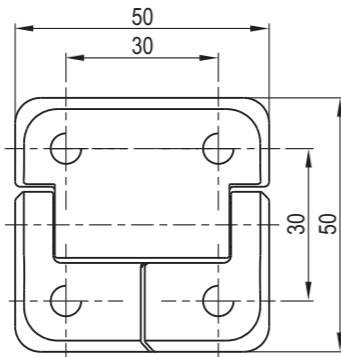
Countersunk Screw M6



90° 180°  
REVERSE FORWARDED



With Threaded Studs M6



Zinc screw-in torque hinge,SUS pin

Symmetric N.m

	Black Textured Powder Coated	
	Countersunk Screw M6	With Threaded Studs M6
Free Operating	2136-5000-20	2136-5100-20
1.8	2136-5018-20	2136-5118-20
2.3	2136-5023-20	2136-5123-20
3.4	2136-5034-20	2136-5134-20

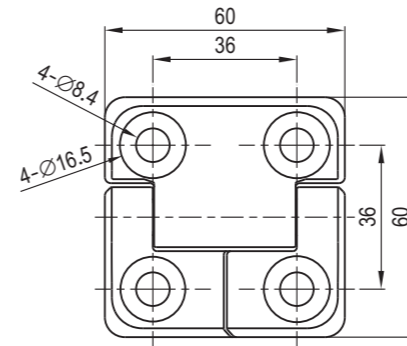
Asymmetric N.m

Forward Torque N.m	Reverse Torque N.m	Black Textured Powder Coated	
		Countersunk Screw M6	With Threaded Studs M6
2.3	1.4	2136-5023F-20	2136-5123F-20
3.4	2.0	2136-5034F-20	2136-5134F-20
4.5	2.7	2136-5045F-20	2136-5145F-20
1.4	2.3	2136-5014R-20	2136-5114R-20
2.0	3.4	2136-5020R-20	2136-5120R-20
2.7	4.5	2136-5027R-20	2136-5127R-20

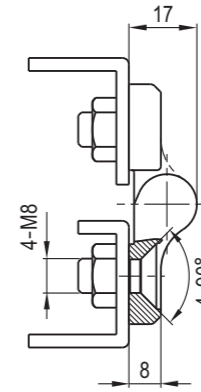
**CYCLE LIFE:**  
Within 25 , 000 cycies static torque stay  
Within±20% of torque specifcaton.



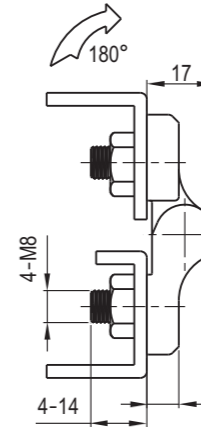
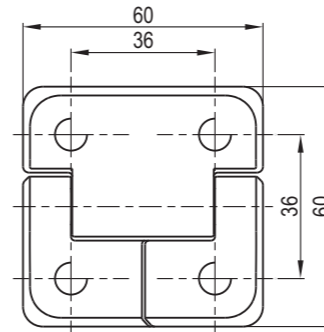
Countersunk Screw M8



90° 180°  
REVERSE FORWARDED



With Threaded Studs M8



Zinc screw-in torque hinge,SUS pin

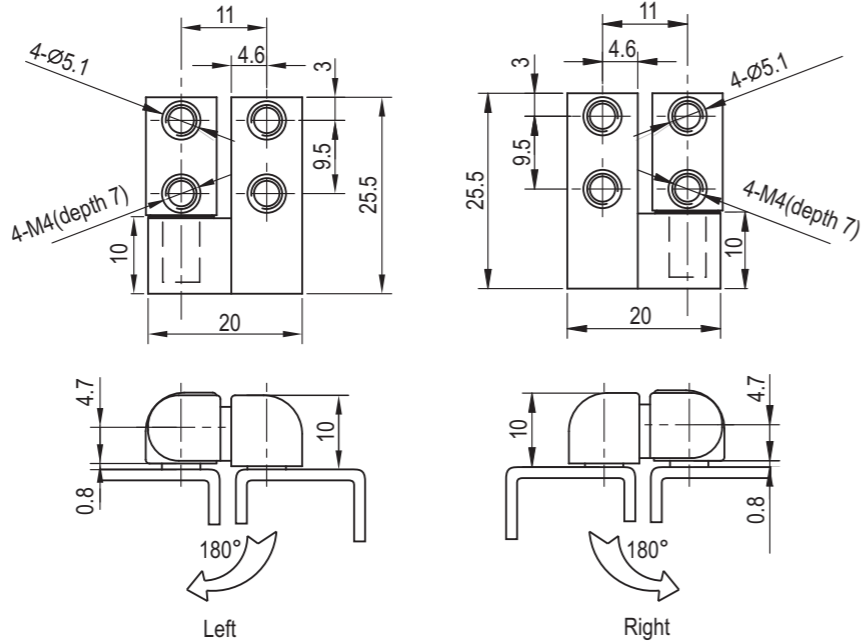
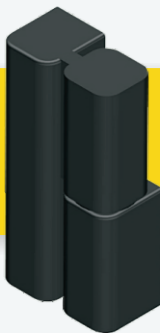
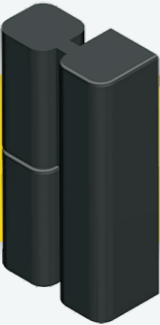
Symmetric N.m

	Black Textured Powder Coated	
	Countersunk Screw M8	With Threaded Studs M8
Free Operating	2136-6000-20	2136-6100-20
1.36	2136-6013-20	2136-6113-20
2.26	2136-6022-20	2136-6122-20
3.16	2136-6031-20	2136-6131-20
4.07	2136-6040-20	2136-6140-20

Asymmetric N.m

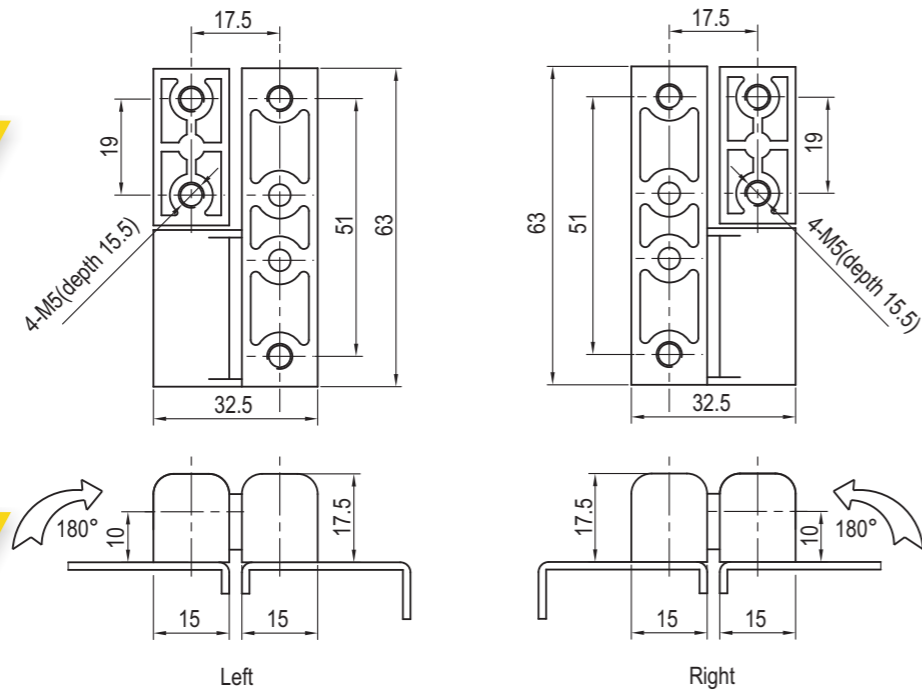
Forward Torque N.m	Reverse Torque N.m	Black Textured Powder Coated	
		Countersunk Screw M8	With Threaded Studs M8
2.3	1.4	2136-6023F-20	2136-6123F-20
3.2	1.9	2136-6032F-20	2136-6132F-20
4.1	2.4	2136-6041F-20	2136-6141F-20
5	3	2136-6050F-20	2136-6150F-20
1.4	2.3	2136-6014R-20	2136-6114R-20
1.9	3.2	2136-6019R-20	2136-6119R-20
2.4	4.1	2136-6024R-20	2136-6124R-20
3	5	2136-6030R-20	2136-6130R-20

**CYCLE LIFE:**  
Within 25 , 000 cycies static torque stay  
Within±20% of torque specifcaton.



Zinc die, black powder coated

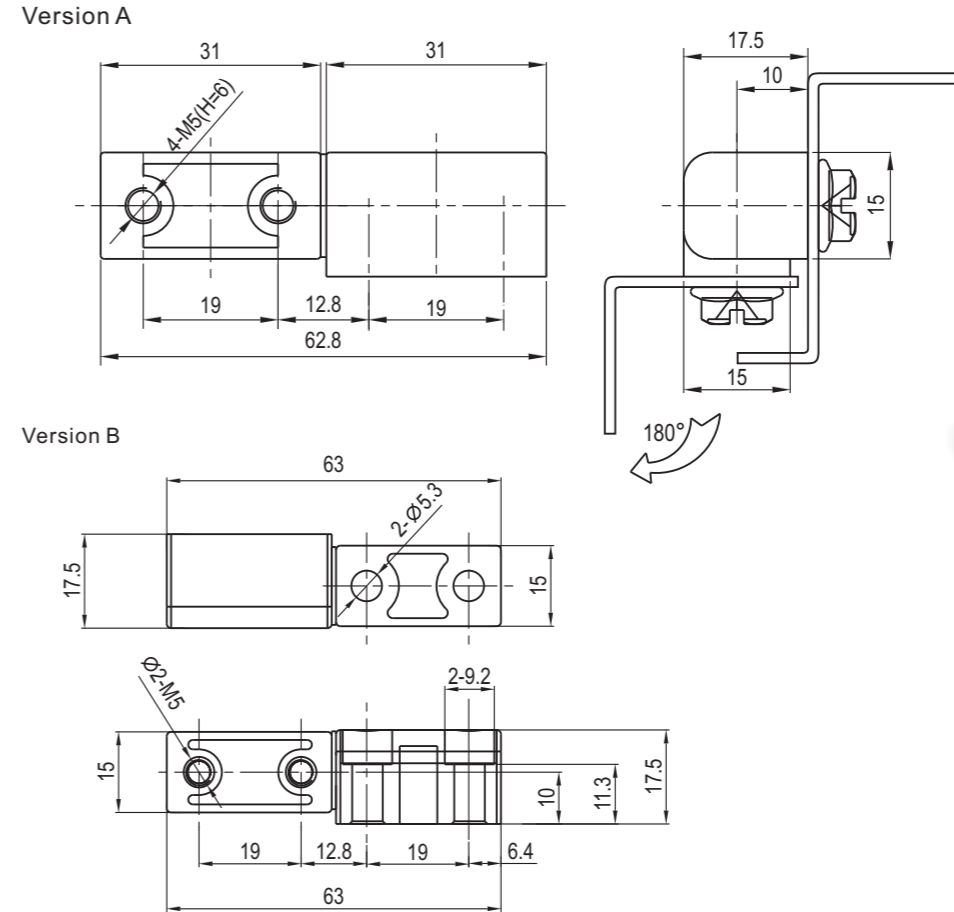
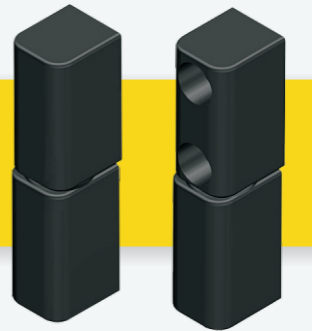
Screw Hole M4		Screw Hole 6-32	
Version A(Left)	Version B(Right)	Version A(Left)	Version B(Right)
2201-141	2201-142	2201-111	2201-112



Zinc die, black powder coated or bright chrome

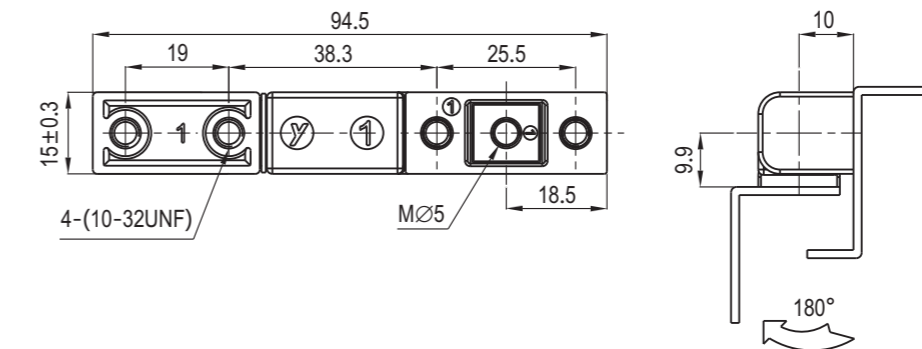
10-32 thread is on request

	Black Powder Coated	Bright Chrome
Version A (Left)	2201-510-10	2201-510-30
Version B (Right)	2201-520-10	2201-520-30



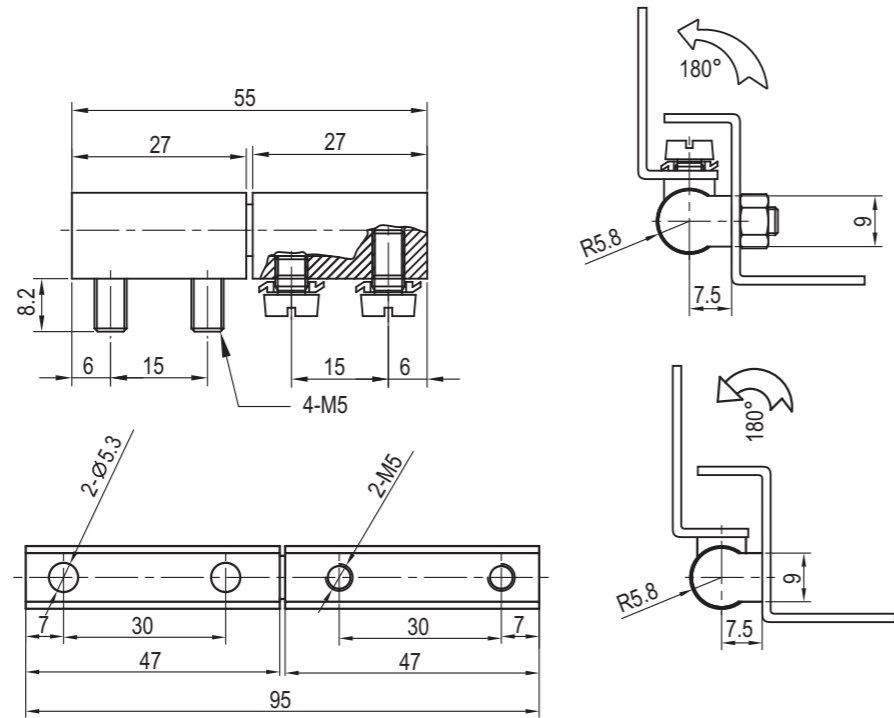
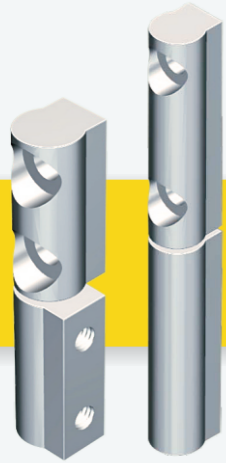
Zinc die, black powder coated or bright chrome

	Black Powder Coated	Bright Chrome
Version A	2201-500-10	2201-500-30
Version B	2201-501-10	2201-501-30



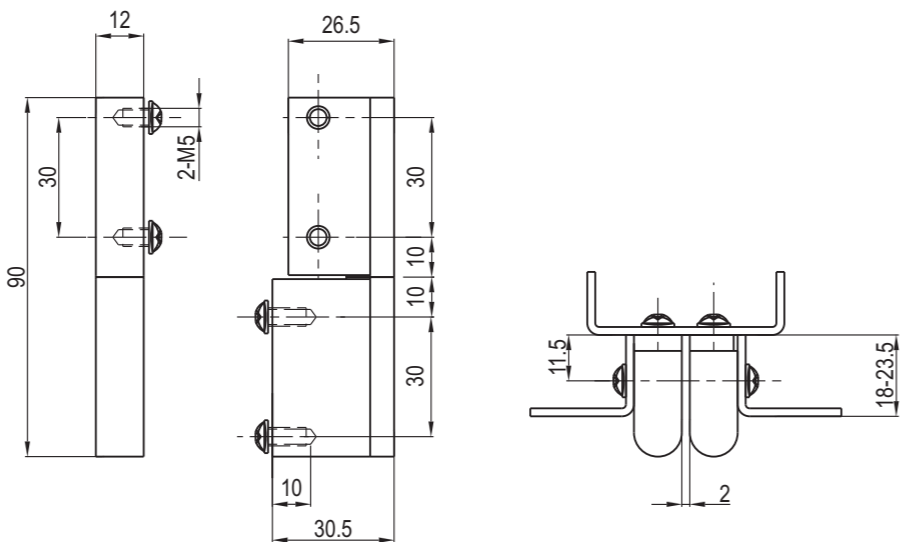
Zinc die, black powder coated or bright chrome.

Install Style Coated	Tapped Hole	Black Powder	Bright Chrome
Front-mount Hing	Thru hole	2201-572-20	2201-572-30
Concealed-mount	M5X0.8	2201-570-220	2201-570-230
	Hinge 10-32	2201-570-120	2201-570-130



M.S. zinc plated, SUS cover

Length	
L=55	2204-55
L=95	2204-95

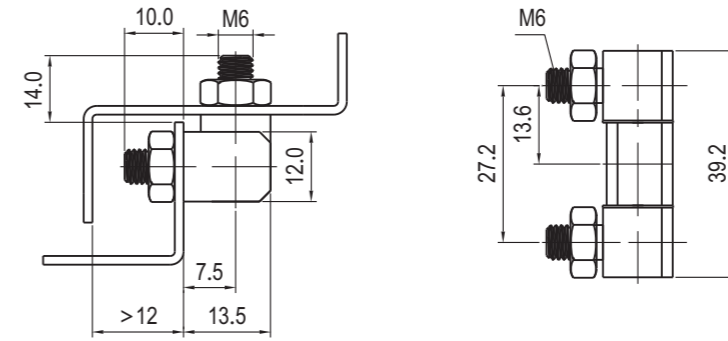


Zinc die, black powder coated or bright chrome, m.s. zinc plated or SUS pin.

Black Textured Powder Coated	Bright Chrome
2206-20	2206-30



Small size



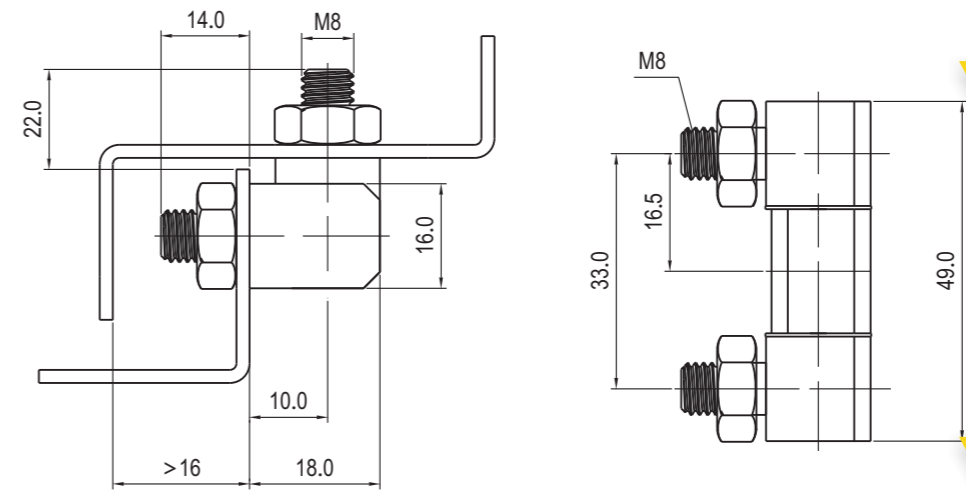
Two Joints

Three Joints

Stainless steel or m.s. zinc plated

Version	L	Stainless steel	Steel
Two Joints	L=25.6	2207-256-304	2207-256-01
Three Joints	L=39.2	2207-392-304	2207-392-01

Large size

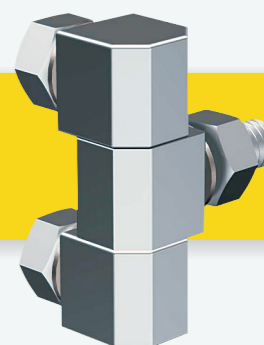
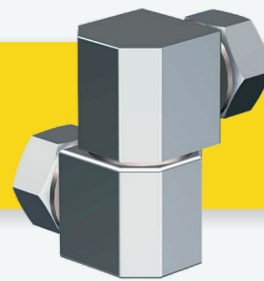
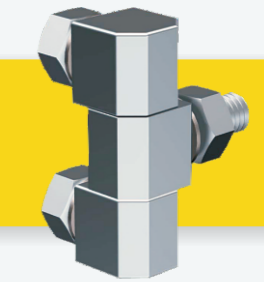
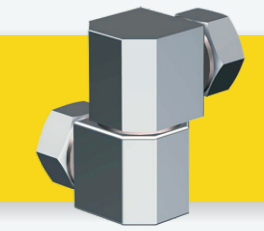


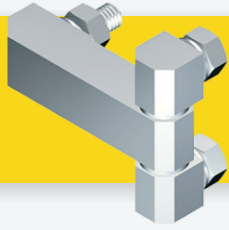
Two Joints

Three Joints

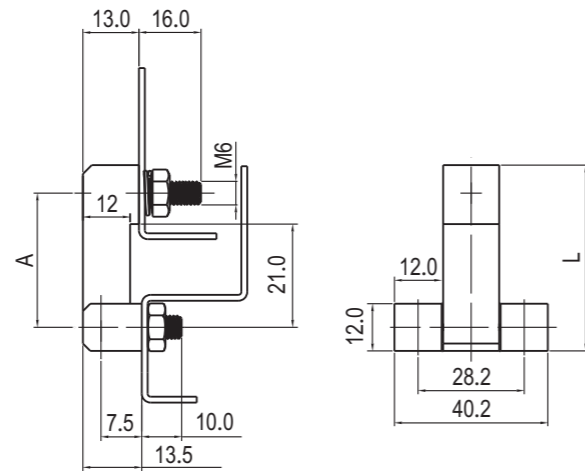
Stainless steel or m.s. zinc plated

Version	L	Stainless steel	Steel
Two Joints	L=32.5	2207-325-304	2207-325-01
Three Joints	L=49	2207-490-304	2207-490-01

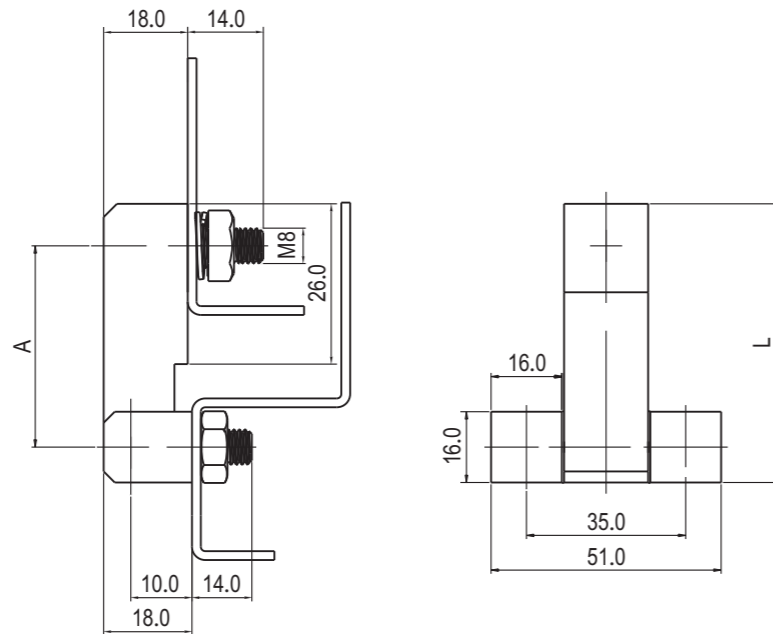




Small size

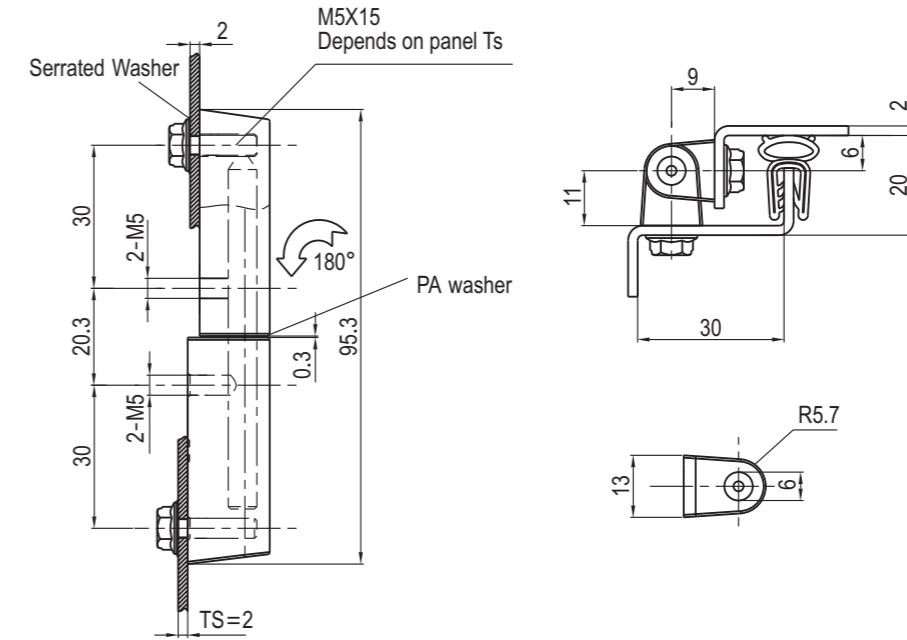


Large size



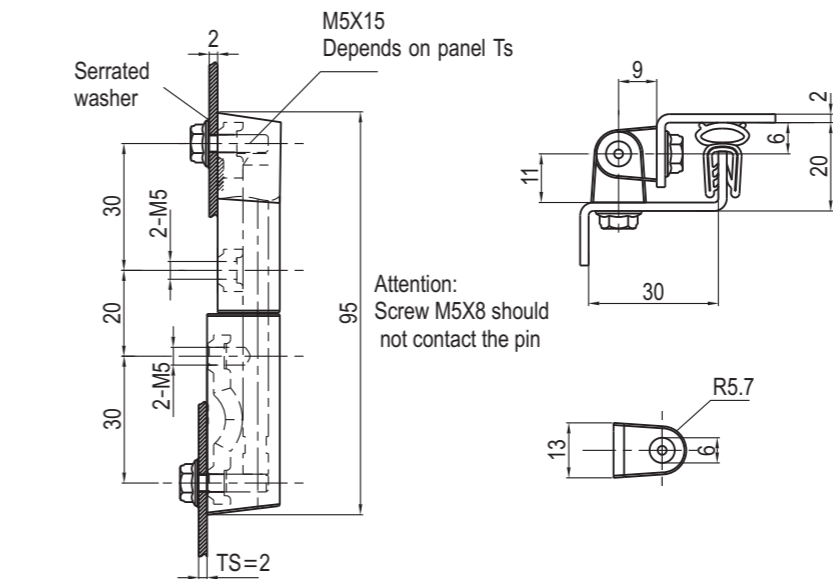
Stainless steel or m.s. zinc plated

	Version	L	A	Stainless steel	Steel
Small size	Three Joints	L=45	30	2207-4530-304	2207-4530-01
		L=53	38	2207-5338-304	2207-5338-01
Large Size	Three Joints	L=50	29	2207-5029-304	2207-5029-01
		L=61	40	2207-6140-304	2207-6140-01



Zinc die, black powder coated or bright chrome, m.s. zinc plated or SUS pin.

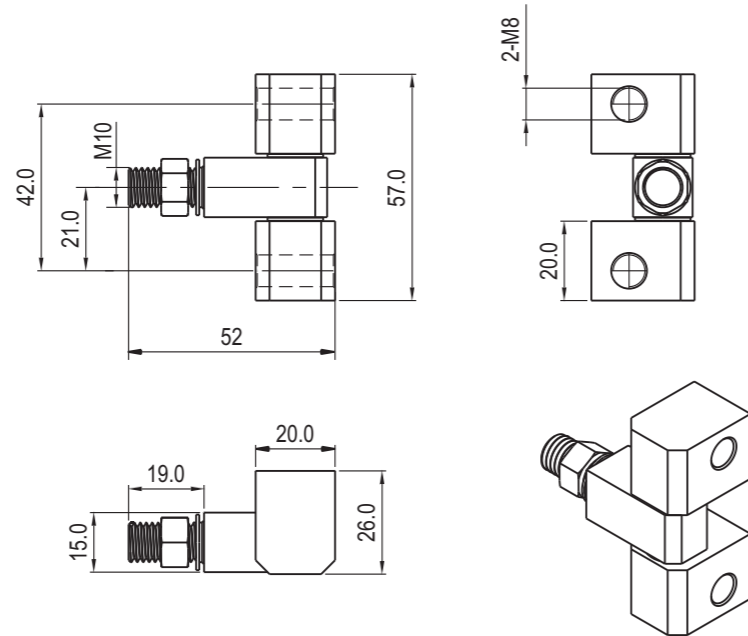
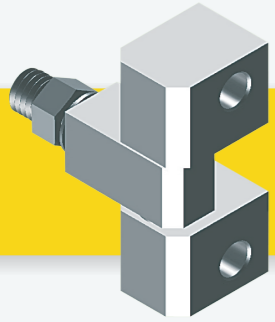
Black Textured Powder Coated	Bright Chrome
2208-20	2208-30



Black PA GF30% body, untreated steel fully molded-in, stainless steel pin

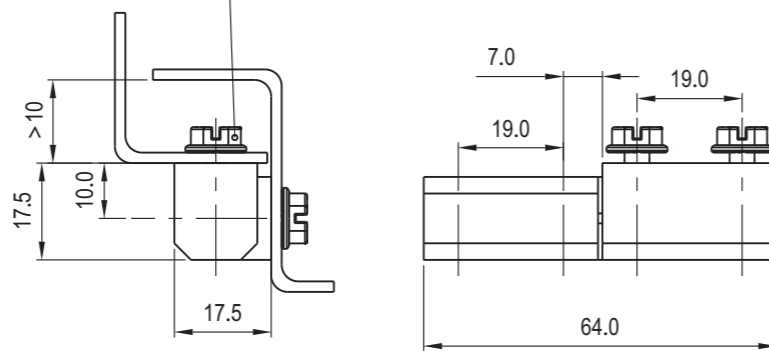
	2208-PA
--	---------





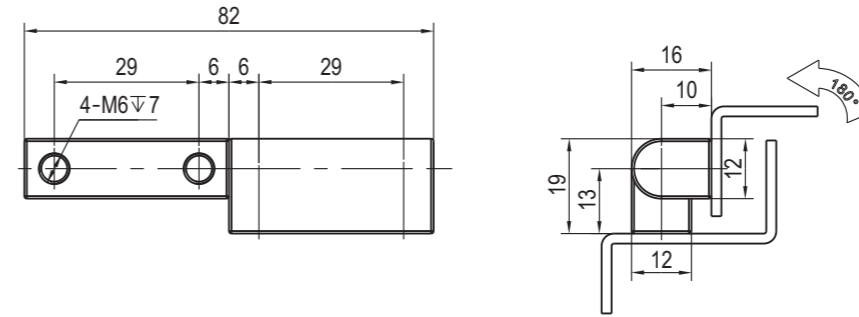
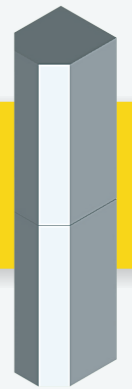
Stainless steel or m.s. zinc plated

Version	Length	Stainless Steel	Steel
Three Joints	L=57.0	2210-570-304	2210-570-01



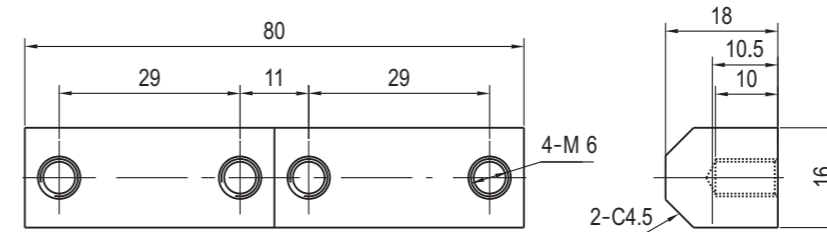
zinc die, m.s. zinc plated or sus pin, black powder coated or bright chrome

Finish	Countersunk Screw
Black Powder Coated	2211-500-10
Bright Chrome	2211-500-30
SUS 316	2211-500-316



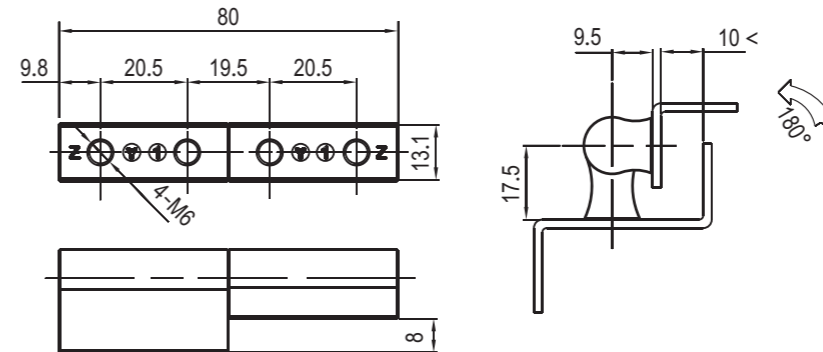
SUS material

Center Distance	
L=29	2213-29-304



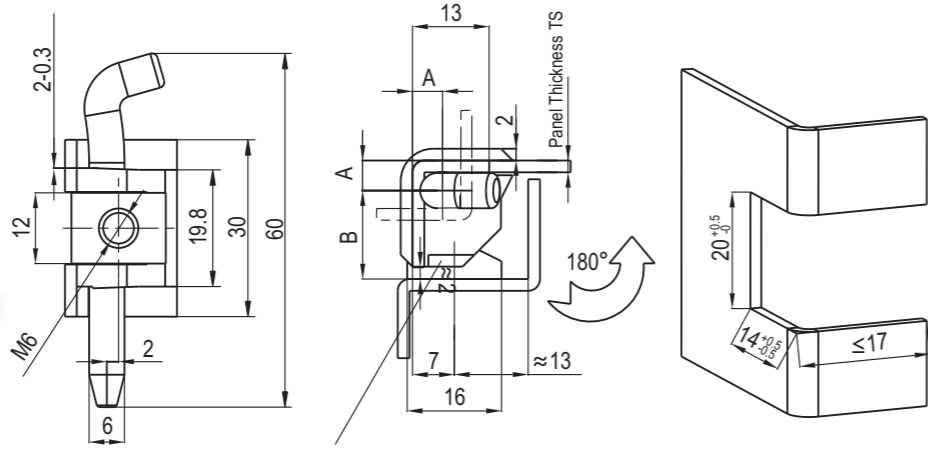
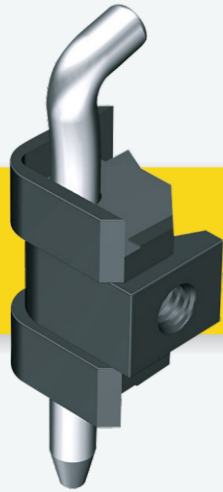
SUS material

Length	
L=80	2214-800-316



Zinc die, bright chrome, nickel plated pin, or full stainless steel

Bright Chrome	SUS 316
2215-800-30	2215-800-316

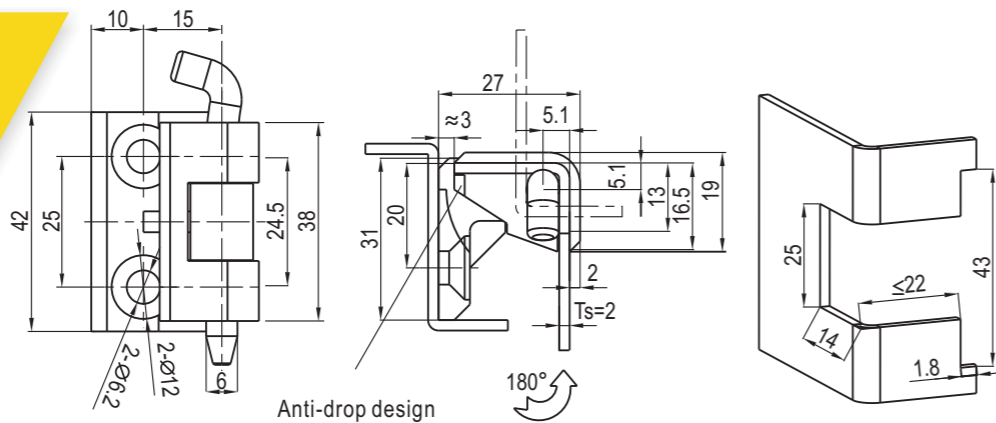


Anti-drop design

Panel cutout

Zinc die, m.s. zinc plated or SUS pin, black textured powder coated or bright chrome

Panel Thickness TS	A	B	Black Powder Coated	Bright Chrome
1.5	4.6	15	2305-15-20	2305-15-30
2.0	5.1	15	2305-20-20	2305-20-30
1.5	4.6	17	2305-1517-20	2305-1517-30
2.0	5.1	17	2305-2017-20	2305-2017-30
1.5	4.6	19	2305-1519-20	2305-1519-30
2.0	5.1	19	2305-2019-20	2305-2019-30

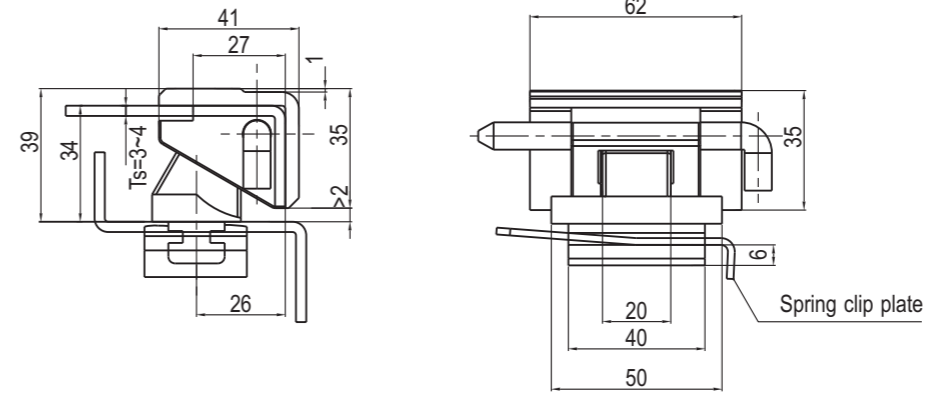
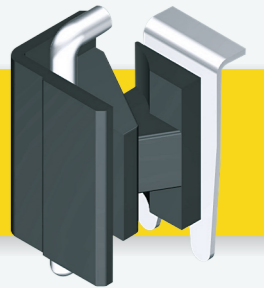


Anti-drop design

Panel cutout

Zinc die, m.s. zinc plated or SUS pin, black textured powder coated or bright chrome

Panel Thickness	Black Textured Powder Coated	Bright Chrome
Ts=1.50mm	2306-15-20	2306-15-30
Ts=2.00mm	2306-20-20	2306-20-30

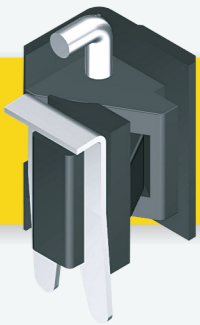


Panel cutout

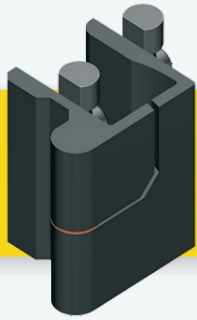
Panel cutout

Zinc die, m.s. zinc plated pin and clip plate black power coated or black E-coating

Black Powder Coated	Black E-Coated
2307-01-10	2307-01-50



Under development,  
shall be available on  
June, 2018.



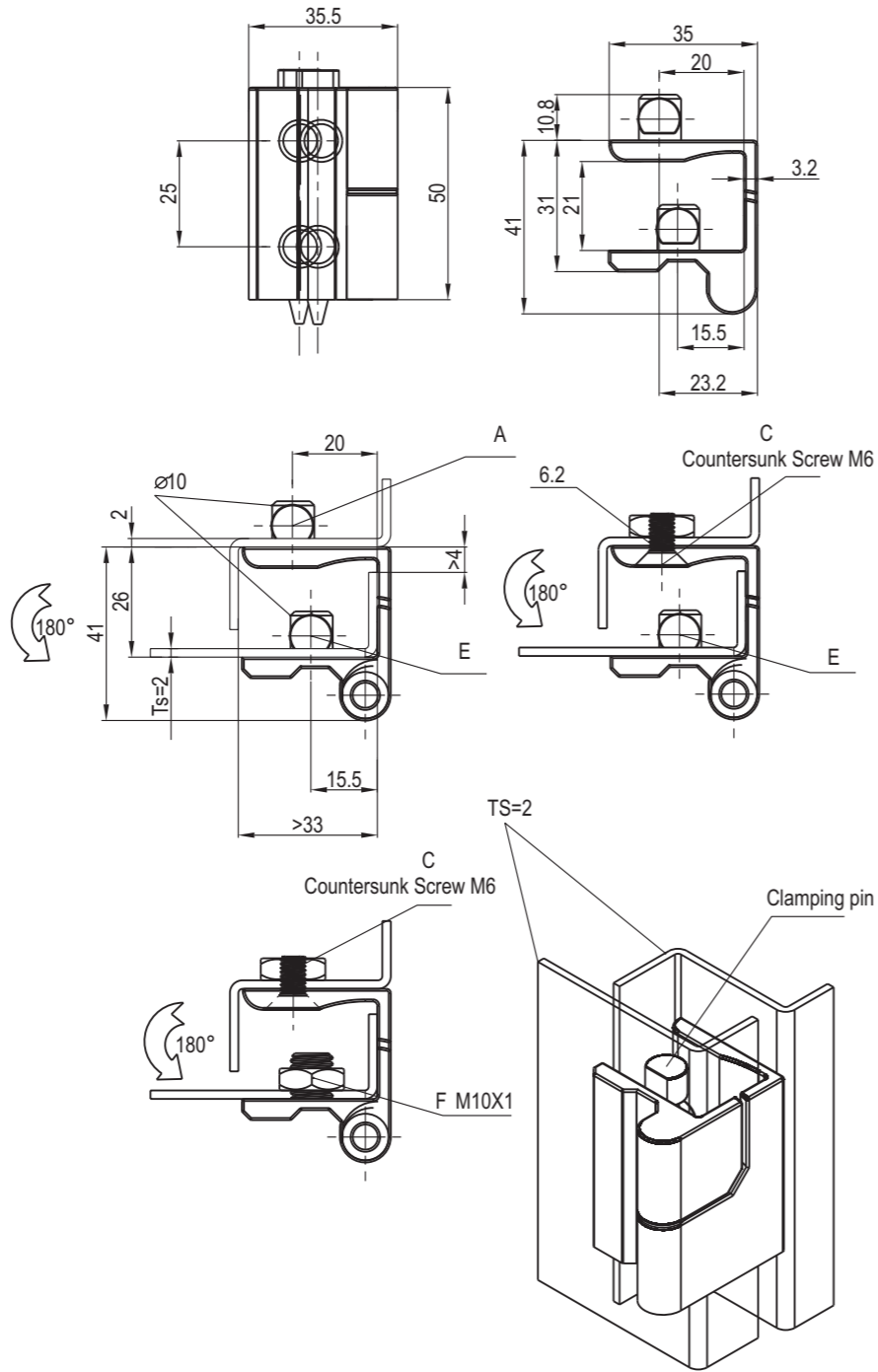
A+E



C+E

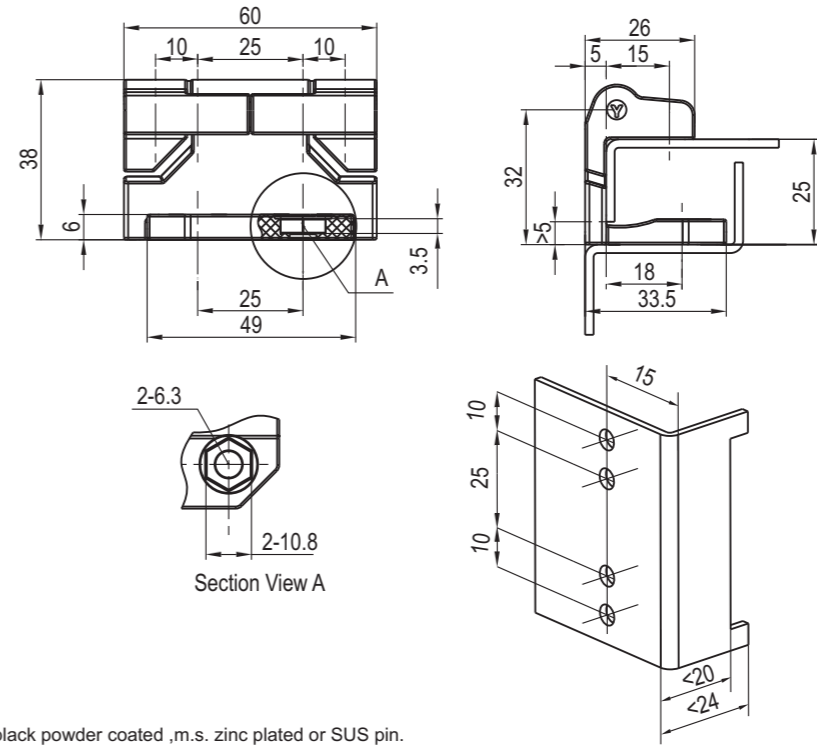
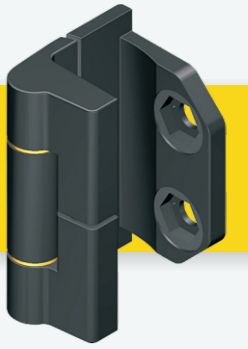


C+F



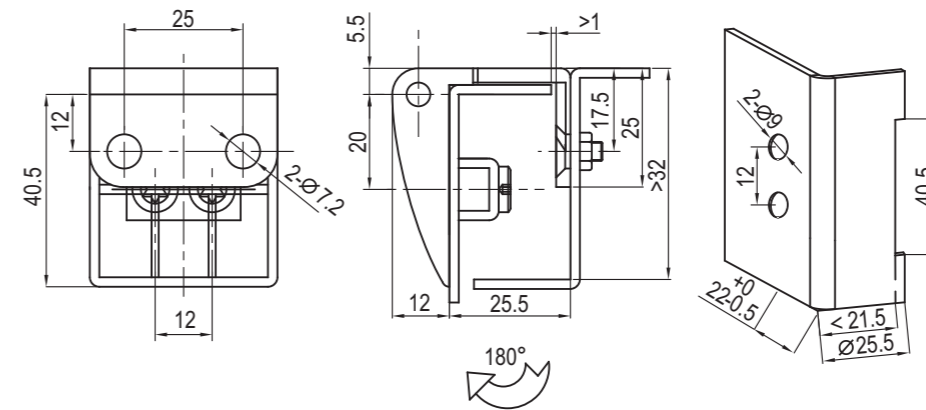
Zinc die, stainless steel pin, Black textured powder coated, or full stainless steel material

	Zinc die		Steel frame leaf, zinc die door leaf		SUS 316	
	Version(Left)	Version(Right)	Version(Left)	Version(Right)	Version(Left)	Version(Right)
A+E	2308-111AE-20	2308-112AE-20				
C+E	2308-111CE-20	2308-112CE-20	2308-111CE-120	2308-112CE-120		
C+F	2308-111CF-20	2308-112CF-20	2308-111CF-120	2308-112CF-120	2308-111CF-316	2308-112CF-316



Zinc die, black powder coated, m.s. zinc plated or SUS pin.

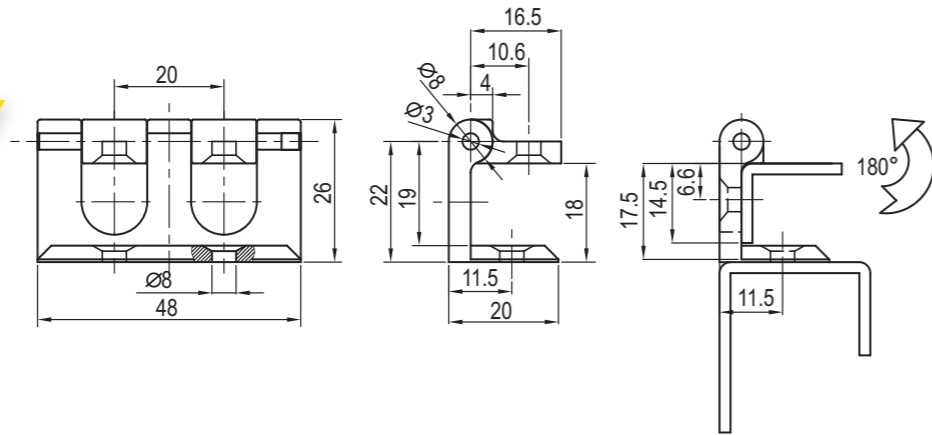
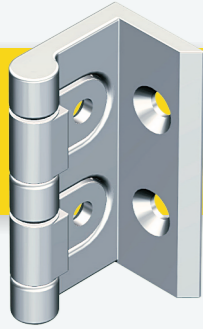
Black Powder Coated	2309-10
---------------------	---------



Zinc die, black powder coated, m.s. zinc plated or SUS pin.

Black Powder Coated	Bule green powder coated	皱纹黑
2310-02-10	2310-02-60	2310-02-70

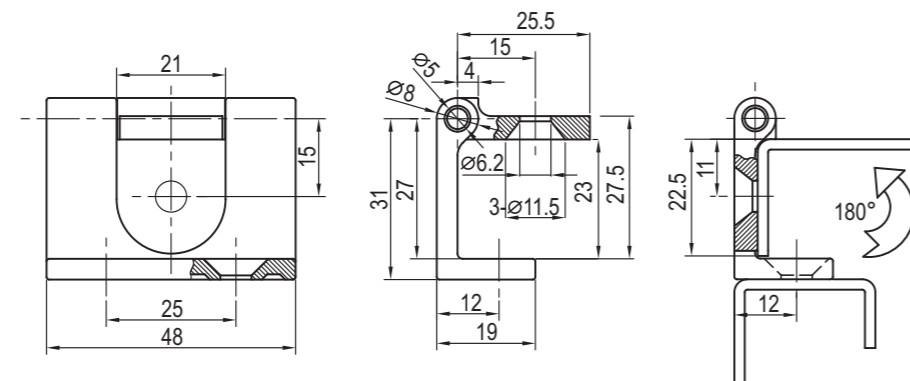




Under development,  
shall be available on  
June, 2018.

Zinc die, m.s. zinc plated or SUS pin, blue white zinc plated

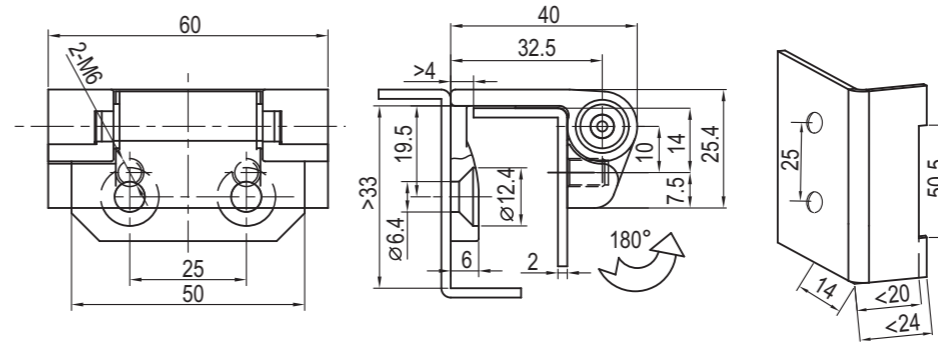
Bule Zinc plated	2311-00
------------------	---------



Under development,  
shall be available on  
June, 2018.

Zinc die, m.s. zinc plated or SUS pin, black zinc plated

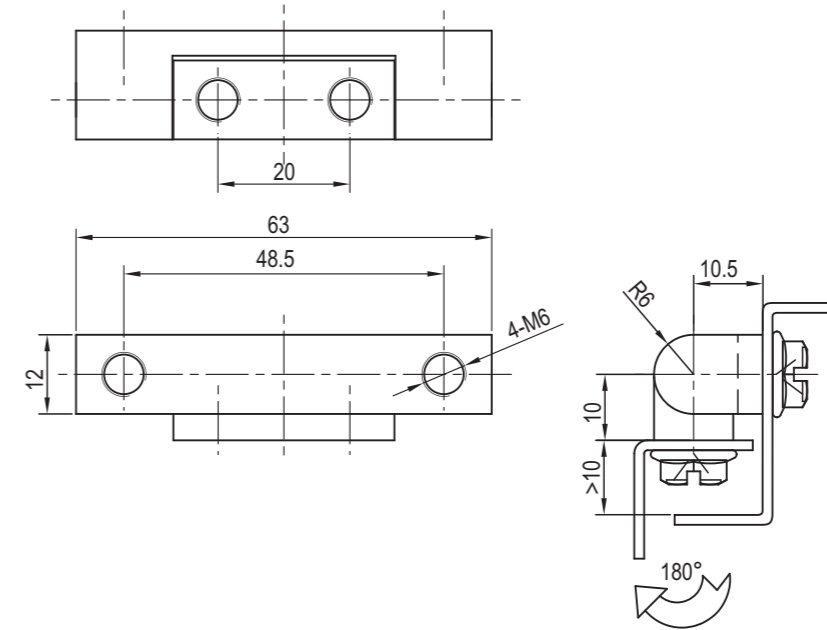
Black Zinc plated	2311-02
-------------------	---------



Panel cutout

Zinc die, black textured powder coated, PA pin.

Black Textured Powder Coated	2312-20
------------------------------	---------



Zinc die, m.s. zinc plated or SUS pin, black powder coated or bright chrome.

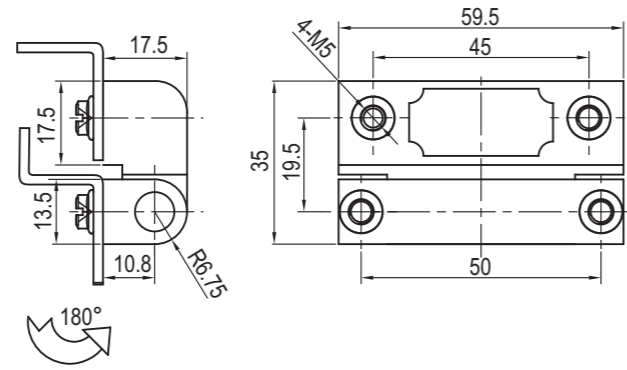
Black Powder Coated	Bright Chrome
2313-10	2313-30



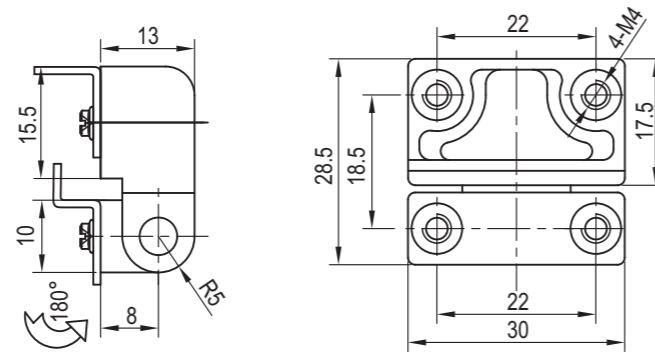
Under development,  
shall be available on  
June, 2018.



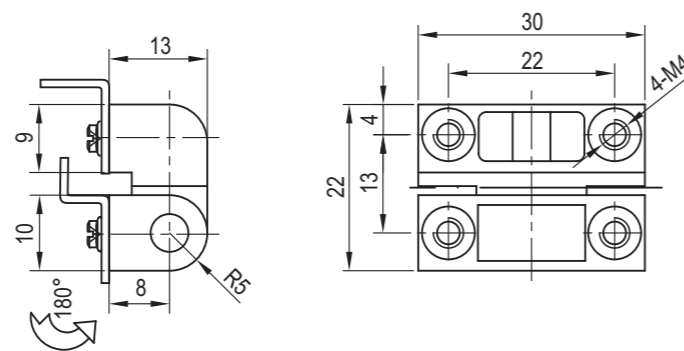
Version A



Version B

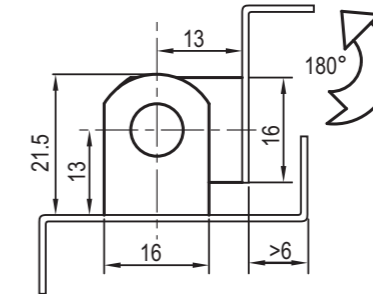
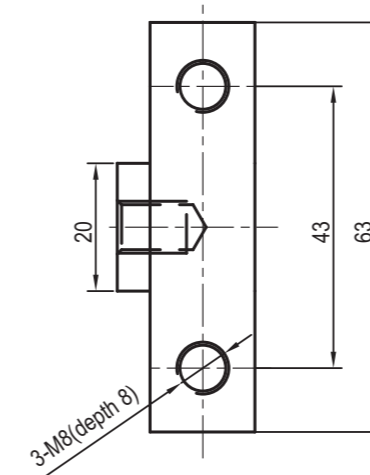
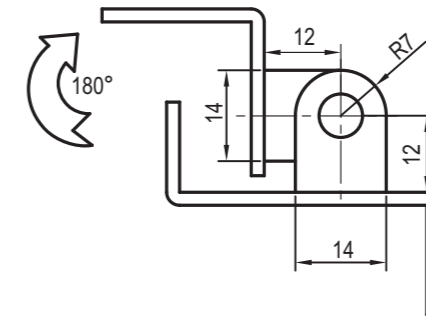
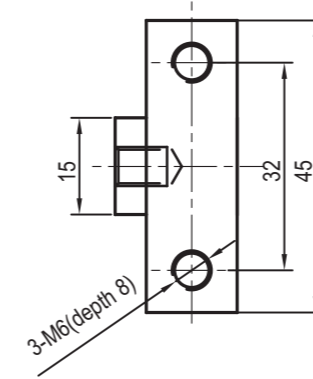
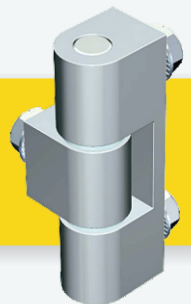
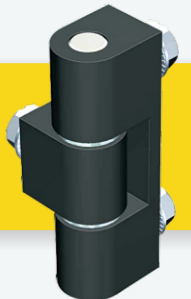
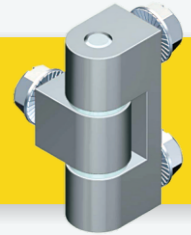
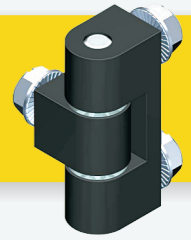


Version C



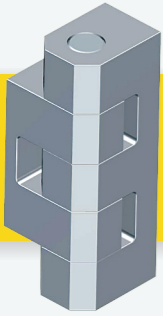
Zinc die, m.s. zinc plated or SUS pin, black powder coated or bright chrome.

	Black Powder Coated	Bright Chrome	Satin Chrome
Version A	2315-350-10	2315-350-30	2315-350-40
Version B	2315-285-10	2315-285-30	2315-285-40
Version C	2315-220-10	2315-220-30	2315-220-40

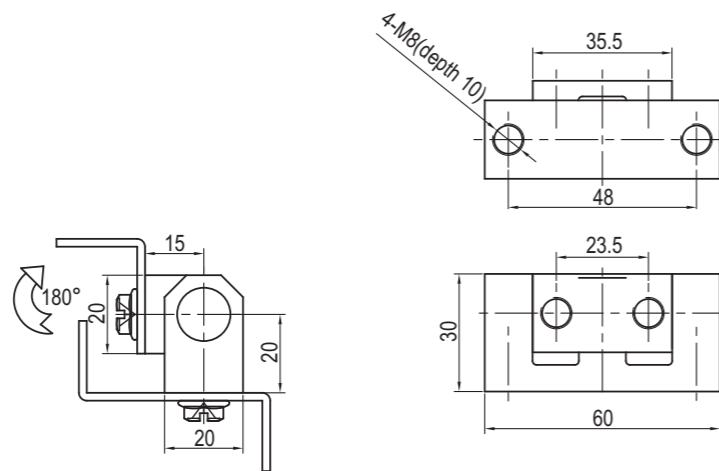
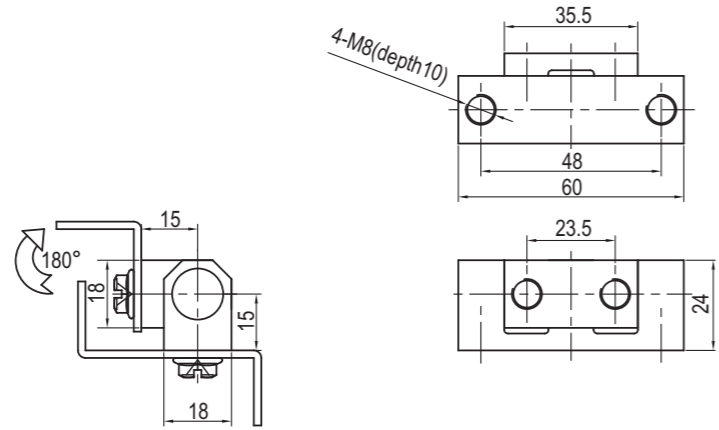
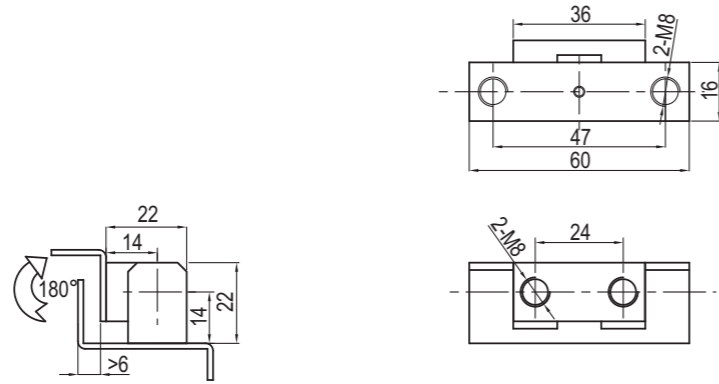


Zinc die, m.s. zinc plated or SUS pin, black powder coated or bright chrome.

L	Black Powder Coated	Bright Chrome
L=45	2316-45-10	2316-45-30
L=63	2316-63-10	2316-63-30



Under development, shall be available on June, 2018.

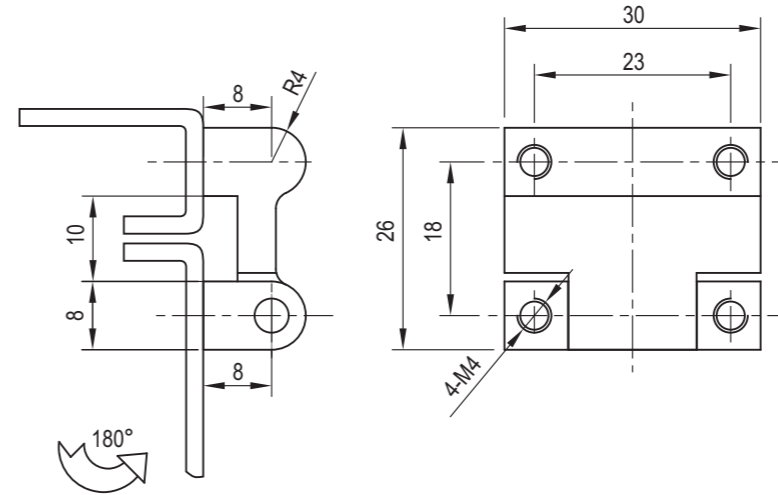
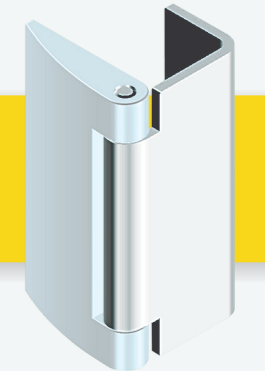


Zinc die, m.s. zinc plated or stainless steel pin.

W	Black Powder Coated	Bright Chrome
W=14	2317-14-10	2317-14-30
W=15	2317-15-10	2317-15-30
W=20	2317-20-10	2317-20-30

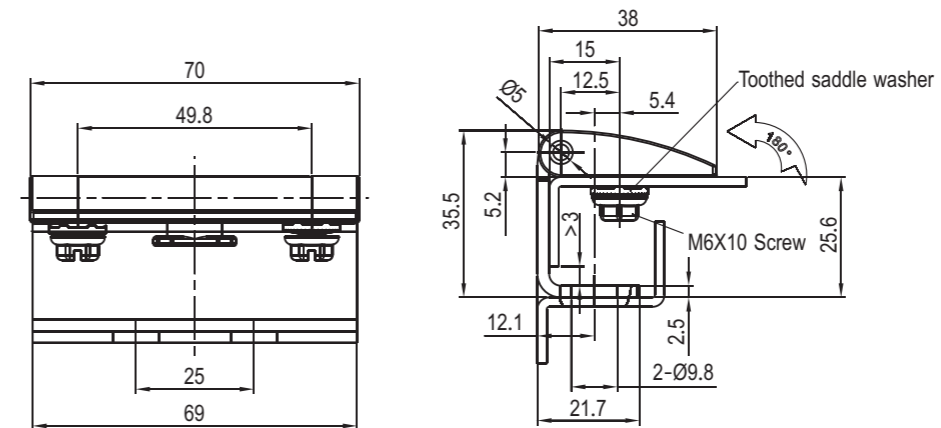


Under development, shall be available on June, 2018.



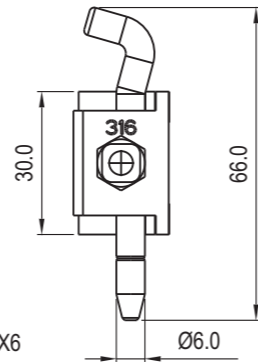
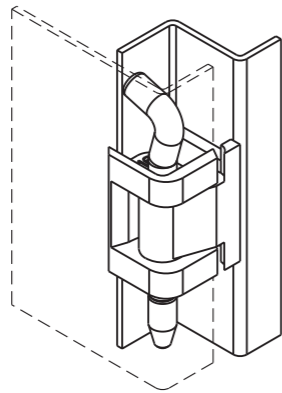
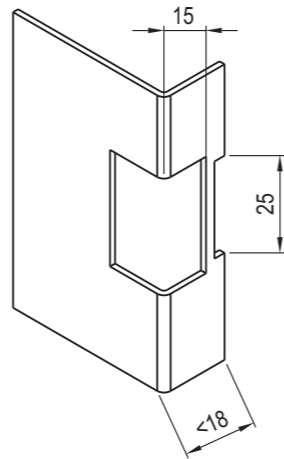
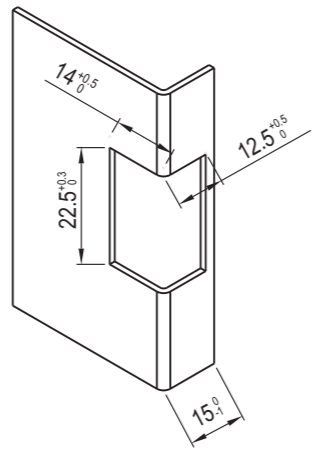
Zinc die, m.s. zinc plated or SUS pin, black powder coated or bright chrome.

Black Powder Coated	Bright Chrome
2318-10	2318-30

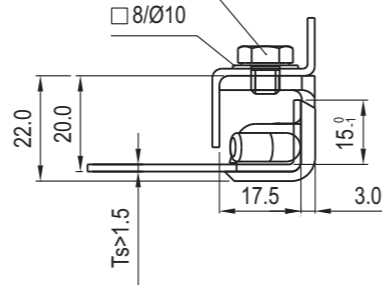


Zinc die door leaf, steel frame leaf, SUS pin

RAL9016	Black Powder Coated
2328-01-25	2328-01-10

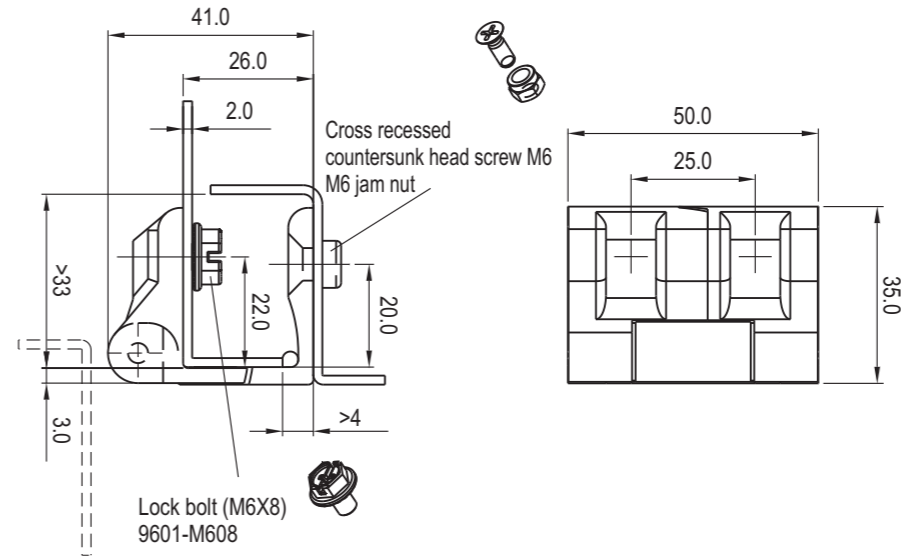


Hex Bolts M6X6  
M6 Washer



180° hinge SUS 316, pin SUS 303

Panel Thickness	SUS 316
Ts=1.5	2324-15-316
Ts=2.0	2324-20-316

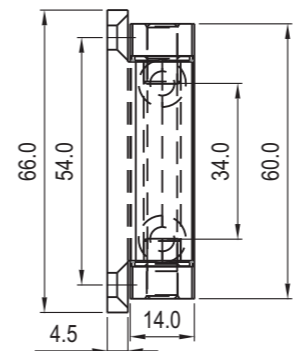


180°hinge zinc die, black powder coated; m. s. zinc plated; brass washer

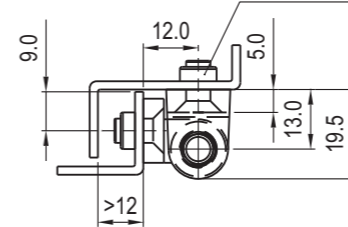
Finish	Black Textured Powder Coated
Zinc Die	2326-500-20



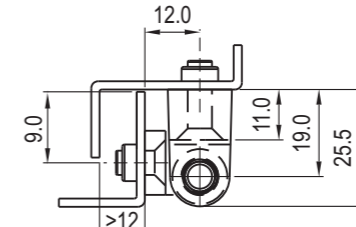
Under development,  
shall be available on  
June, 2018.



Locknut  
Countersunk Screw M5



Version 13

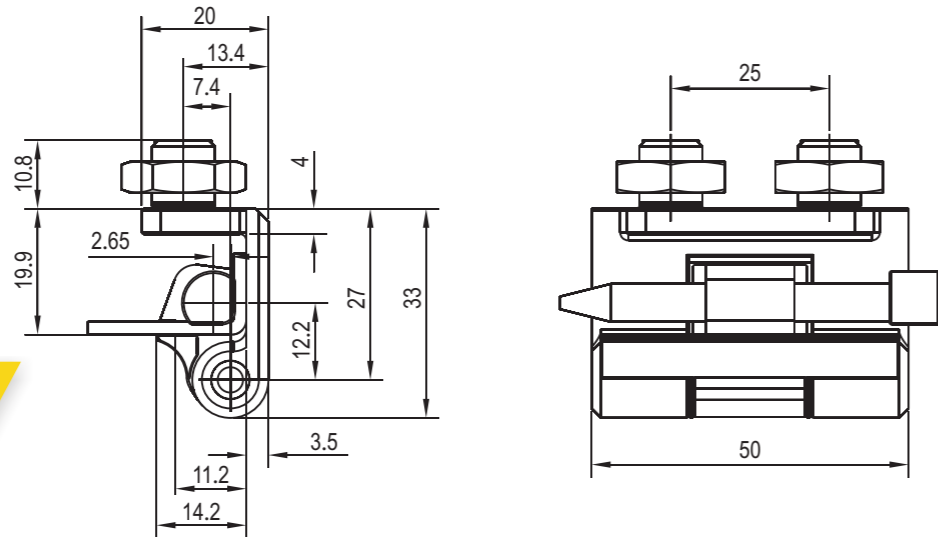


Version 19

Hinge zinc die, m. s. zinc plated pin, PA bushing

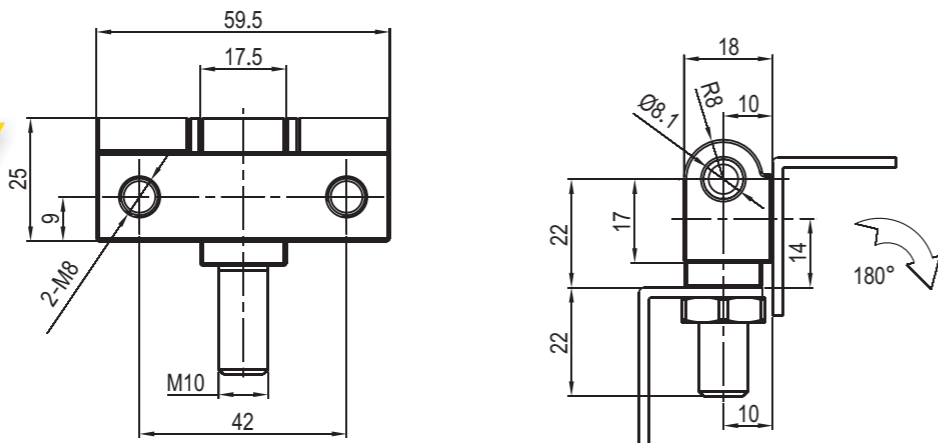
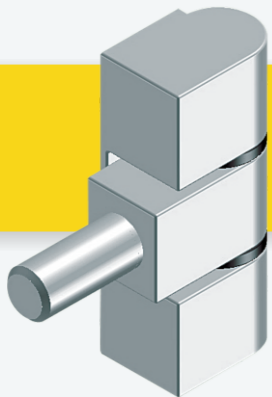
Highly	Black Textured Powder Coated	Bright Chrome
Version 13	2327-13-20	2327-13-30
Version 19	2327-19-20	2327-19-30





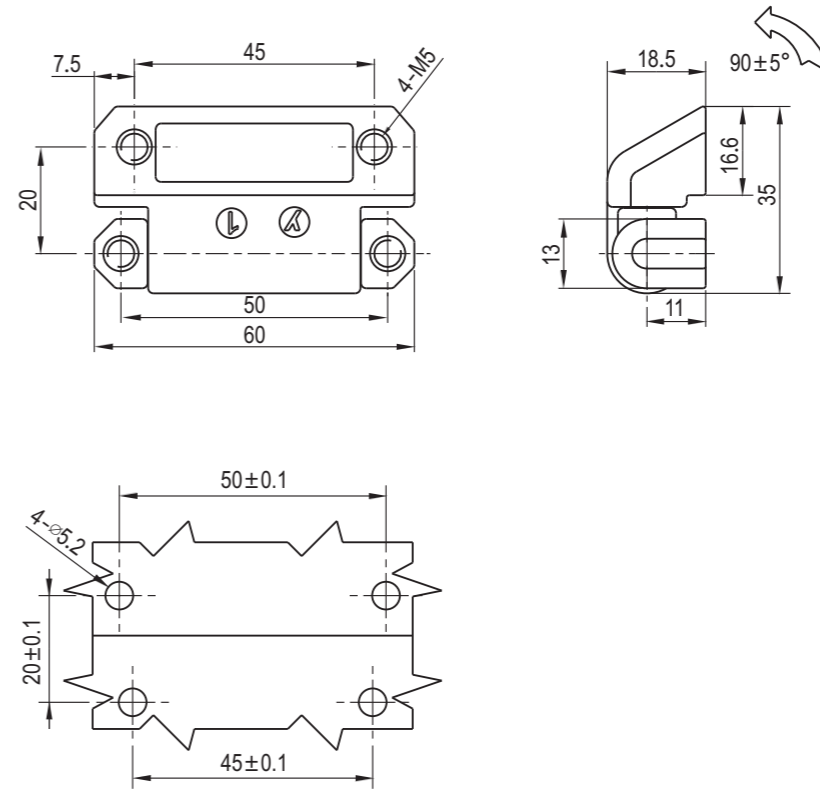
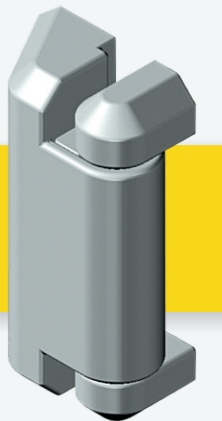
Zinc die hinge, black powder coated, m.s. zinc plated pin

Finish	Part Number
Black Textured Powder Coated	2330-500-20



Zinc die, bright chrome plated, pin with m.s.zinc plated

Finish	Part Number
Bright Chrome	2332-595-30



Panel cutout

Zinc screw-in torque hinge,SUS pin

Symmetric N.m

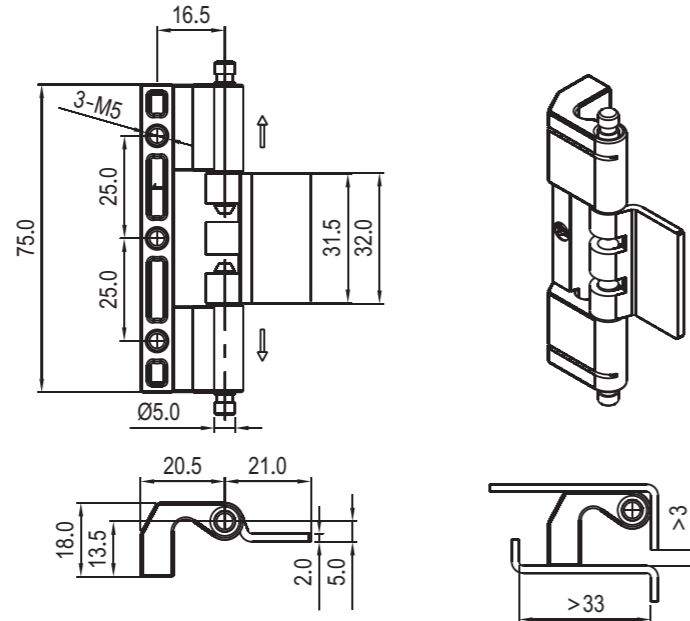
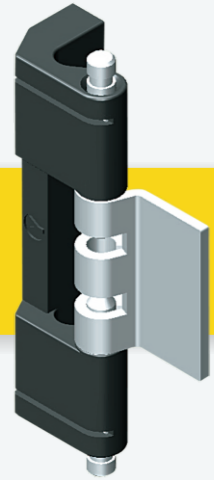
	Black Textured Powder Coated	Gray
Free Operating	2338-6000-20	2338-6000-22
1.36	2338-6136-20	2338-6136-22
2.26	2338-6226-20	2338-6226-22
3.16	2338-6316-20	2338-6316-22
4.07	2338-6407-20	2338-6407-22

Asymmetric N.m

Forward Torque N.m	Reverse Torque N.m	Black Textured Powder Coated	Gray
2.3	1.4	2338-623F-20	2338-623F-22
3.2	1.9	2338-632F-20	2338-632F-22
4.1	2.4	2338-641F-20	2338-641F-22
5	3	2338-650F-20	2338-650F-22
1.4	2.3	2338-614R-20	2338-614R-22
1.9	3.2	2338-619R-20	2338-619R-22
2.4	4.1	2338-624R-20	2338-624R-22
3	5	2338-630R-20	2338-630R-22

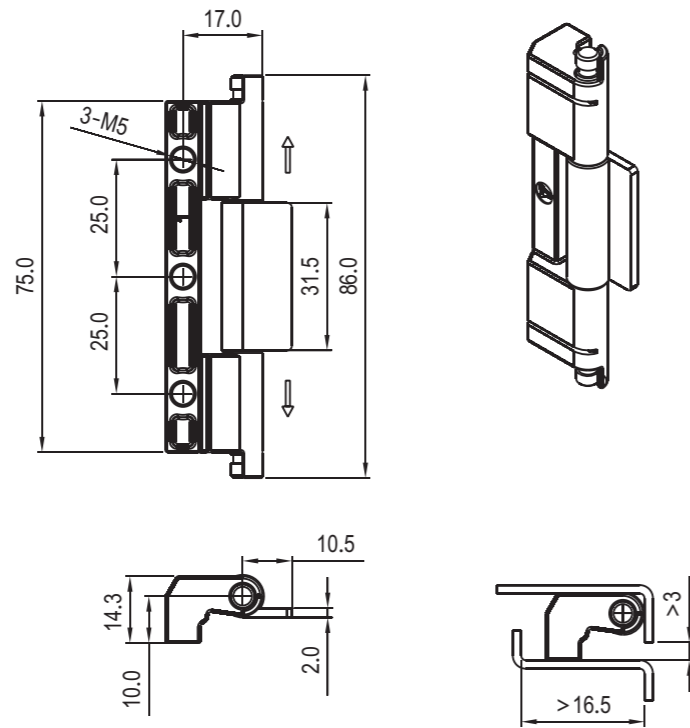
**CYCLE LIFE:**  
Within 25 , 000 cicies static torque stay  
Within ±20% of torque specifcaton.





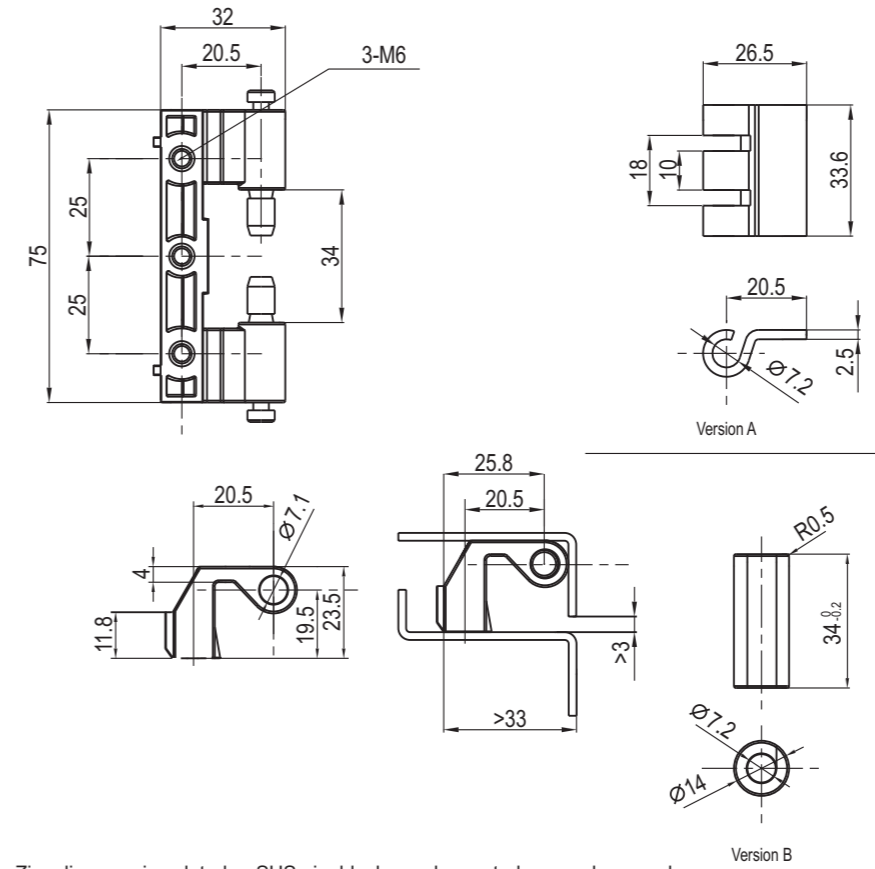
Zinc die, Zinc plated or SUS pin, black powder coated or sand sprayed

Black Textured Powder Coated	Sand sprayed
2401-115-20	2401-115-77



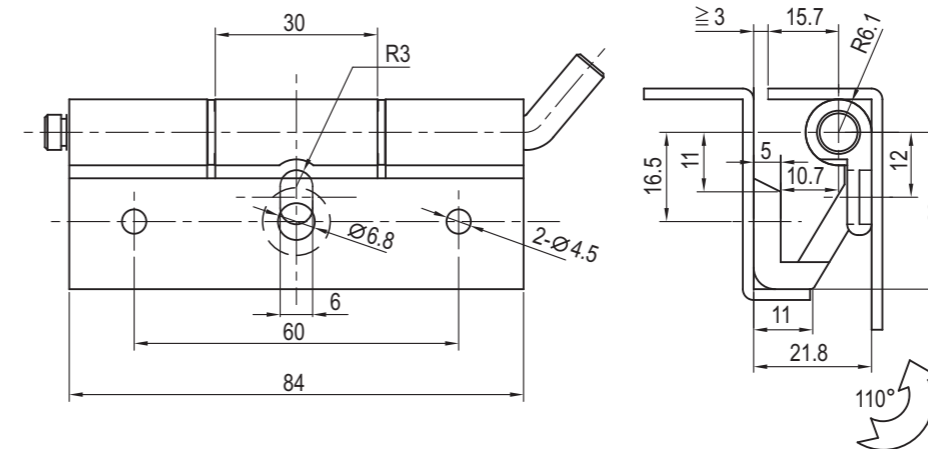
Zinc die, Zinc plated or SUS pin, black powder coated or sand sprayed

Black Textured Powder Coated	Sand sprayed
2401-116-20	2401-116-77



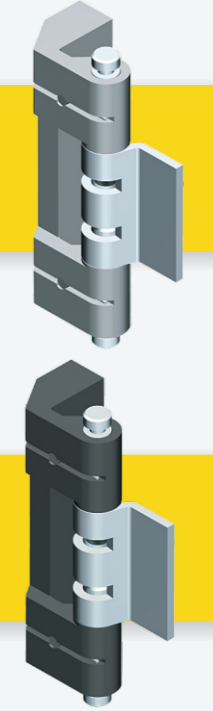
Zinc die, m.s. zinc plated or SUS pin, black powder coated or sand sprayed

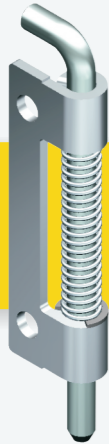
Weld-on part version	Black Powder Coated	Sand sprayed
Version A	2401-111-10	2401-111-77
Version B	2401-112-10	2401-112-77



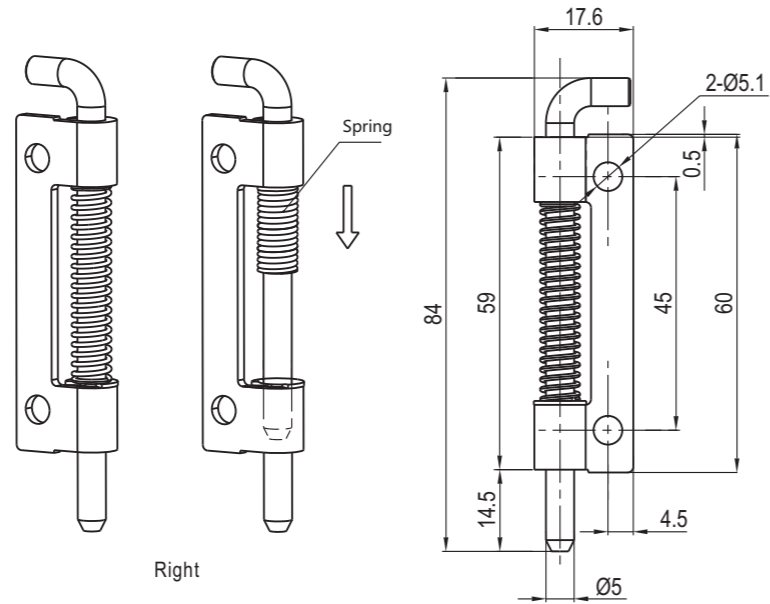
Zinc die, black powder coated, m.s. zinc plated or SUS pin.

Black Powder Coated	2402-10

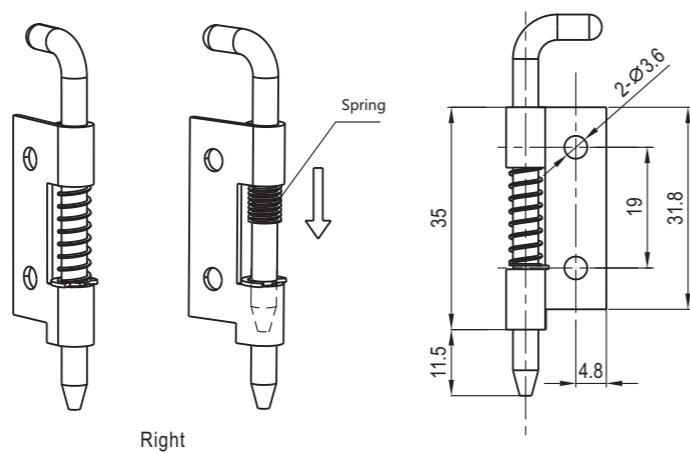




Large size



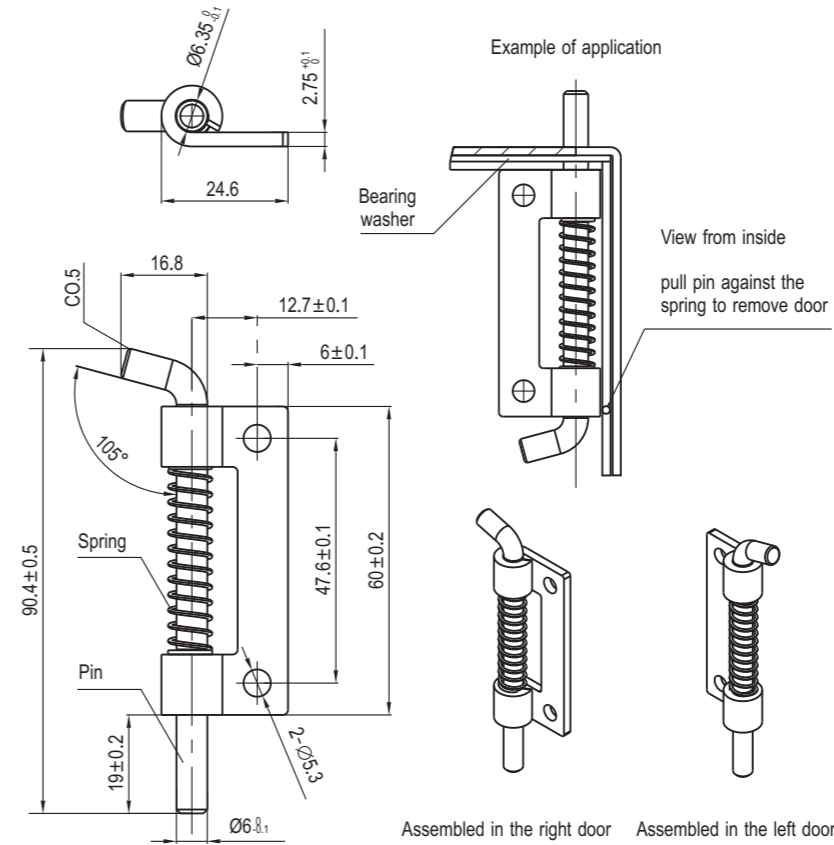
Small size



M.S. zinc plated

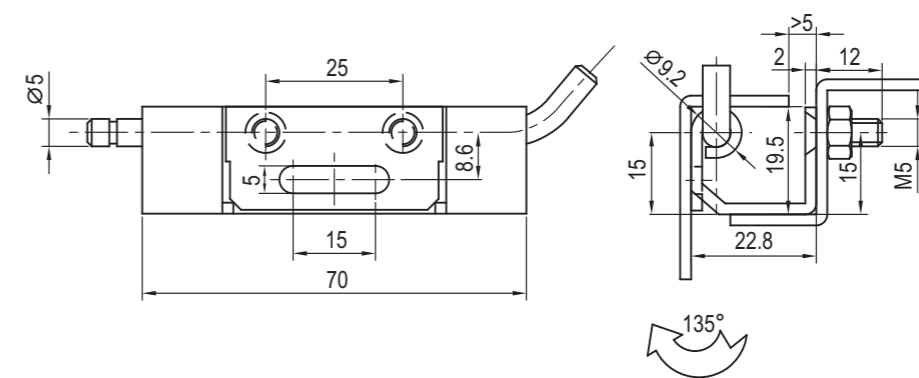
SUS material upon request

	Screw on version		Weld on version	
	Left	Right	Left	Right
Large size	2404-01-L	2404-01-R	2404-11-L	2404-11-R
Small size	2404-02-L	2404-02-R	2404-12-L	2404-12-R



M.S. zinc plated or stainless steel

	Screw on version	
	Left	Right
M.S. zinc plated	2404-04-01L	2404-04-01R
SUS 304	2404-04-304L	2404-04-304R

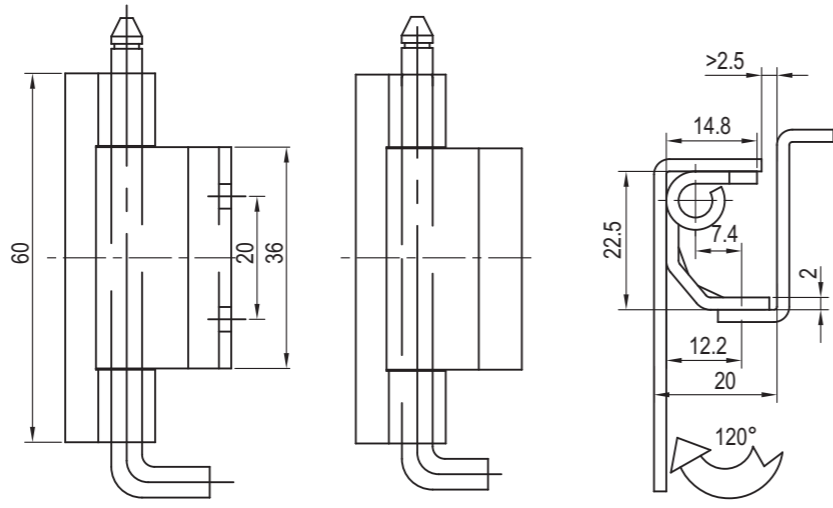


M.S. zinc plated

	2405-01
--	---------



Under development,  
shall be available on  
June, 2018.

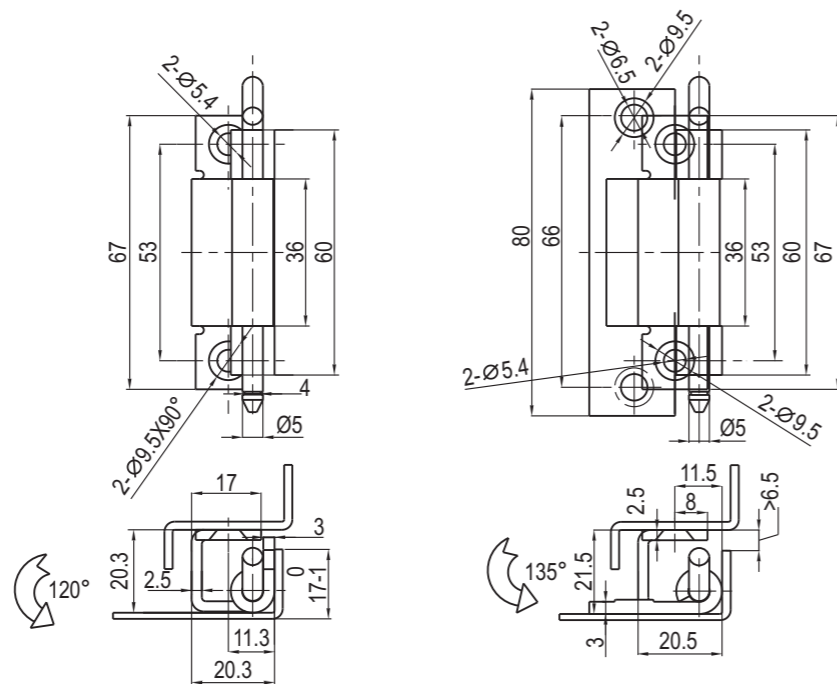


Screw on version

Weld on version

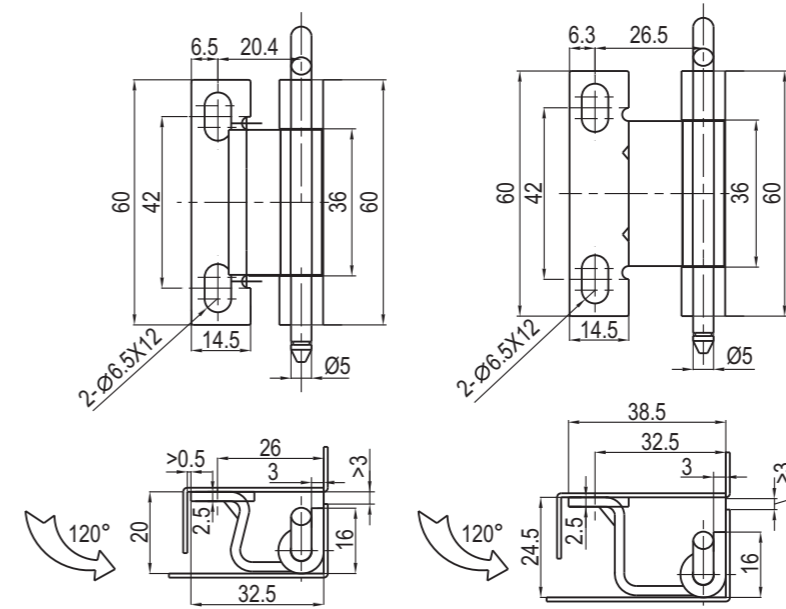
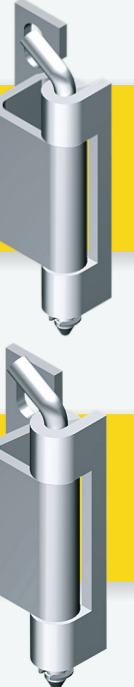
M.S. zinc plated or stainless steel

	SUS 304	Steel
Screw on version	2406-011-304	2406-011-01
Weld on version	2406-012-304	2406-012-01



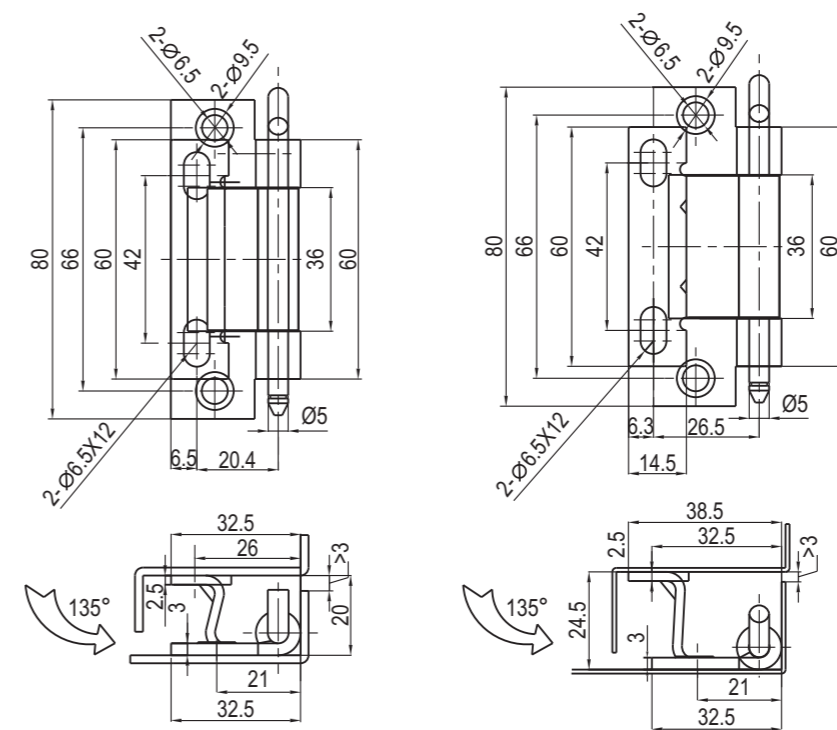
M.S. zinc plated or stainless steel

	SUS 304	Steel
(Dim 20.3)	2407-011-304	2407-011-01
(Dim 21.5)	2407-012-304	2407-012-01



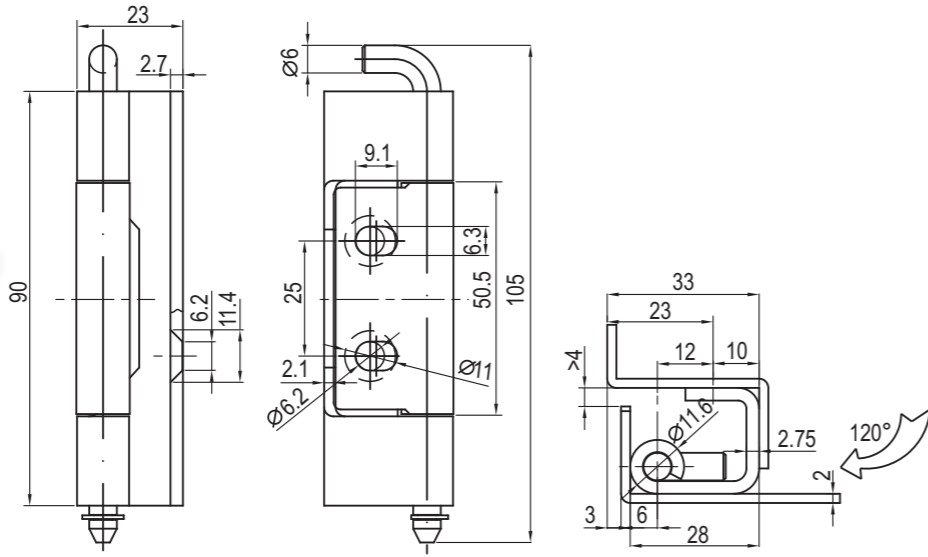
M.S. zinc plated or stainless steel

	SUS 304	Steel
(Dim 20)	2407-021-304	2407-021-01
(Dim 24.5)	2407-022-304	2407-022-01



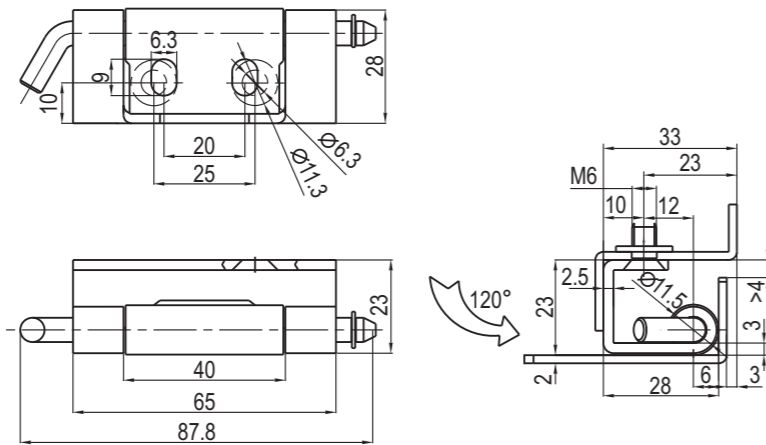
M.S. zinc plated or stainless steel

	SUS 304	Steel
(Dim 20)	2407-031-304	2407-031-01
(Dim 24.5)	2407-032-304	2407-032-01



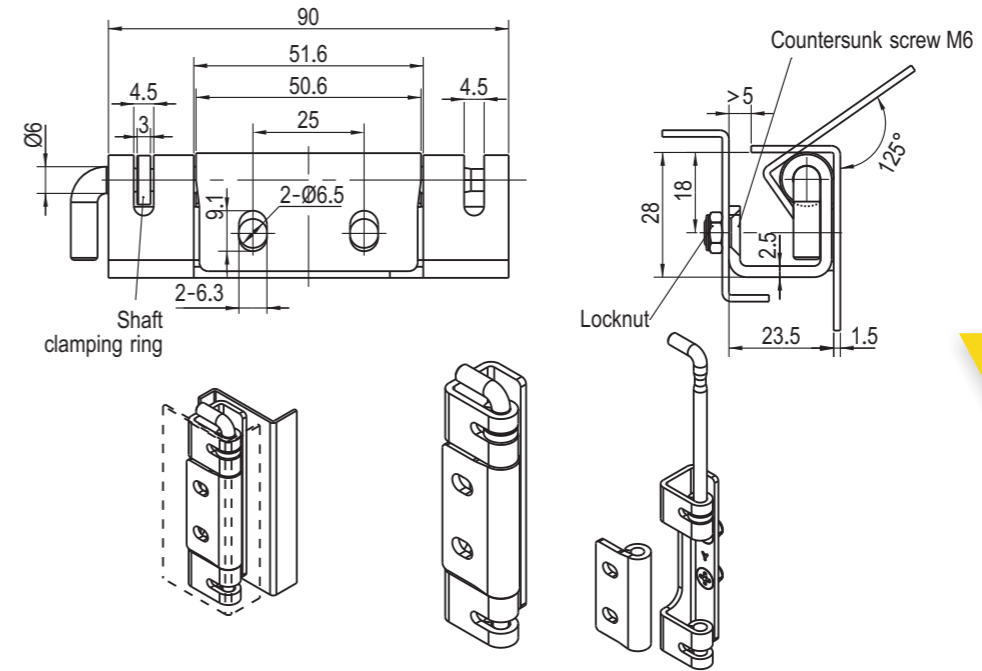
M.S zinc plated or stainless steel

SUS 304	Steel
2408-01-304	2408-01-01



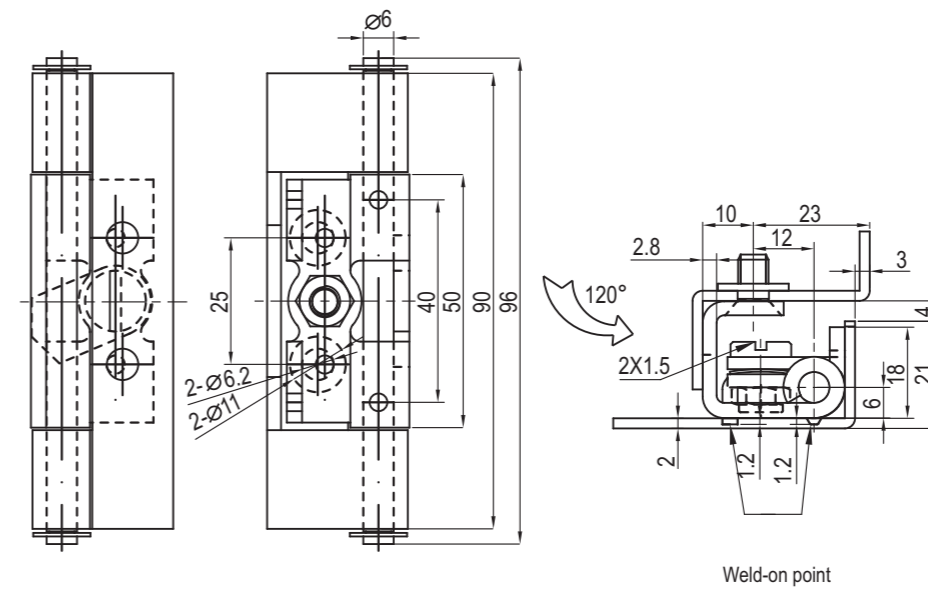
M.S. zinc plated or stainless steel

SUS 304	Steel
2408-02-304	2408-02-01



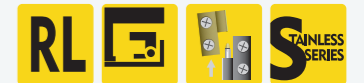
M.S. zinc plated or stainless steel, shaft clamping ring: POM, red

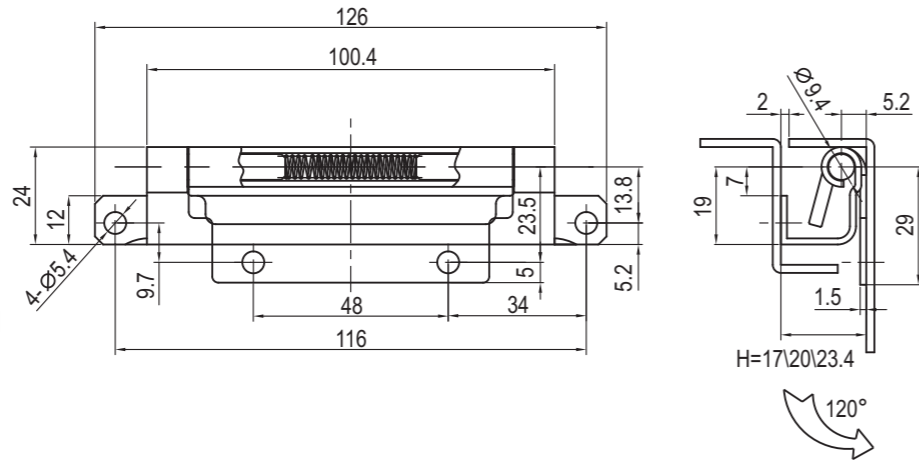
SUS 304	M. S zinc plated
2408-03-304	2408-03-01



M.S. zinc plated or stainless steel

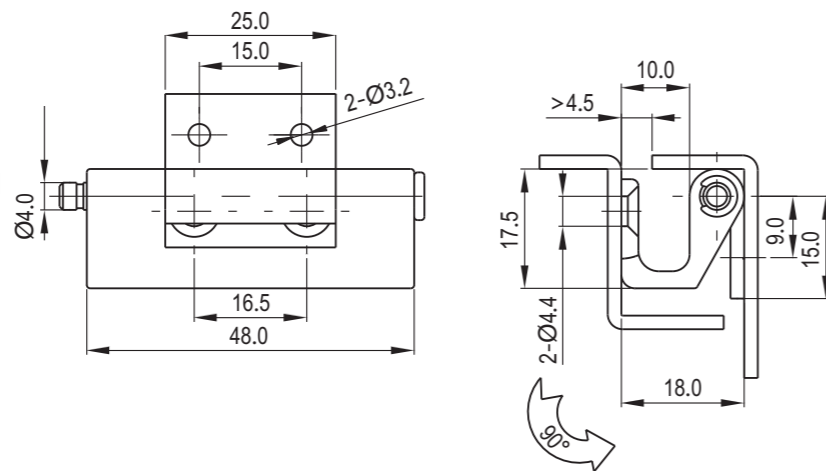
SUS 304	Steel
2409-304	2409-01





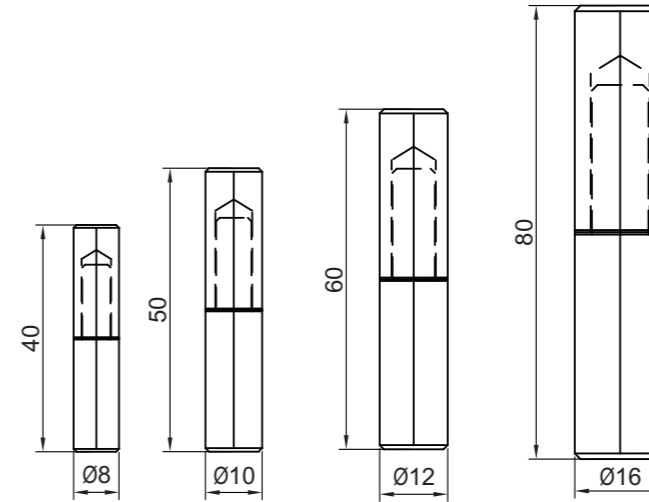
M.S. zinc plated or stainless steel

Height	SUS 304	Steel
H=17	2410-17-304	2410-17-01
H=20	2410-20-304	2410-20-01
H=23.4	2410-234-304	2410-234-01



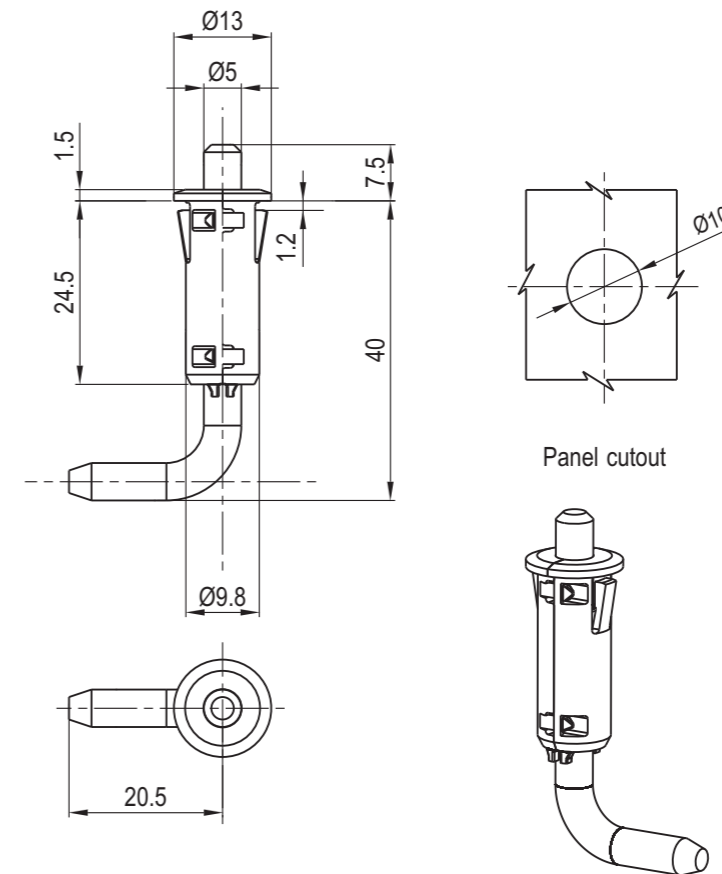
Zinc die, Sand blasting nickel plated ,m.s. zinc plated or SUS pin.

2411-02-78



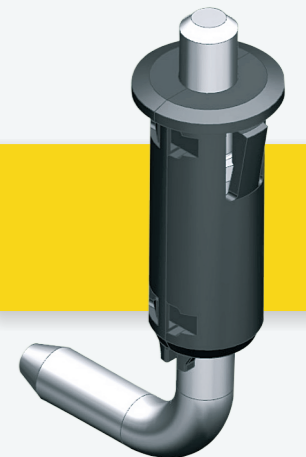
M.S. zinc plated or stainless steel

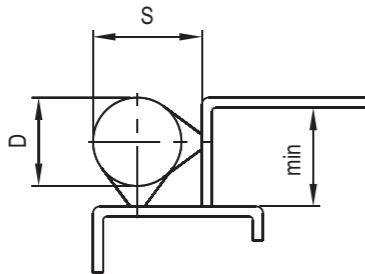
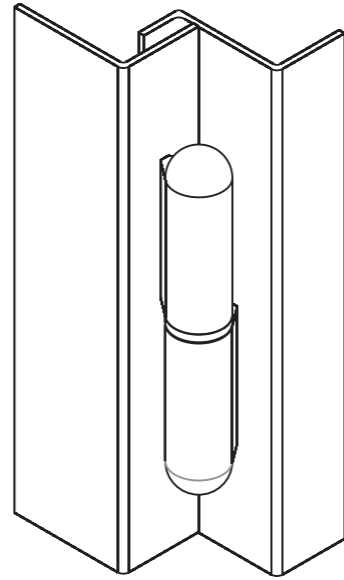
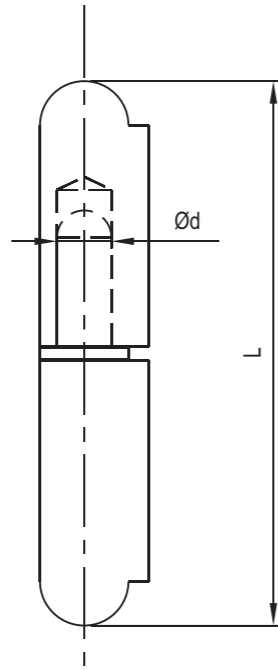
	L=40	L=50	L=60	L=80
SUS 304	2412-40-304	2412-50-304	2412-60-304	2412-80-304
Steel	2412-40-01	2412-50-01	2412-60-01	2412-80-01



Black PA housing, zinc die pin shaft

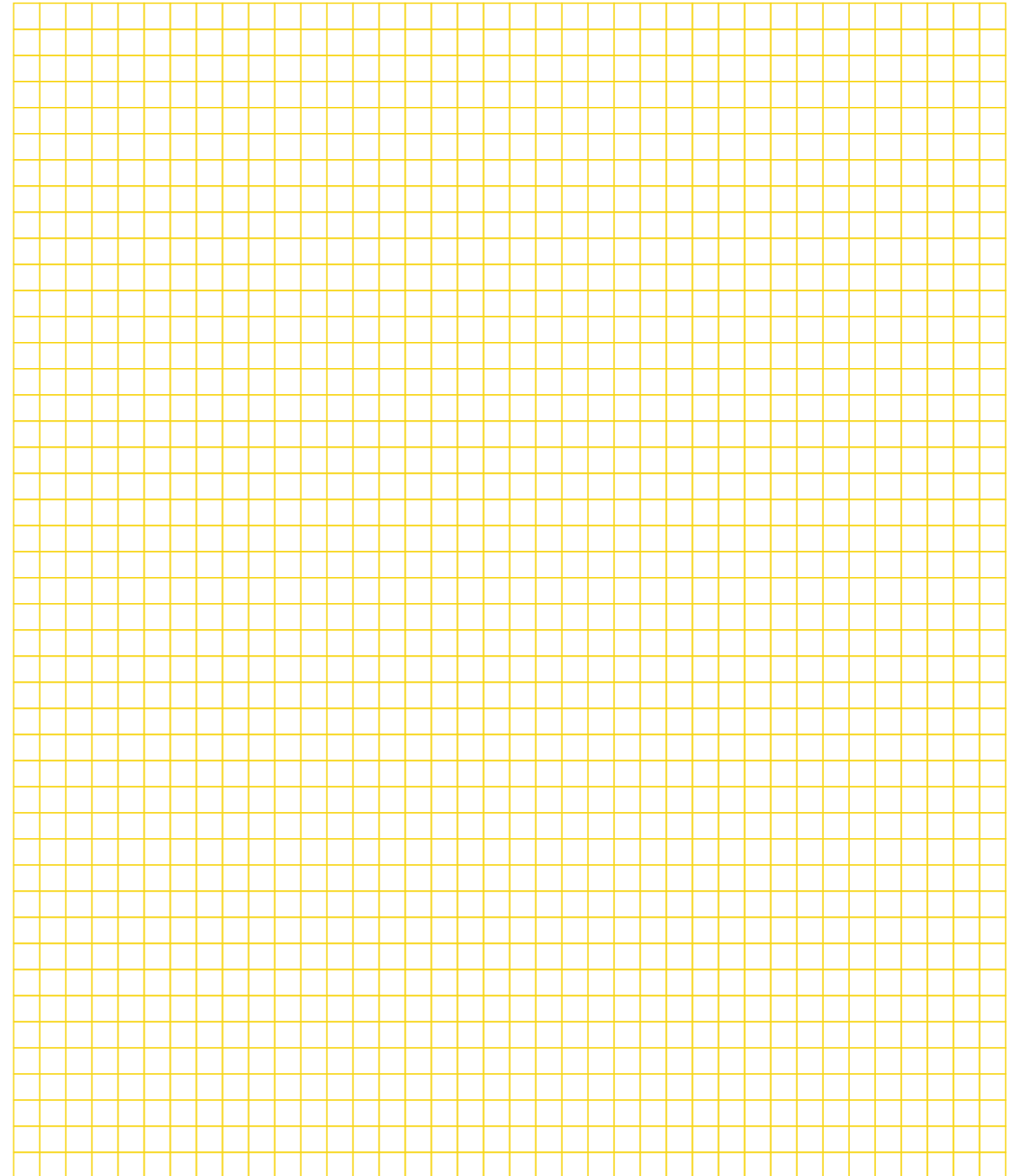
2414-01-90

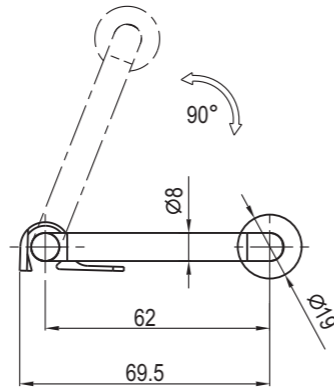
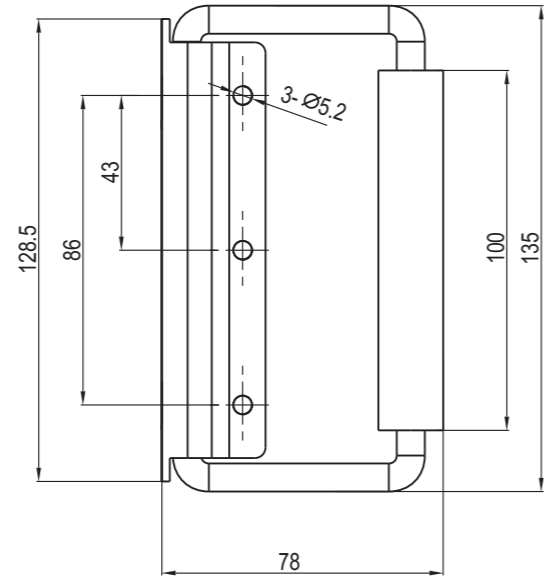




M.S Raw with M.S pin or brass pin, or full stainless steel.

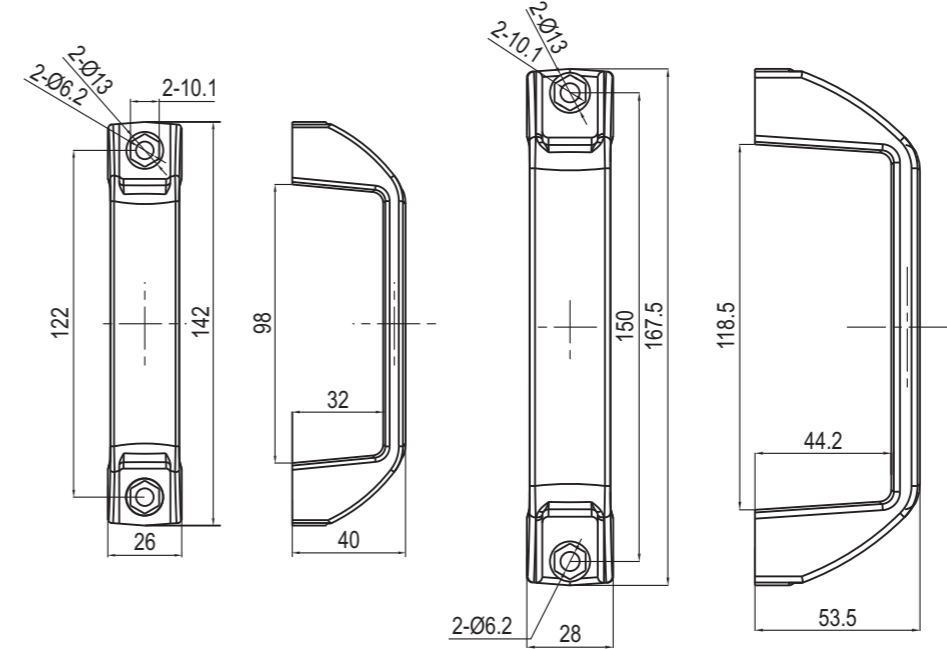
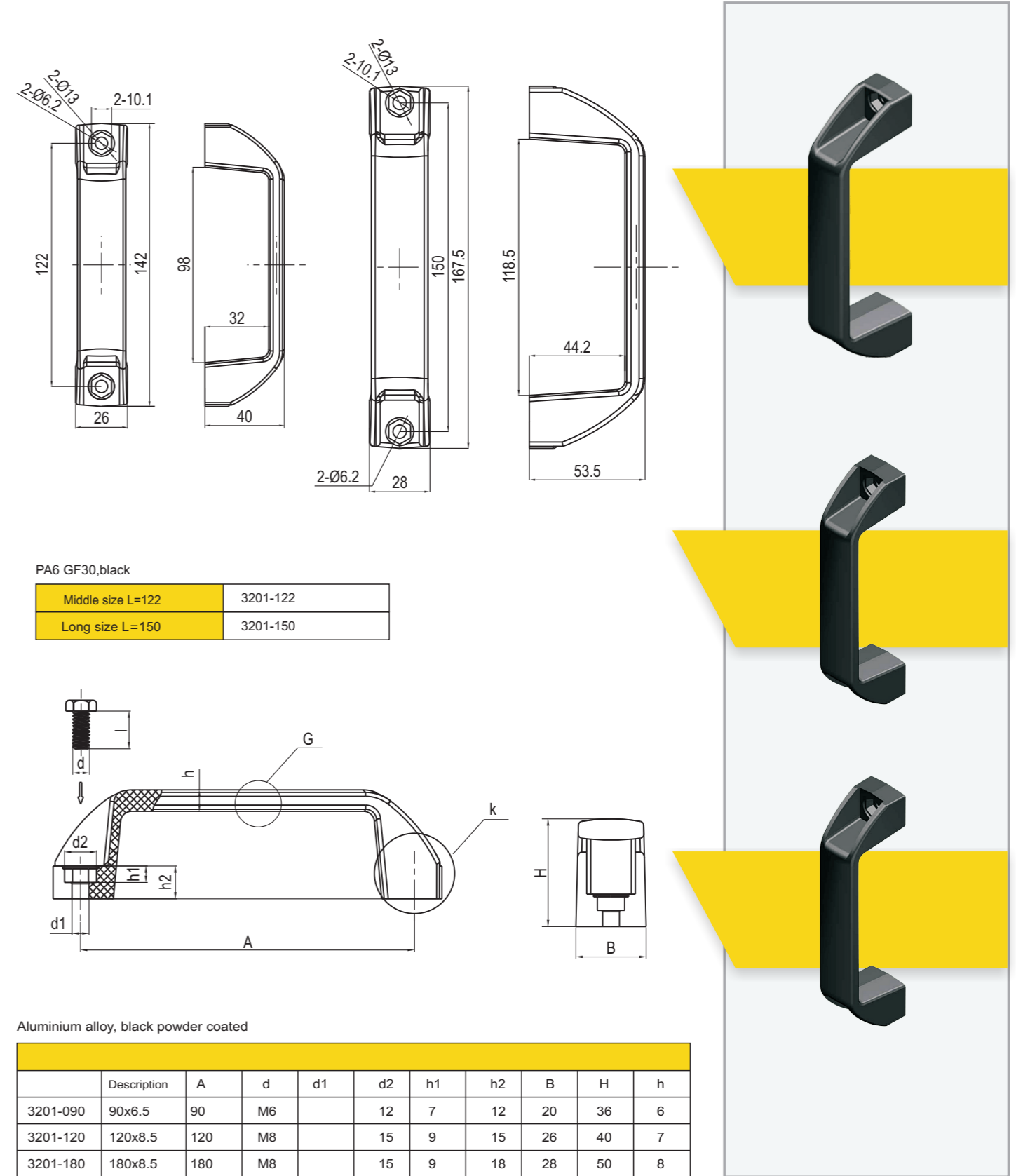
L	D	d	S	m.s raw m.s pin	m.s raw brass pin	SUS 304
40	Ø8	Ø5	9.5	2416-40A-01	2416-40A-59	2416-40A-304
50	Ø8	Ø5	9.5	2416-50A-01	2416-50A-59	2416-50A-304
60	Ø10	Ø6	12.0	2416-60A-01	2416-60A-59	2416-60A-304
70	Ø11.5	Ø7	13.5	2416-70A-01	2416-70A-59	2416-70A-304
80	Ø13	Ø8	15.5	2416-80A-01	2416-80A-59	2416-80A-304
100	Ø16	Ø10	20.0	2416-100A-01	2416-100A-59	2416-100A-304
120	Ø16	Ø11	20.0	2416-120A-01	2416-120A-59	2416-120A-304
135	Ø18	Ø12	22.0	2416-135A-01	2416-135A-59	2416-135A-304
150	Ø20	Ø13	25.0	2416-150A-01	2416-150A-59	2416-150A-304
180	Ø20	Ø14	25.0	2416-180A-01	2416-180A-59	2416-180A-304
200	Ø23	Ø16	28.5	2416-200A-01	2416-200A-59	2416-200A-304





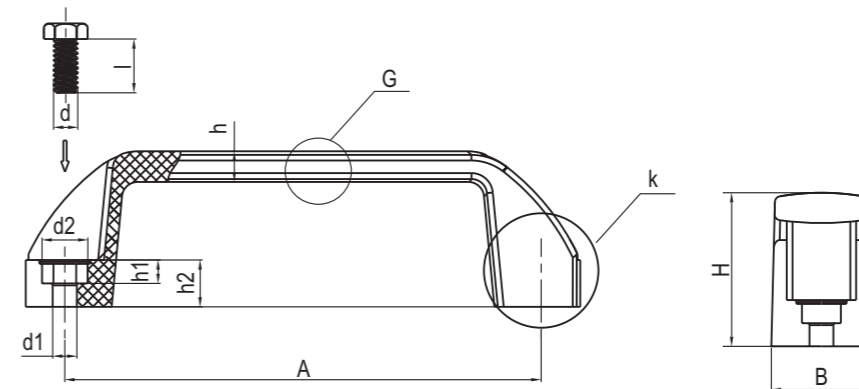
M.S. zinc plated, rubber cover

3101-01
---------



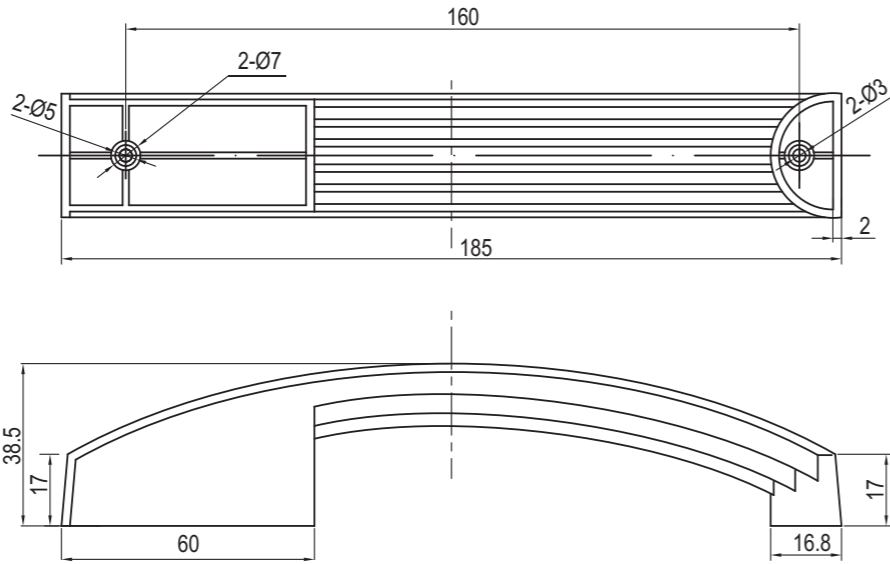
PA6 GF30, black

Middle size L=122	3201-122
Long size L=150	3201-150



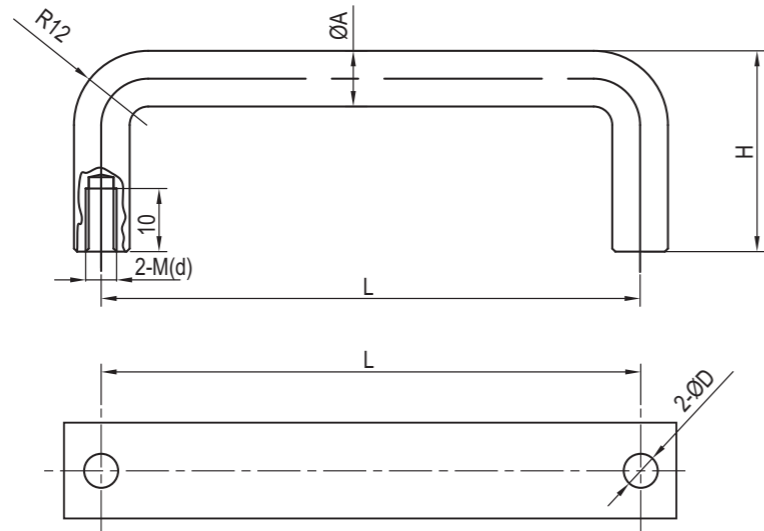
Aluminium alloy, black powder coated

	Description	A	d	d1	d2	h1	h2	B	H	h
3201-090	90x6.5	90	M6		12	7	12	20	36	6
3201-120	120x8.5	120	M8		15	9	15	26	40	7
3201-180	180x8.5	180	M8		15	9	18	28	50	8



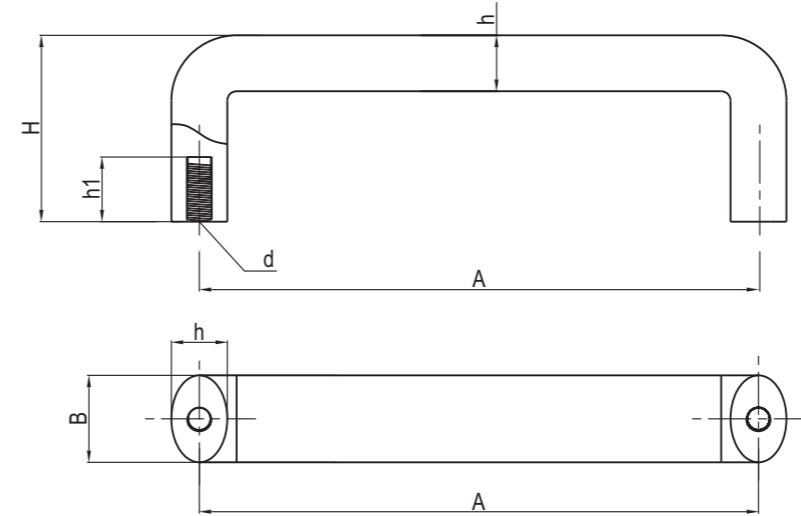
PA6 GF30, black or gray

	3202-185
--	----------



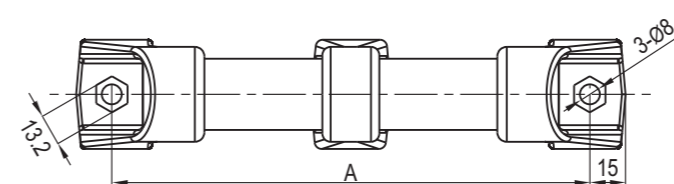
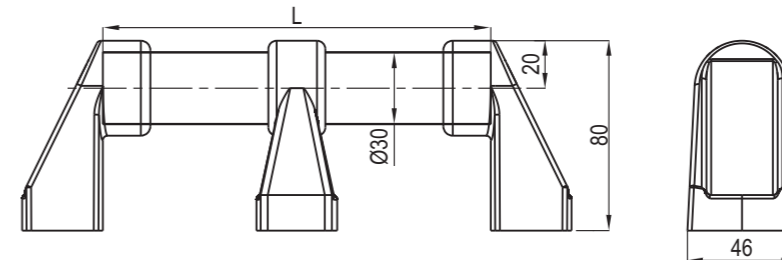
Steel, bright chrome, or stainless steel

L	A	H	D	d	SUS 304	Steel
87	Ø9	40	2-Ø6	2-M5	3203-08740-9304	3203-08740-901
100	Ø9	40	2-Ø6	2-M5	3203-10040-9304	3203-10040-901
120	Ø9	40	2-Ø6	2-M5	3203-12040-9304	3203-12040-901
135	Ø9	40	2-Ø6	2-M5	3203-13540-9304	3203-13540-901
150	Ø9	40	2-Ø6	2-M5	3203-15040-9304	3203-15040-901



PA6 GF30, black

	Description	A	H	d	h1	B	h
3204-090	90xM6	90	50	M6	14	28	18
3204-120	120xM8	120	60	M8	16	28	20
3204-180	180xM8	180	60	M8	16	28	20
3204-240	240xM8	240	60	M8	16	28	20



PA+GF

Ending base:3205-01

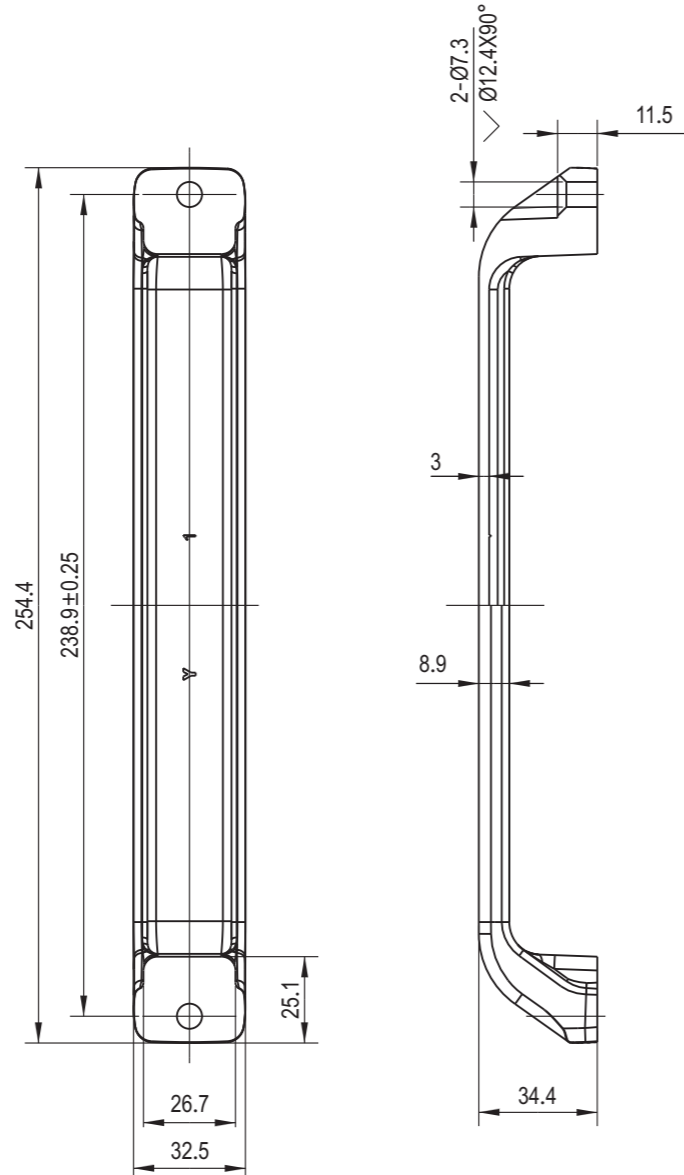
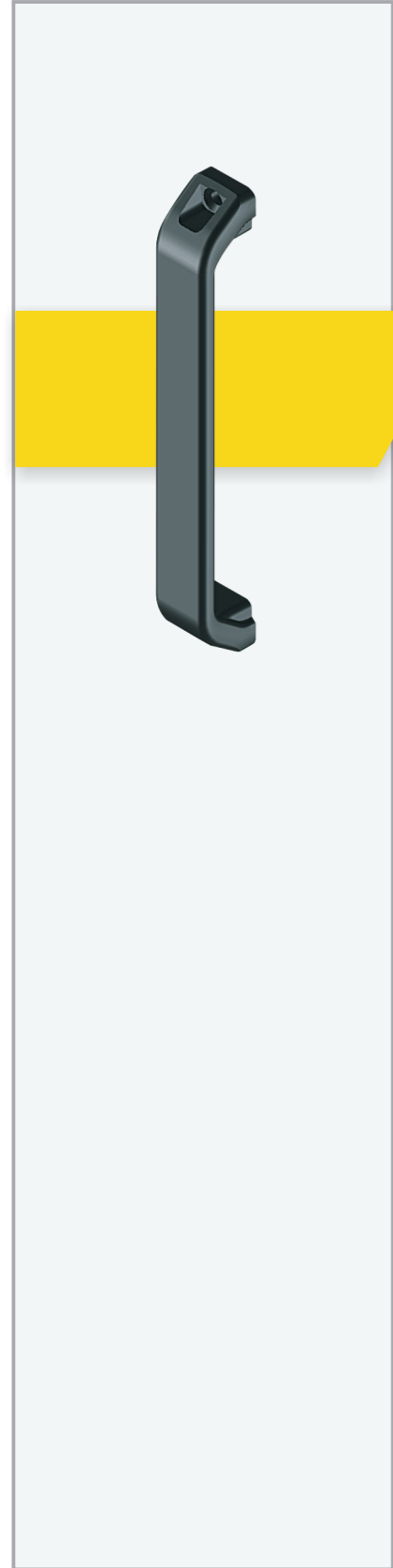
Middle base:3205-02

Tube: 3205-03-A (see below table)

L	A	L	A
266	300	366	400
466	500	566	600
666	700	766	800

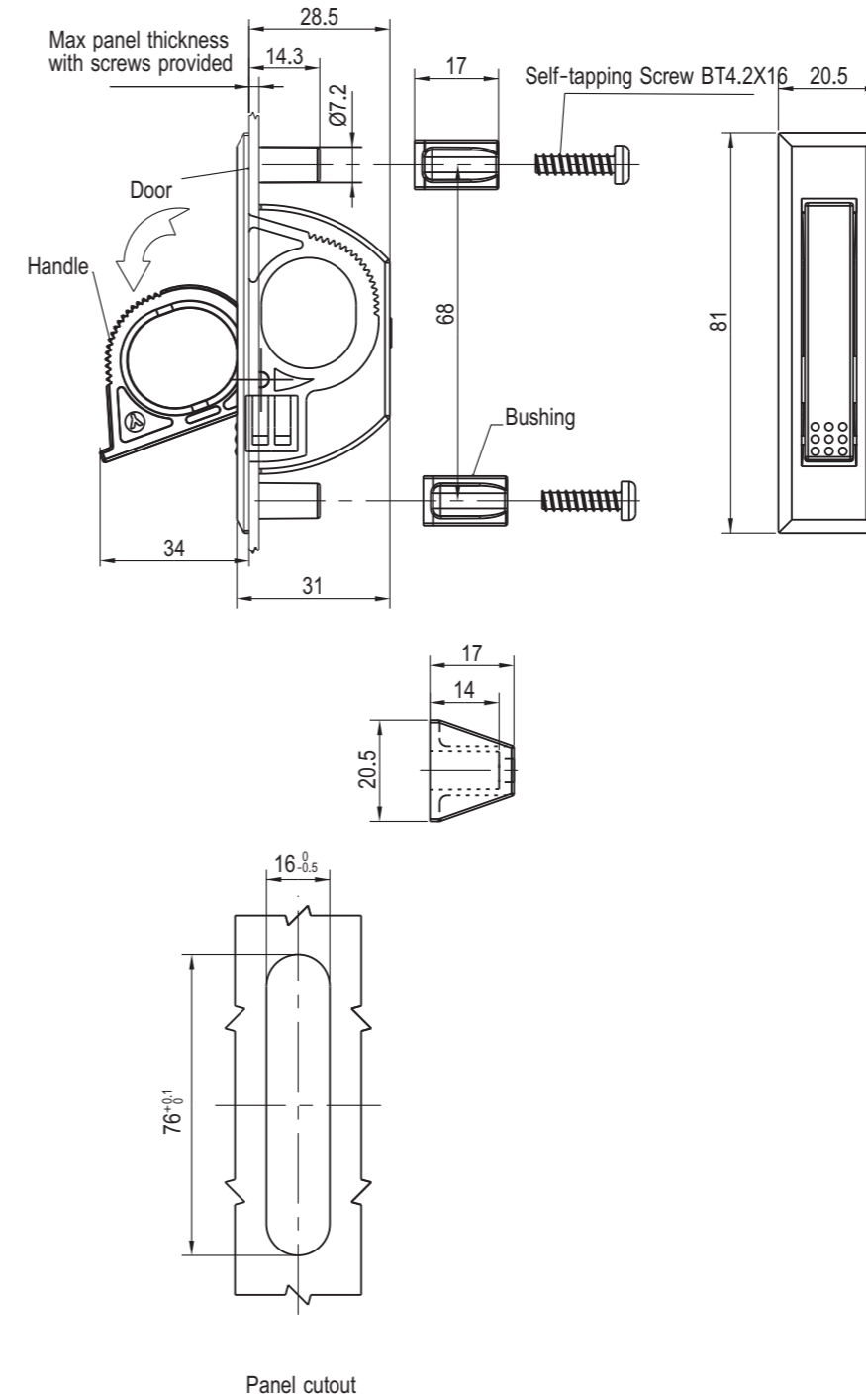
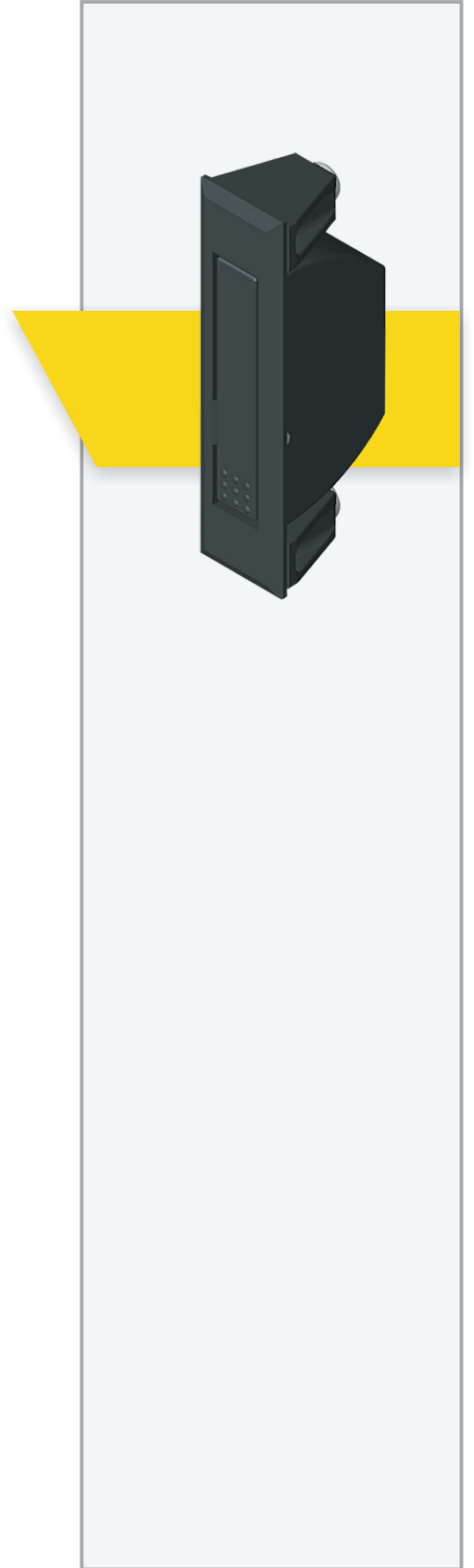






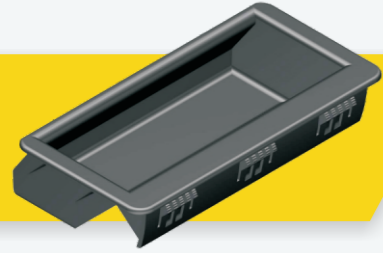
Zinc die, black smooth powder coated

Center Distance	
L=238.85	3206-239-10

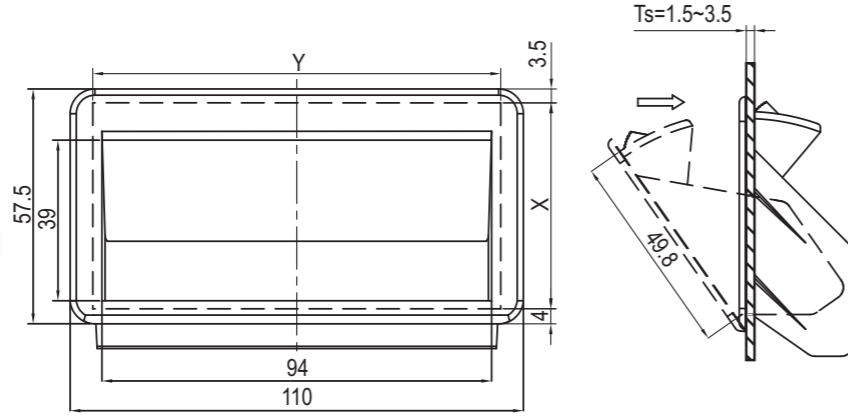


Pa6 handle and housing, POM bushing, SUS304 self-tapping screw and pin, black finish

Middle Size	
	3207-68-90



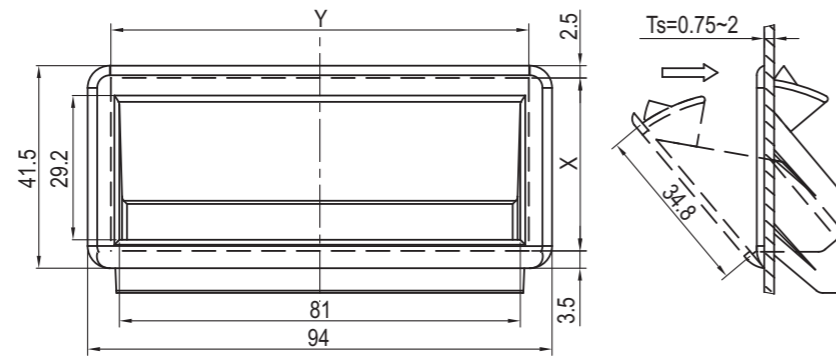
Large size



Panel cutout

Ts(mm)	X	Y
1.5~2	49.8 +0.2	99.5
2~3	50 +0.3	99.5

Small size

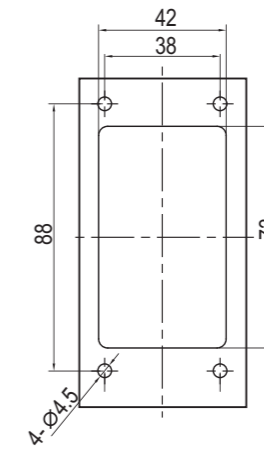
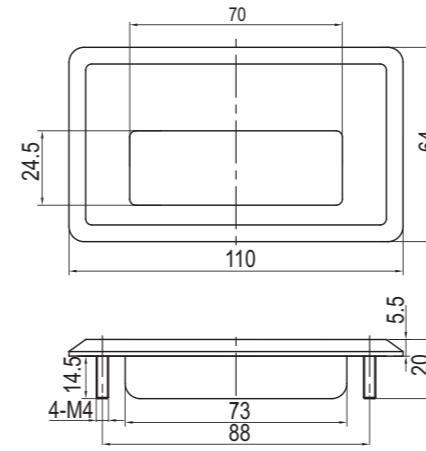
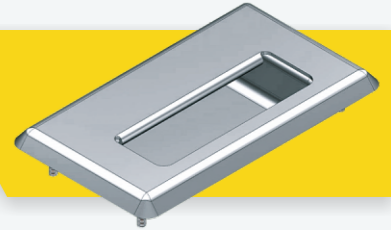


Panel cutout

Ts(mm)	X	Y
0.75~1	35 +0.2	85 +0.3
1~2	36 +0.2	85 +0.3

PA6 GF30,black

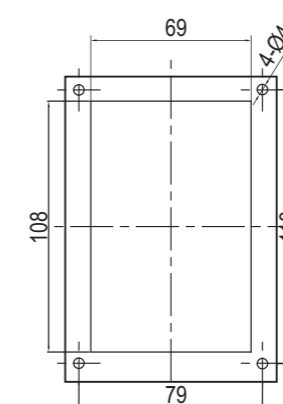
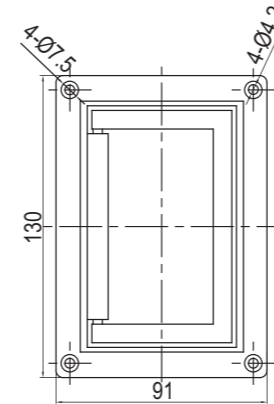
Material	Color	Part Number
PA6 GF30	black	3301-01
PA6 GF30	black	3301-02



Stainless steel

Material	Color	Part Number
Stainless steel	black	3302-01

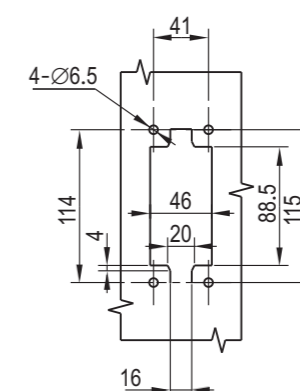
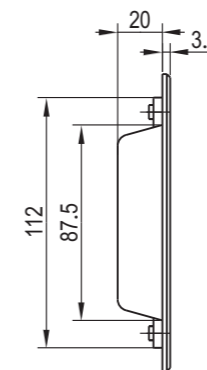
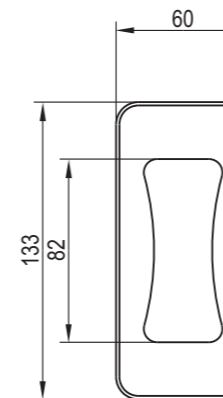
Panel cutout



Zinc die,black powder coated.

Material	Color	Part Number
Zinc die,black powder coated.	black	3303-01

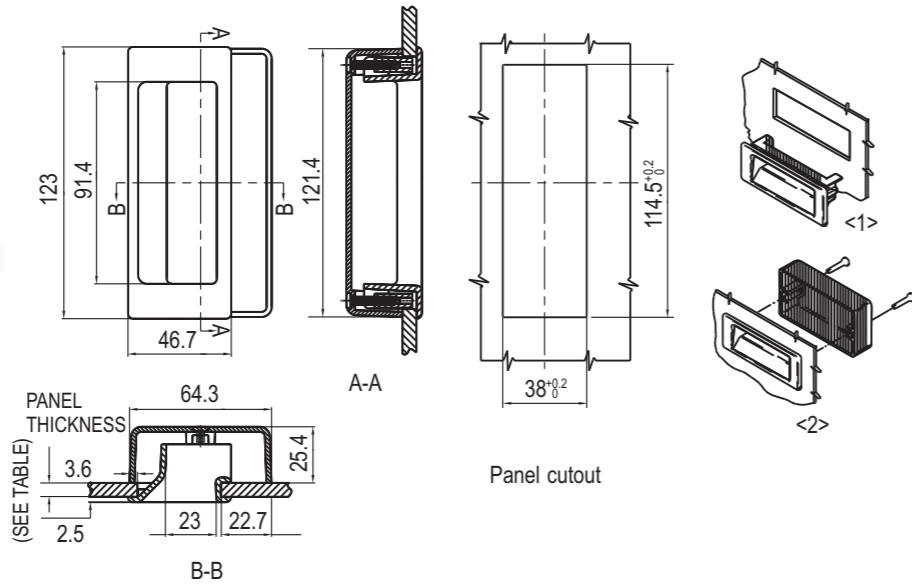
Panel cutout



Zinc die,black powder coated.

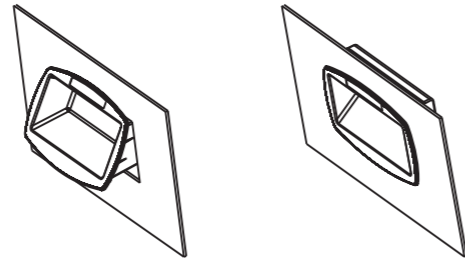
Material	Color	Part Number
Zinc die,black powder coated.	black	3308-01-20



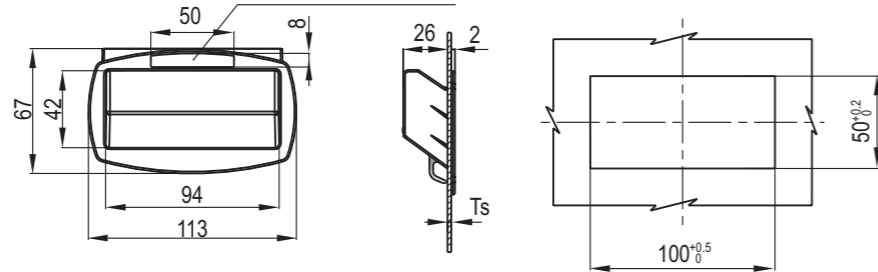


Black ABS

Min ~Max	
1.0-1.8	3305-01
1.8-3.3	3305-02
3.3-4.8	3305-03
4.8-6.3	3305-04



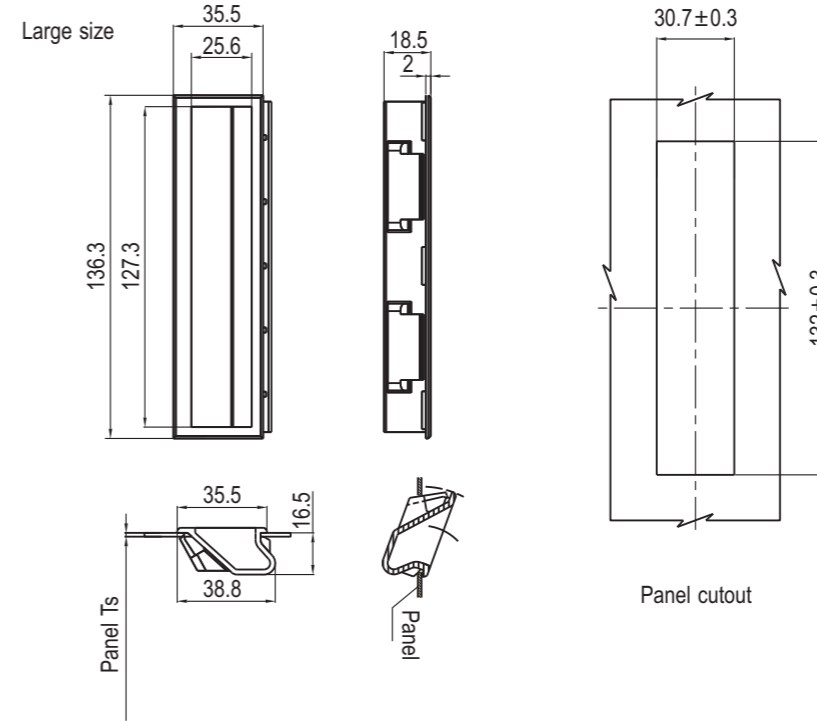
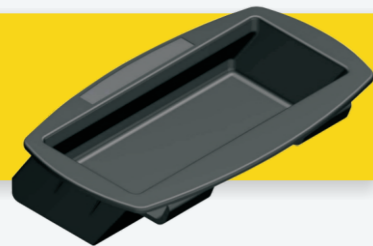
Customer special logo can be here.  
Logo size: 50X80



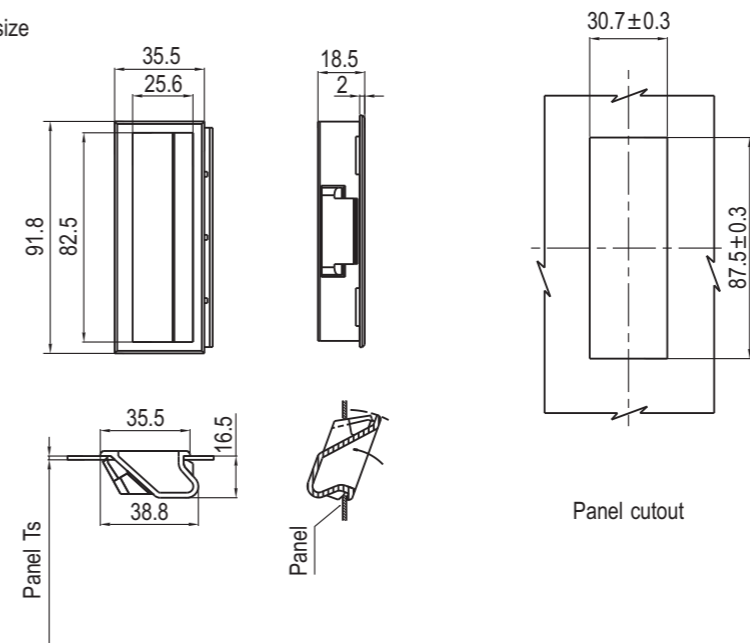
Black PA+GF

Panel Ts= Min ~Max	
0.8~1.2	3307-01
1.2~1.6	3307-02
1.75~2.2	3307-03

Panel cutout



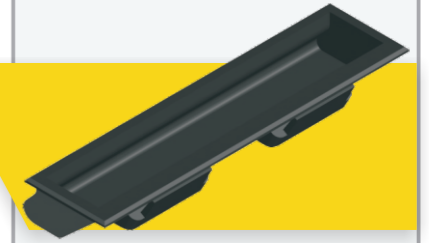
Small size



Black ABS

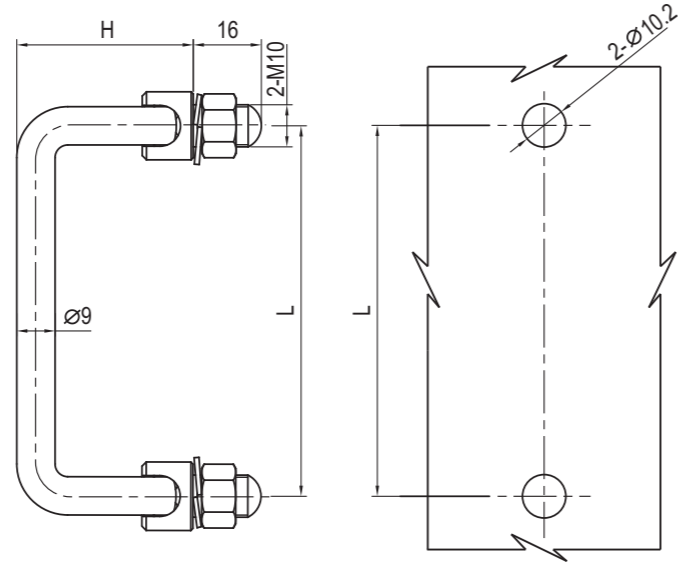
Panel Ts= Min ~Max	Size	
	Large size	Small size
1.0~1.4	3306-11	3306-21
1.4~1.8	3306-12	3306-22
1.8~2.1	3306-13	3306-23
2.1~2.5	3306-14	3306-24

Panel cutout





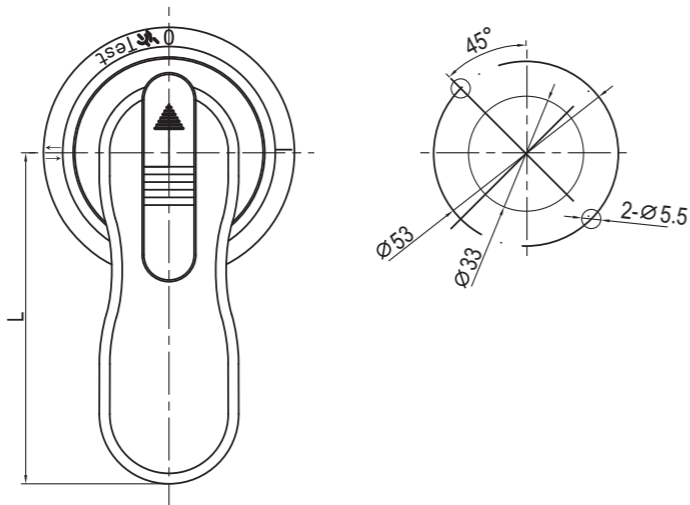
Folding Handles



Steel in bright chrome, or full stainless steel

L	H=41.5, Ø 9.0	
	SUS 304	Steel
L=87	3401-87-304	3401-87-30
L=100	3401-100-304	3401-100-30
L=120	3401-120-304	3401-120-30
L=135	3401-135-304	3401-135-30
L=150	3401-150-304	3401-150-30

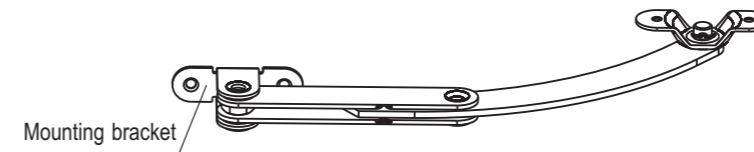
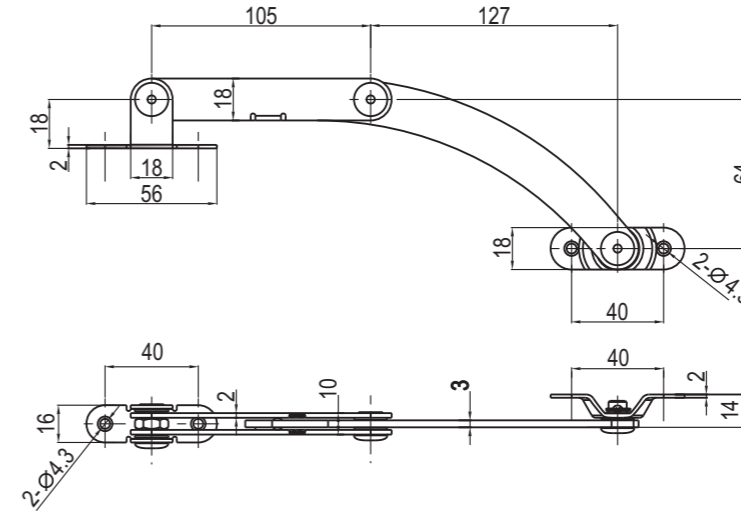
Handles



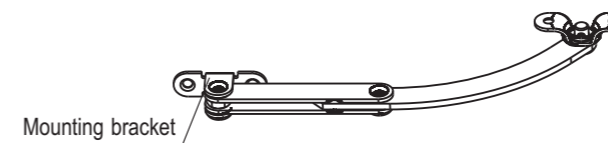
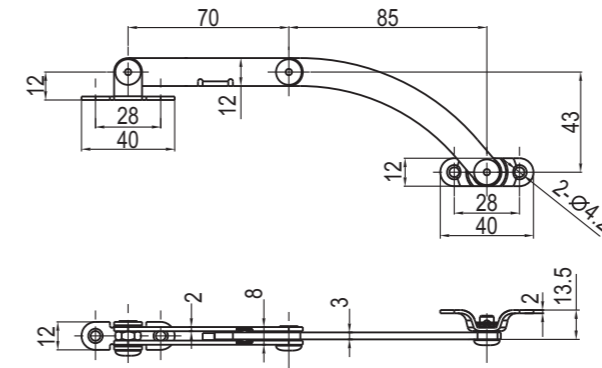
PA6 GF30, black or grey

L	45	65	95	120
Black	3501-45-10	3501-65-10	3501-95-10	3501-125-10
Grey	3501-45-50	3501-65-50	3501-95-50	3501-125-50

Long size



Short size

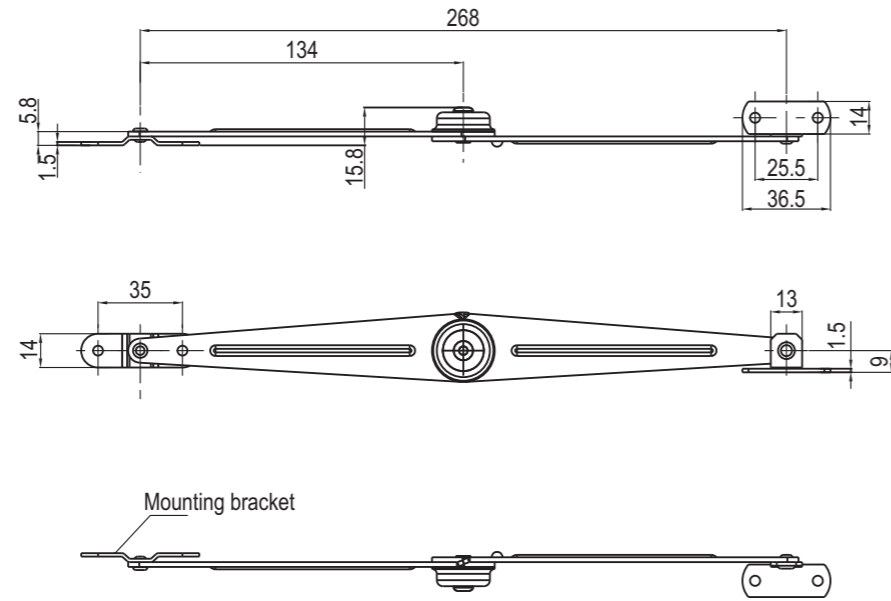


M.S. nickel plated

	Left opening	Right opening
Long size	6101-01L	6101-01R
Short size	6101-02L	6101-02R

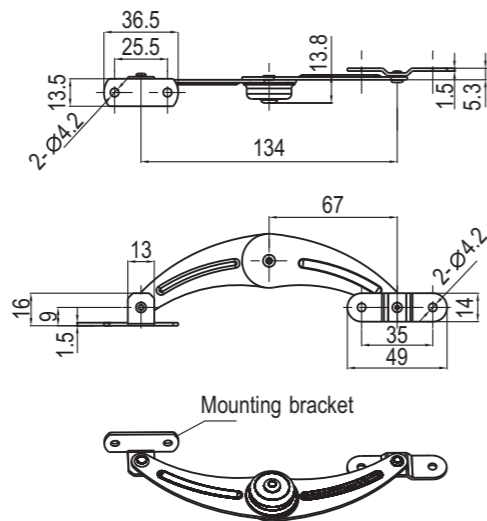


**RL**



M.S. nickel plated

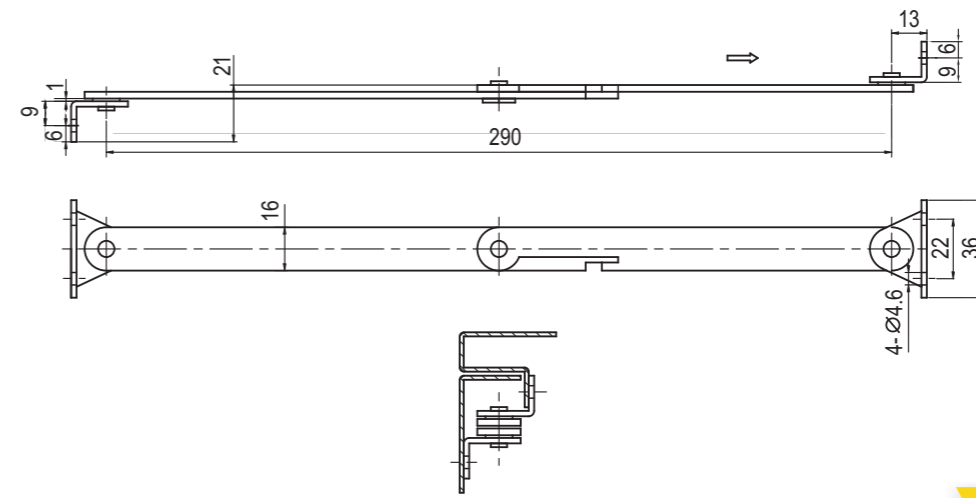
Left opening	6102-01
Right opening	6102-02



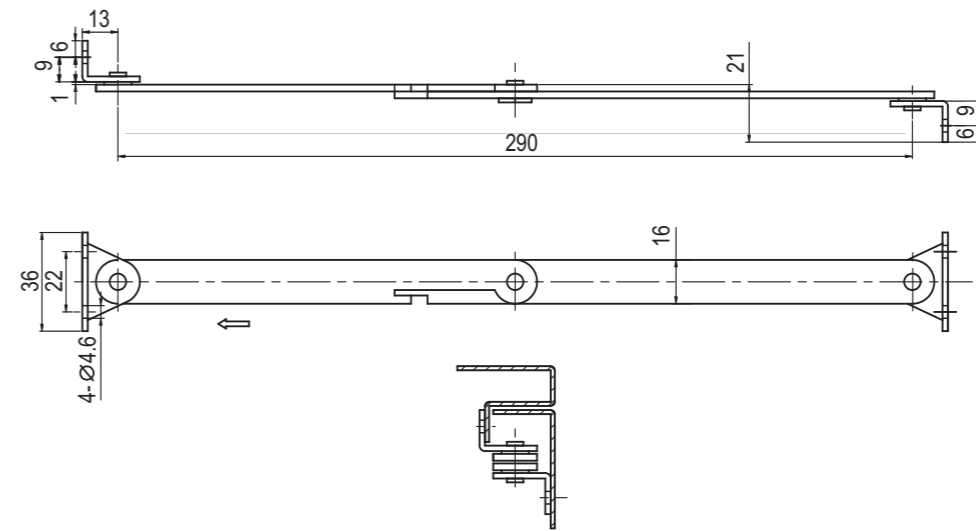
M.S. nickel plated

Left opening	6103-01
Right opening	6103-02

**LRS**  
STAINLESS SERIES



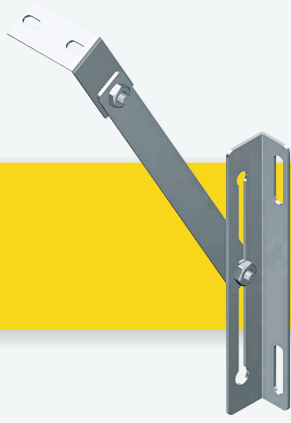
Left opening



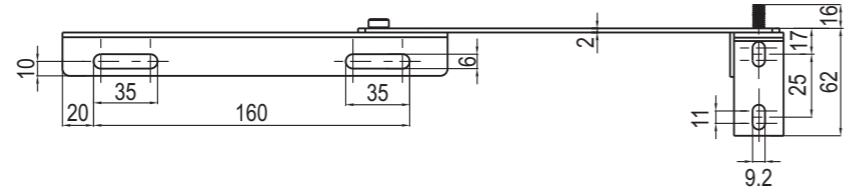
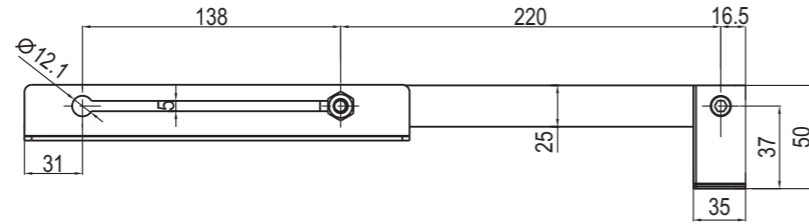
Right opening

M.S. nickel plated or stainless steel

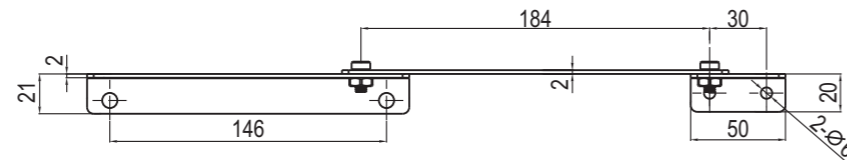
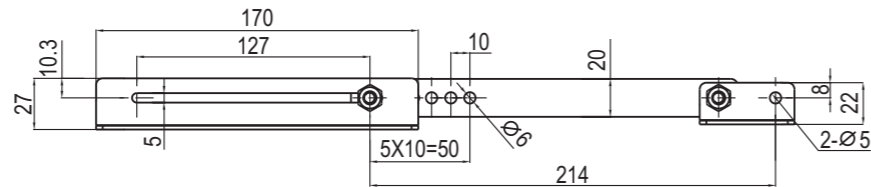
	Steel in nickel plated	SUS 304
Left opening	6104-01-00	6104-01-304
Right opening	6104-02-00	6104-02-304



Long size

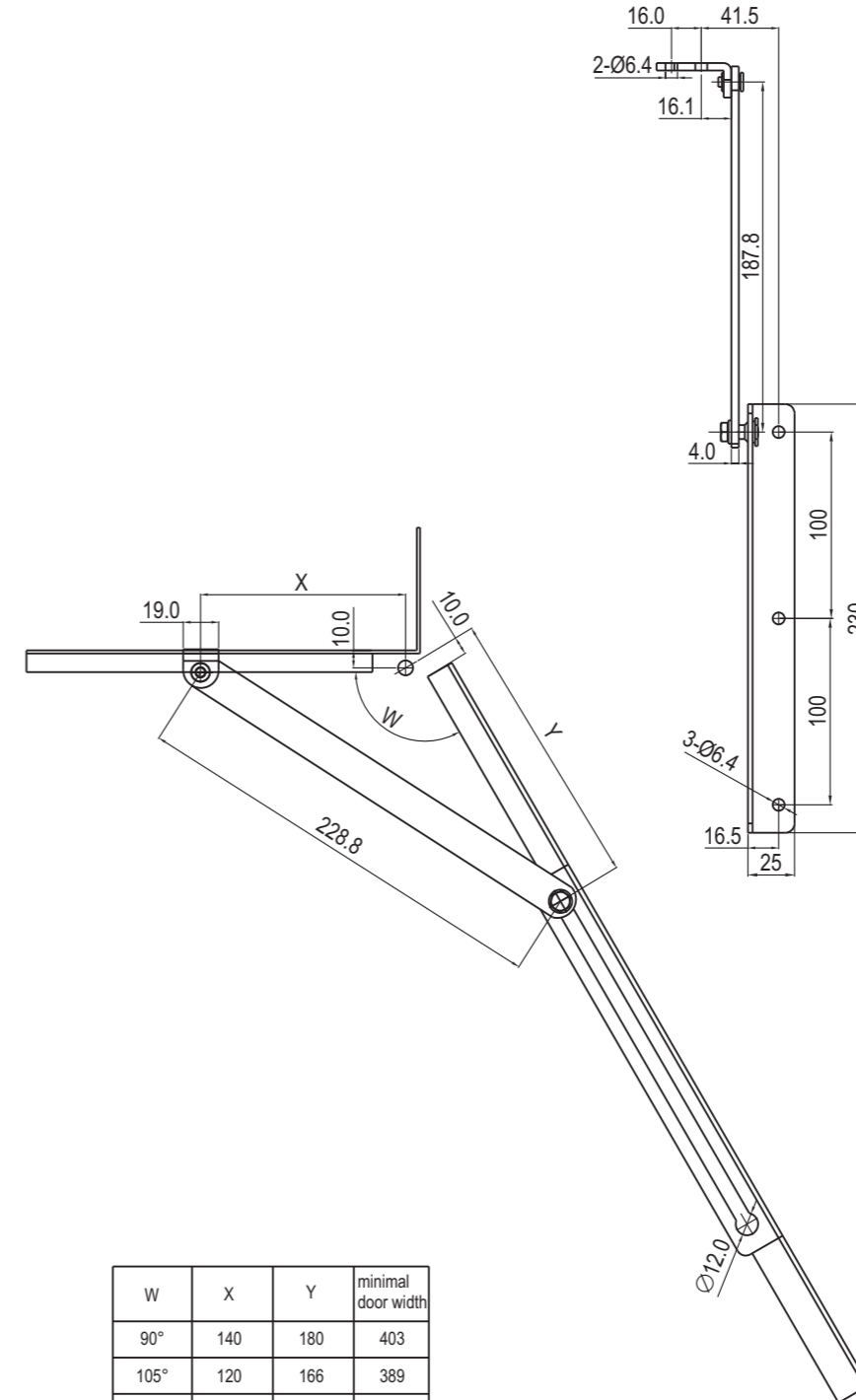


Short size



M.S. nickel plated or Stainless steel

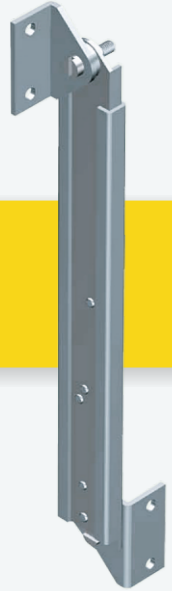
	Steel in nickel plated	SUS 304
Long size	6105-01-00	6105-01-304
Short size	6105-02-00	6105-02-304



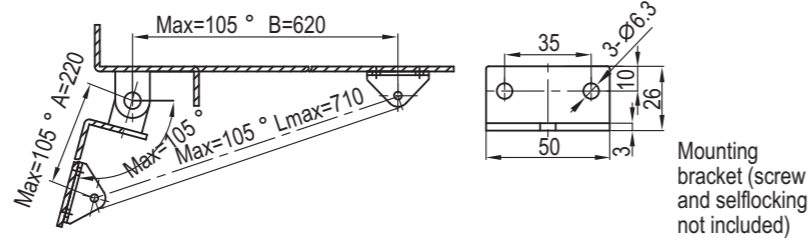
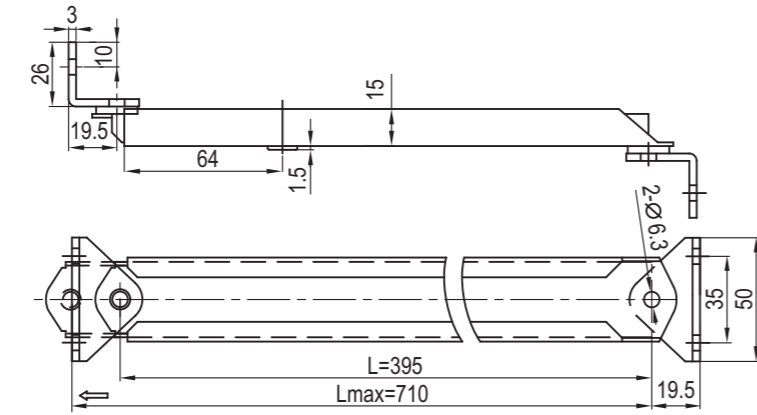
W	X	Y	minimal door width
90°	140	180	403
105°	120	166	389
120°	110	150	373
135°	100	146	369

M.S.zinc plated	6106-01-01
SUS 304	6106-01-304

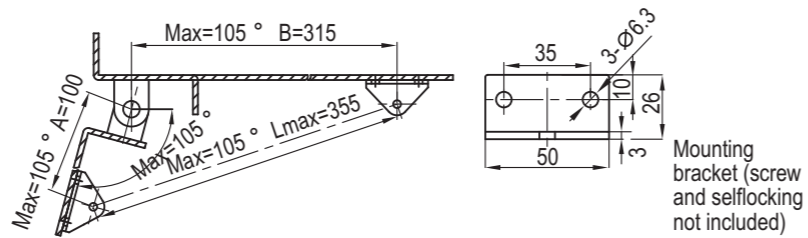
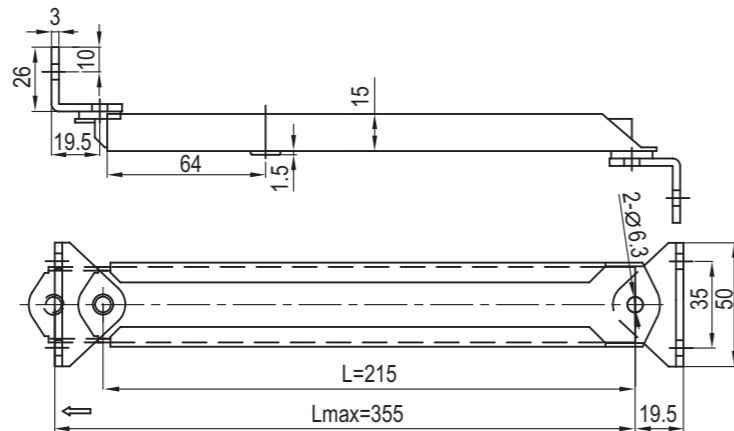
**RL**



Long size



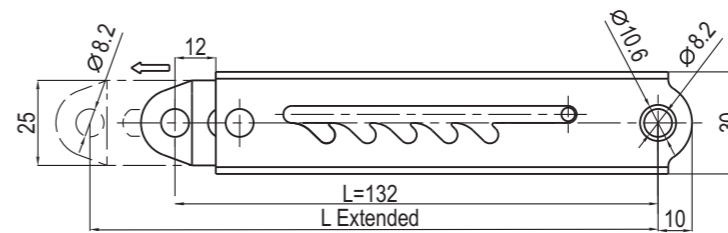
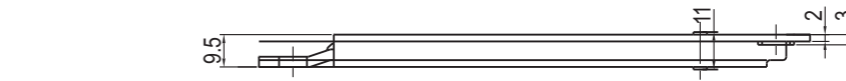
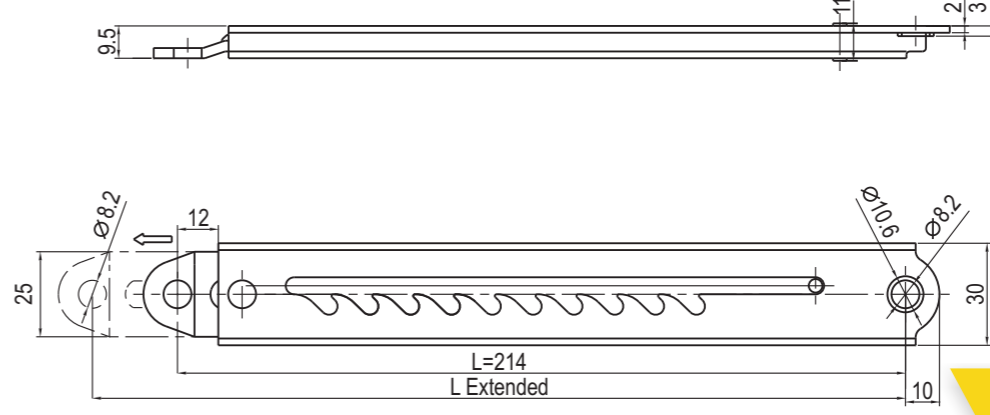
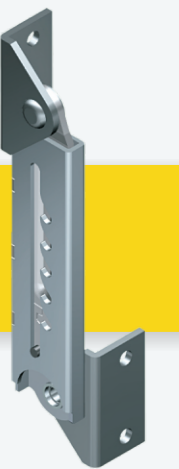
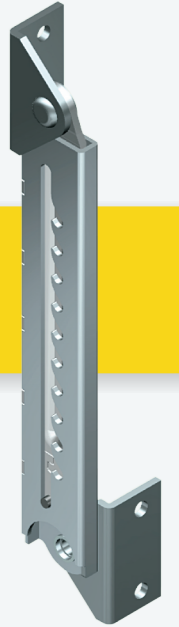
Short size



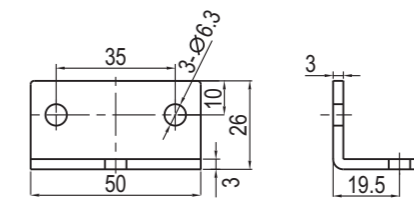
M.S. zinc plated

	Steel in zinc plated
Long size	6201-01-00
Short size	6201-02-00

**RL**



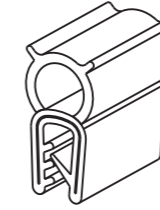
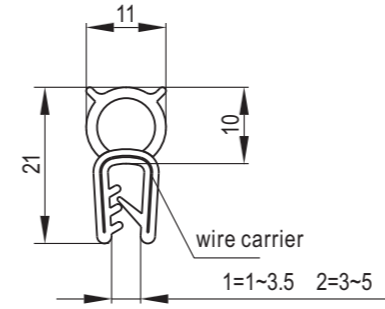
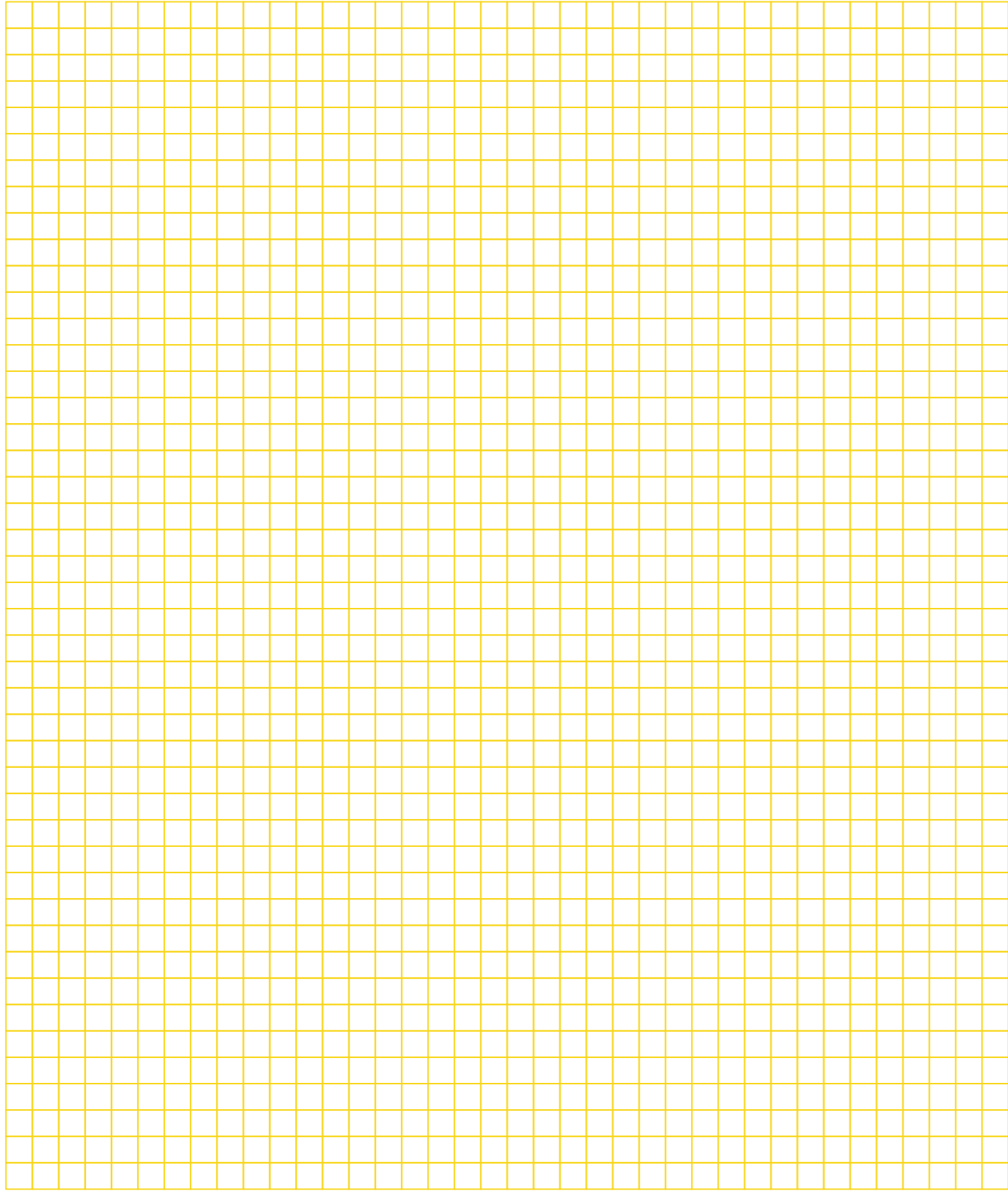
Stop	Long size L Extended	Short size L Extended
1.	234.5	164
2.	248	177
3.	261	189.5
4.	274.5	202
5.	288	214.5
6.	301	
7.	314.5	
8.	327	
9.	340.5	
10.	354	



Mounting bracket (screw and selflocking not include)  
Note: The cover stay is sold with mounting bracket and related accessories together as standard.

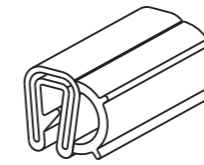
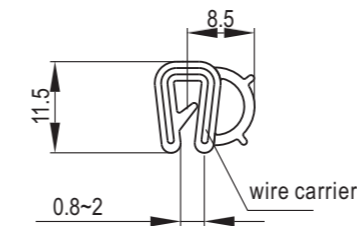
M.S. zinc plated

	Stops q.ty	Steel in zinc plated
Long size	10	6301-01-00
Short size	5	6301-02-00



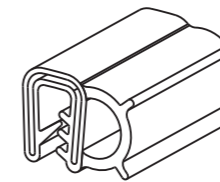
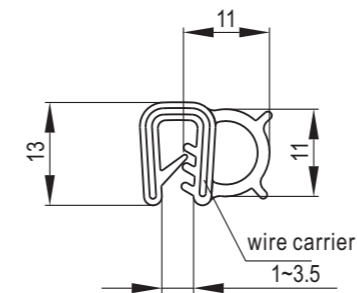
Sponge-rubber, black epdm gasket

Ts	
1-3.5	7201-211
3-5	7201-212



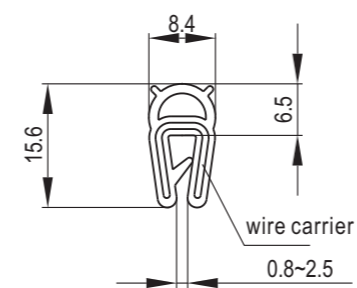
Sponge-rubber, black epdm gasket

	7202-115
--	----------



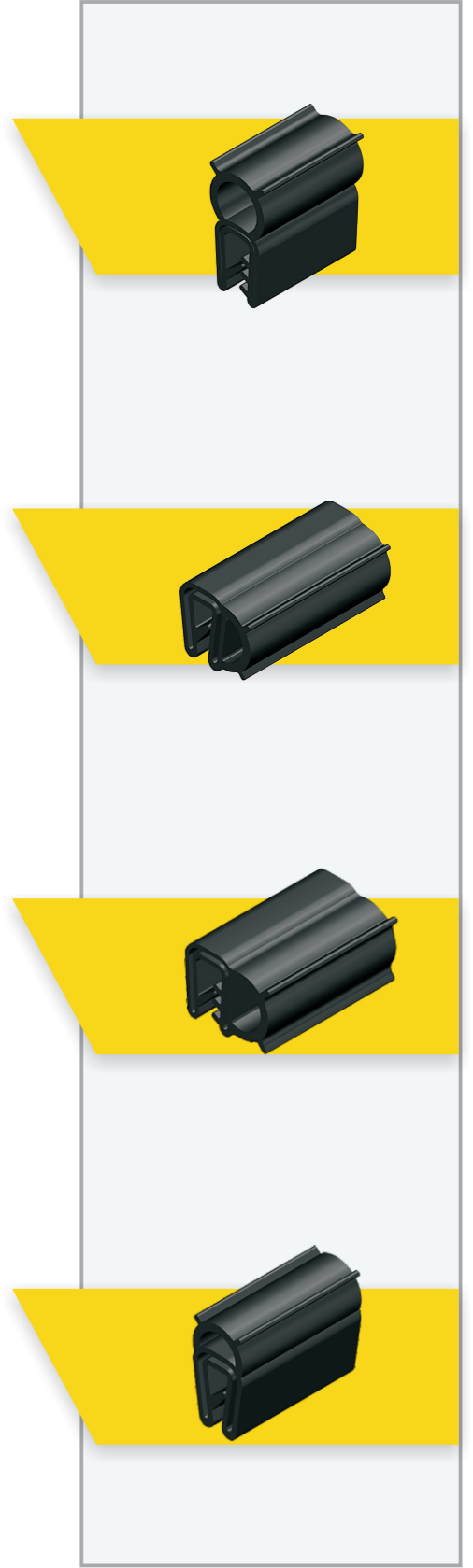
Sponge-rubber, black epdm gasket

	7203-13
--	---------

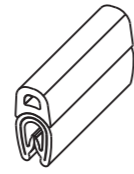
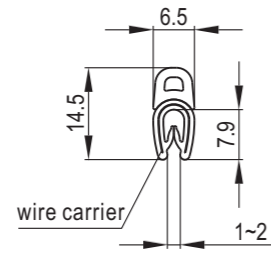


Sponge-rubber, black epdm gasket

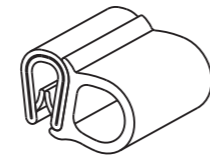
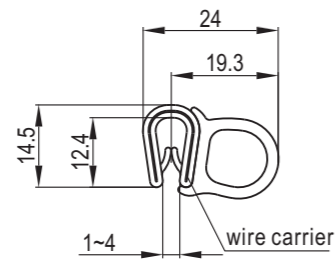
	7203-156
--	----------



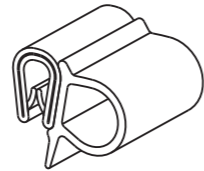
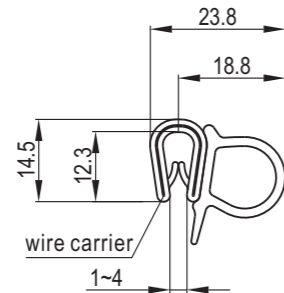




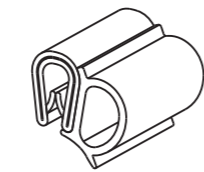
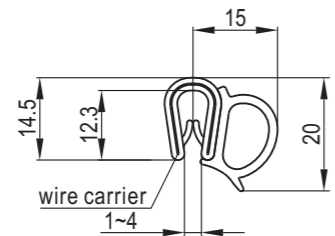
Sponge-rubber,black epdm gasket  
7204-145



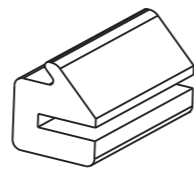
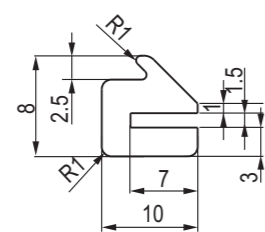
Sponge-rubber,black epdm gasket  
7205-145



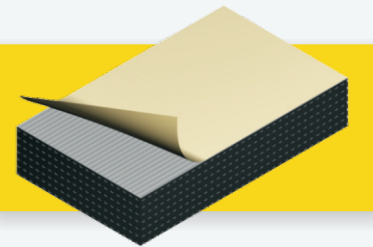
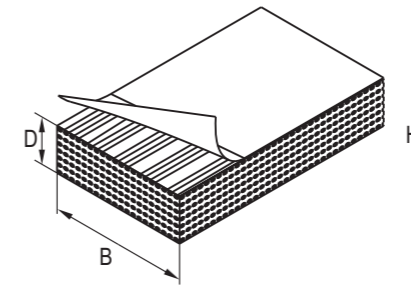
Sponge-rubber,black epdm gasket  
7206-145



Sponge-rubber,black epdm gasket  
7207-145

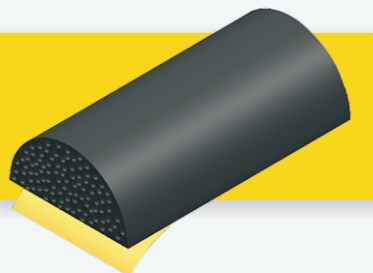
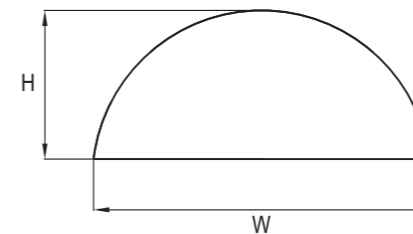


Sponge-rubber,black epdm gasket  
7404-10



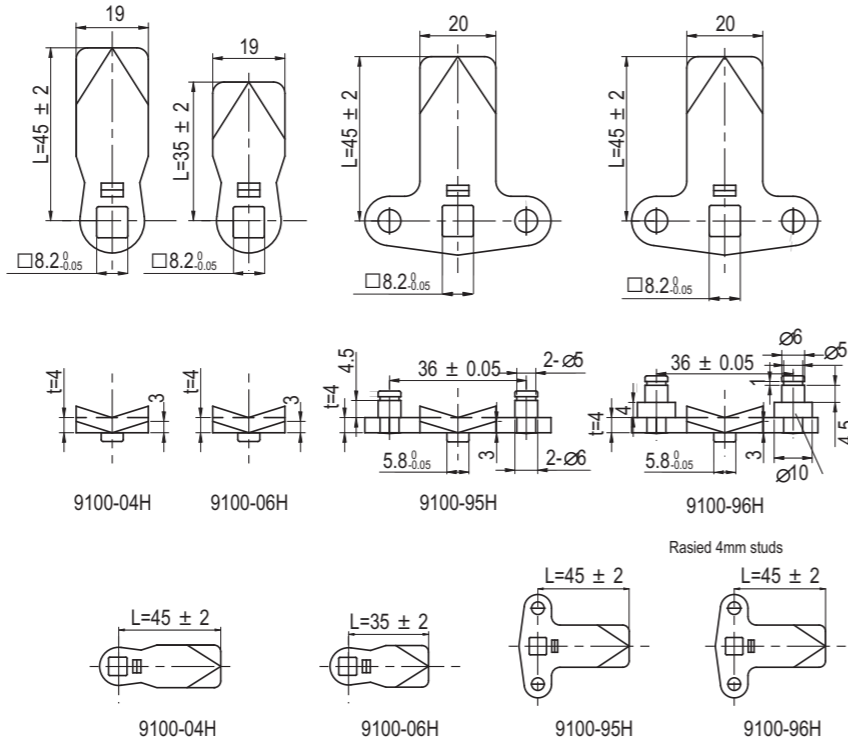
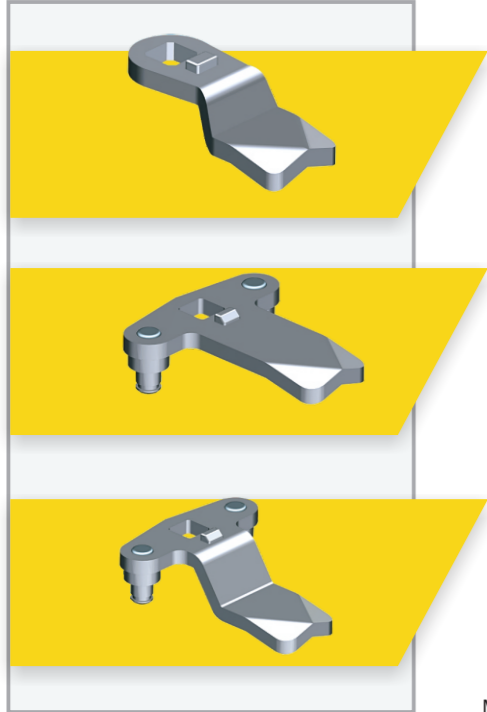
Cell sponge rubber ,black with strtch eliminating self-adhesive backing

Width B	Depth D	EPDM	CR
10	3	7301-1003	7302-1003
	4	7301-1004	7302-1004
	5	7301-1005	7302-1005
15	3	7301-1503	7302-1503
	4	7301-1504	7302-1504
	5	7301-1505	7302-1505
20	3	7301-2003	7302-2003
	4	7301-2004	7302-2004
	5	7301-2005	7302-2005
25	3	7301-2503	7302-2503
	4	7301-2504	7302-2504
	6	7301-2506	7302-2506
30	3	7301-3003	7302-3003
	4	7301-3004	7302-3004
	5	7301-3005	7302-3005



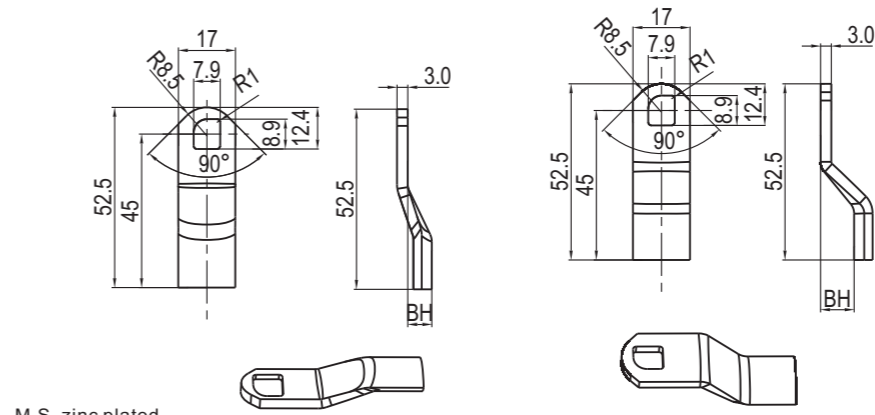
Cell sponge rubber ,black with strtch eliminating self-adhesive backing

H	W	EPDM
7	16	7303-0716
5	16	7303-0516
3	16	7303-0316
8	16	7303-0816
7	10	7303-0710
12	10	7303-1210



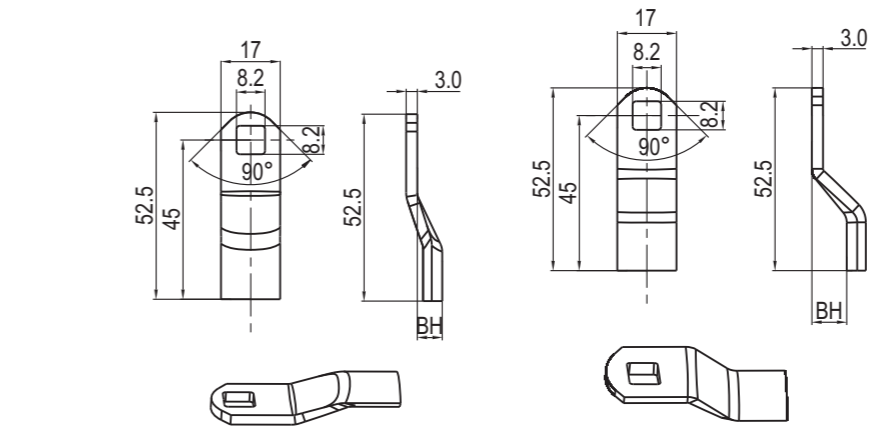
M.S. zinc plated, stainless steel material upon request

H=GH+BH							Cam Part #			
BH	GH=18	GH=30	GH=36	GH=40	GH=50	GH=60				
-16	2	14	20	24	34	44	9100-0402			
-14	4	16	22	26	36	46	9100-0404		9100-9504	9100-9604
-12	6	18	24	28	38	48	9100-0406	9100-0606	9100-9506	9100-9606
-10	8	20	26	30	40	50	9100-0408	9100-0608	9100-9508	9100-9608
-8	10	22	28	32	42	52	9100-0410	9100-0610	9100-9510	9100-9610
-5	13	25	31	35	45	55	9100-0413	9100-0613	9100-9513	9100-9613
-4	14	26	32	36	46	56	9100-0414	9100-0614	9100-9514	9100-9614
-2	16	28	34	38	48	58	9100-0416	9100-0616	9100-9516	9100-9616
0	18	30	36	40	50	60	9100-0418	9100-0618	9100-9518	9100-9618
+2	20	32	38	42	52	62	9100-0420	9100-0620	9100-9520	9100-9620
+4	22	34	40	44	54	64	9100-0422	9100-0622	9100-9522	9100-9622
+6	24	36	42	46	56	66	9100-0424	9100-0624	9100-9524	9100-9624
+7	25	37	43	47	57	67	9100-0425	9100-0625	9100-9525	9100-9625
+8	26	38	44	48	58	68	9100-0426	9100-0626	9100-9526	9100-9626
+10	28	40	46	50	60	70	9100-0428	9100-0628	9100-9528	9100-9628
+12	30	42	48	52	62	72	9100-0430	9100-0630	9100-9530	9100-9630
+14	32	44	50	54	64	74	9100-0432		9100-9532	9100-9632
+16	34	46	52	56	66	76	9100-0434		9100-9534	9100-9634
+17	35	47	53	57	67	77	9100-0435	9100-0635	9100-9535	9100-9635
+18	36	48	54	58	68	78	9100-0436		9100-9536	9100-9636
+20	38	50	56	60	70	80	9100-0438	9100-0638	9100-9538	9100-9638
+22	40	52	58	62	72	82	9100-0440	9100-0640	9100-9540	9100-9640
+24	42	54	60	64	74	84	9100-0442	9100-0642	9100-9542	9100-9642
+26	44	56	62	66	76	86	9100-0444	9100-0644	9100-9544	9100-9644
+27	45	57	63	67	77	87	9100-0445		9100-9545	9100-9645
+29	47	59	65	69	79	89	9100-0447		9100-9547	9100-9647
+32	50	62	68	72	82	92	9100-0450		9100-9550	9100-9650
+35	53	65	71	75	85	95	9100-0453			
+37	55	67	73	77	87	97	9100-0455			



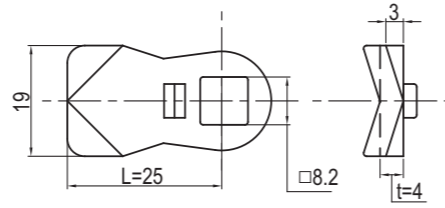
M.S. zinc plated

Cam type	Total grip	Cam offset	Max. outer door Ts For assembled latch	Cam type	Total grip	Cam offset	Max. outer door Ts For assembled latch
9100-0700	15	18	Must use unassembled latch	9100-0710	35	2	7
9100-0701	17	16	Must use unassembled latch	9100-0711	37	4	7
9100-0702	19	14	1	9100-0712	39	6	7
9100-0703	21	12	2	9100-0713	41	8	7
9100-0704	23	10	4	9100-0714	43	10	7
9100-0705	25	8	5	9100-0715	45	12	7
9100-0706	27	6	6	9100-0716	47	14	7
9100-0707	29	4	7	9100-0717	49	16	7
9100-0708	31	2	7	9100-0718	51	18	7
9100-0709	33	0	7	9100-0719	53	20	7



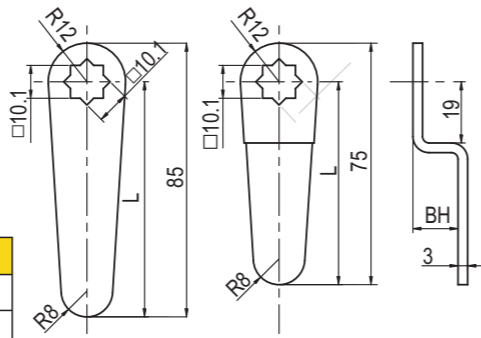
M.S. zinc plated

Cam type	Total grip	Cam offset	Max. outer door Ts For assembled latch	Cam type	Total grip	Cam offset	Max. outer door Ts For assembled latch
9100-0800	15	18	Must use unassembled latch	9100-0810	35	2	7
9100-0801	17	16	Must use unassembled latch	9100-0811	37	4	7
9100-0802	19	14	1	9100-0812	39	6	7
9100-0803	21	12	2	9100-0813	41	8	7
9100-0804	23	10	4	9100-0814	43	10	7
9100-0805	25	8	5	9100-0815	45	12	7
9100-0806	27	6	6	9100-0816	47	14	7
9100-0807	29	4	7	9100-0817	49	16	7
9100-0808	31	2	7	9100-0818	51	18	7
9100-0809	33	0	7	9100-0819	53	20	7



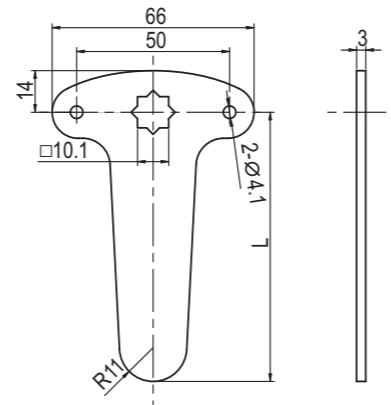
M.S. zinc plated

	L	BH
9100-2518	25	0
9100-2018	20	0



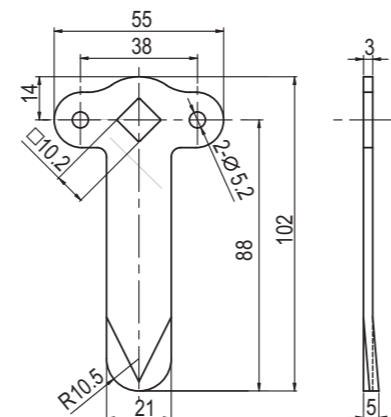
M.S. zinc plated

	L	BH
9100-4901-6002	60	2
9100-4901-6314	63	14
9100-4901-7300	73	0



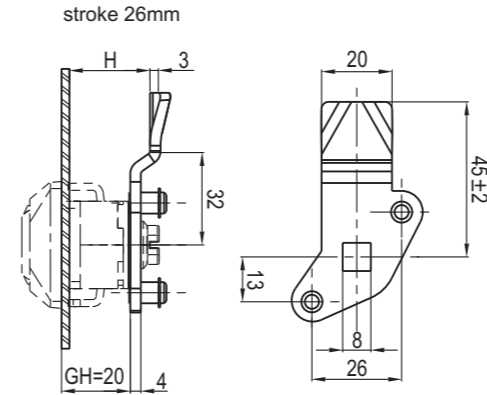
M.S. zinc plated

	L	BH
9100-4902-6012	60	12
9100-4902-8118	81	18
9100-4902-8800	88	0



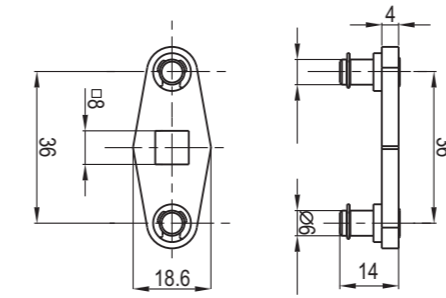
M.S. zinc plated

	L	BH
9100-4501-8800	88	0



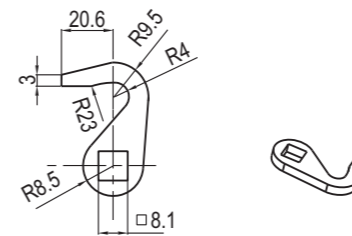
M.S. zinc plated

H	Left	Right
25	9100-9425L	9100-9425R
27	9100-9427L	9100-9427R
29	9100-9429L	9100-9429R
31	9100-9431L	9100-9431R



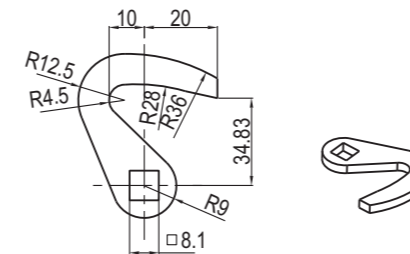
M.S. zinc plated

90 degree square groove with round head rivet	9100-3618A
45 degree square groove with round head rivet	9100-3618B
90 degree square groove with round head rivet and thread	9100-3618C



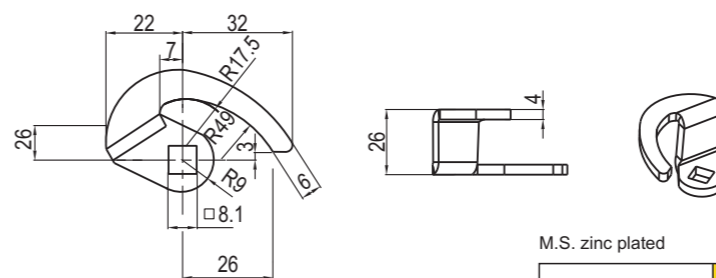
M.S. zinc plated

	9100-1703
--	-----------



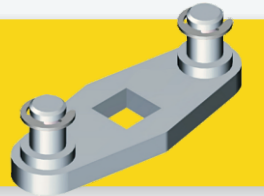
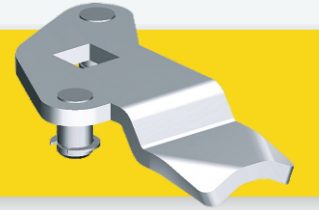
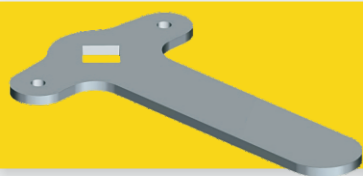
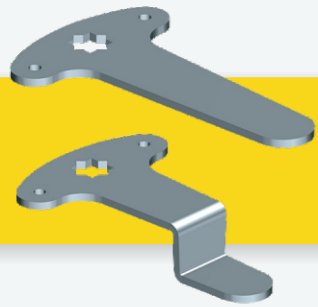
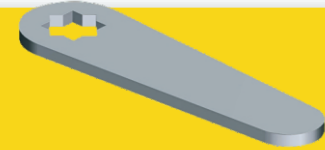
铁镀锌  
M.S. zinc plated

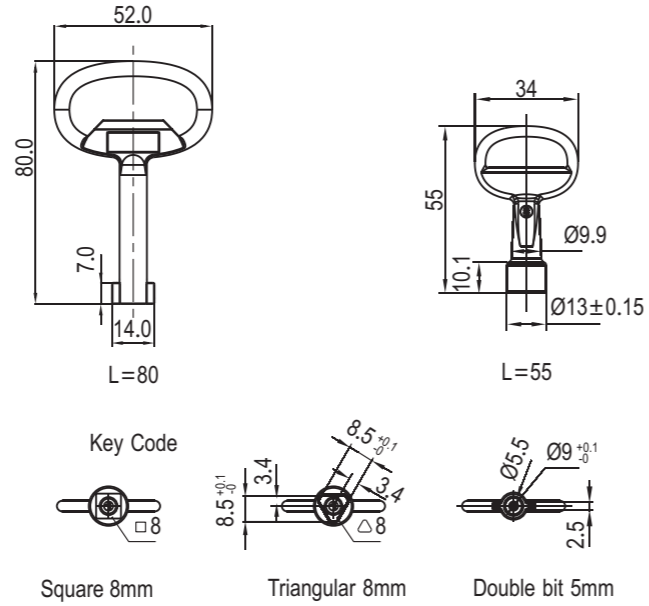
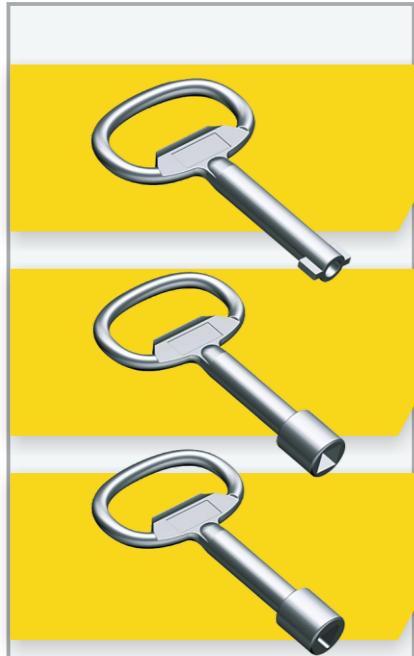
	9100-1701
--	-----------



M.S. zinc plated

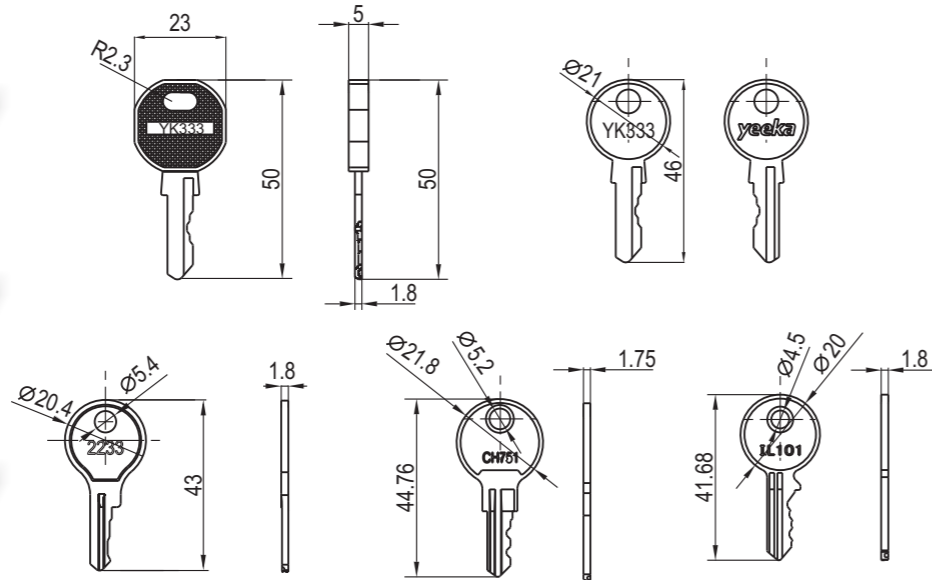
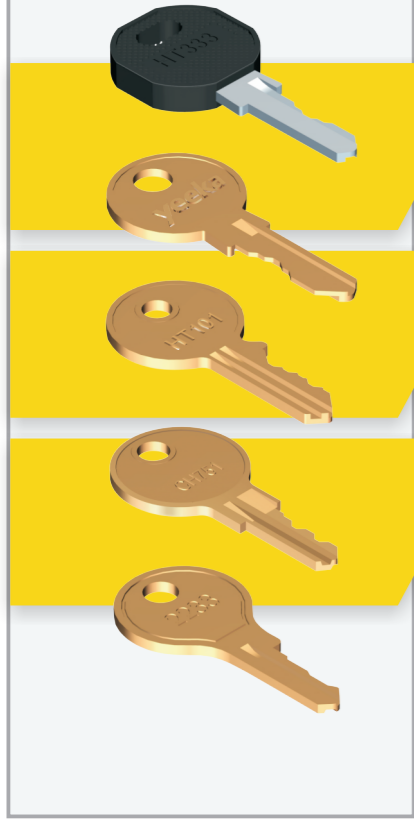
	9100-1702
--	-----------



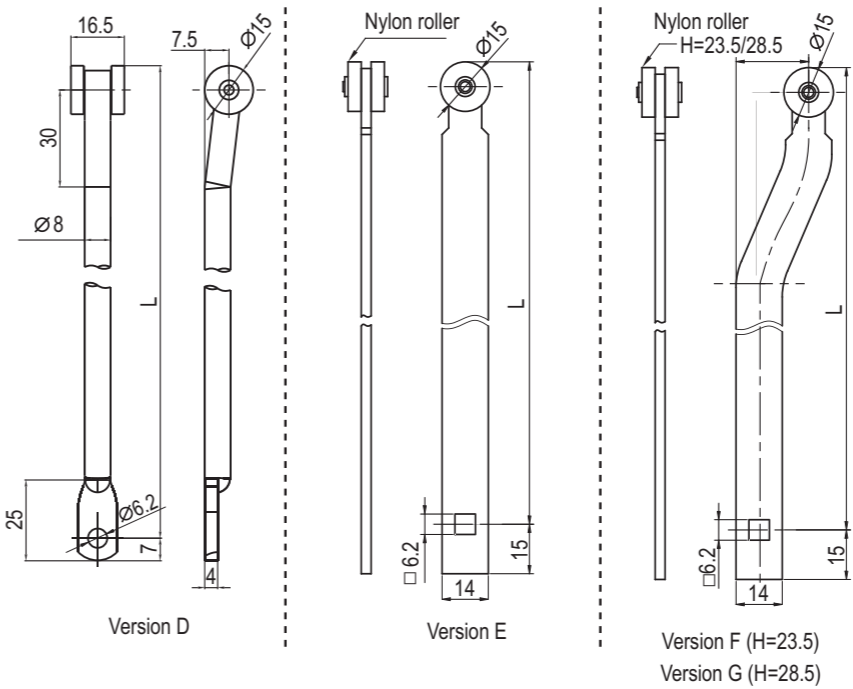
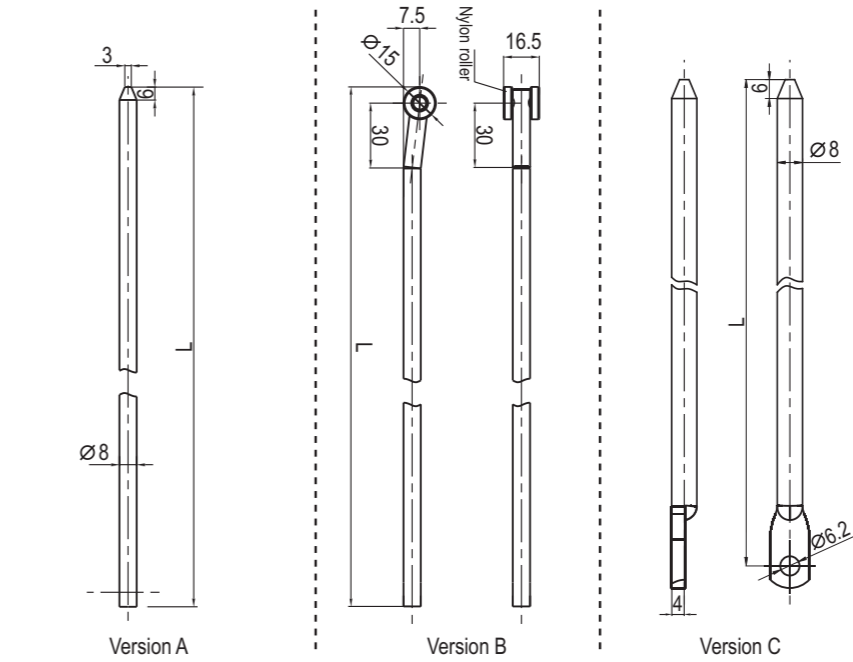


Zinc die, black powder coated or bright chrome

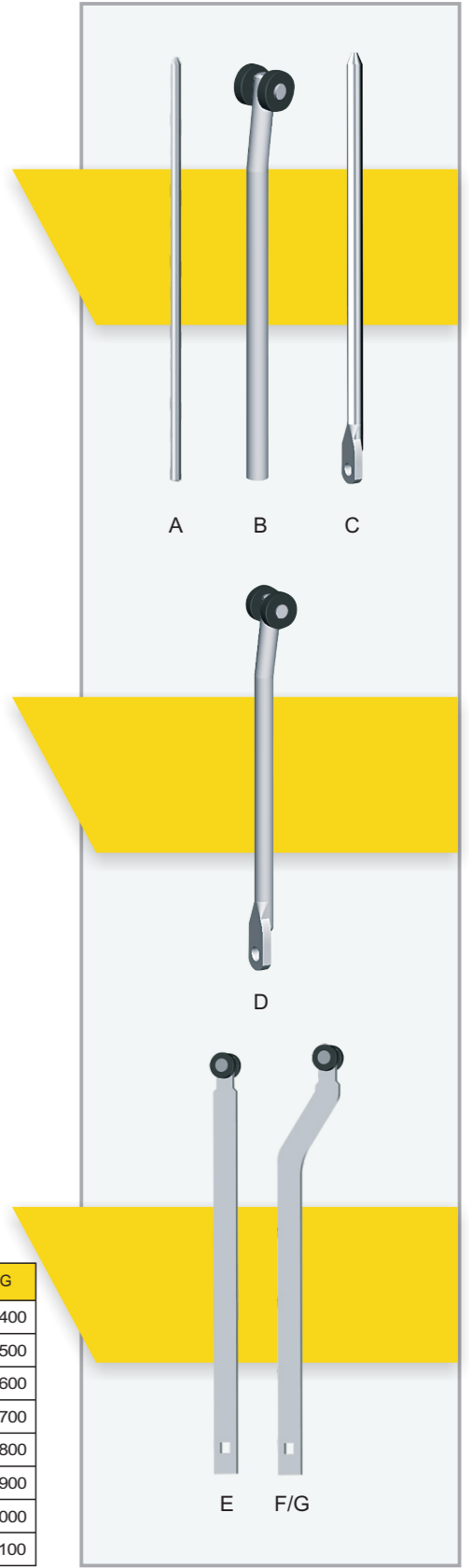
Key type	L=80mm		L=70mm		L=55mm	
	Black powder coated	Bright chrome	Black powder coated	Bright chrome	Black powder coated	Bright chrome
Double Bit 5mm	9200-80-015-20	9200-80-015-30	9200-70-015-20	9200-70-015-30	9200-55-015-20	9200-55-015-30
Triangular 8mm	9200-80-038-20	9200-80-038-30	9200-70-038-20	9200-70-038-30	9200-55-038-20	9200-55-038-30
Square 8mm	9200-80-048-20	9200-80-048-30	9200-70-048-20	9200-70-048-30	9200-55-048-20	9200-55-048-30

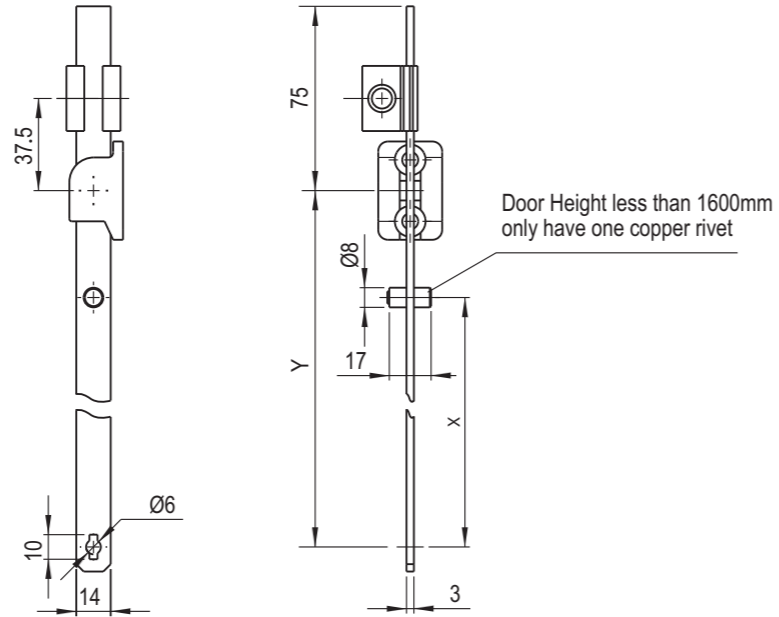
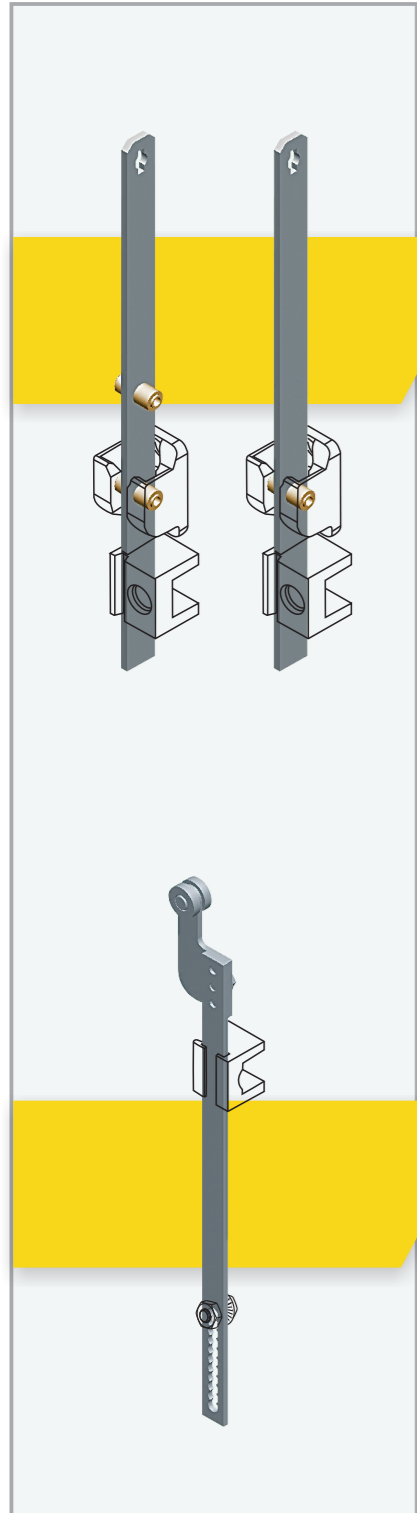


Key type	Key code	Material
9200-333	YK333	Full brass
9200-333PA		PA knob+brass key
9200-751	CH751	Full brass
9200-2233	YK 2233	Full brass
9200-101	YK101	Full brass



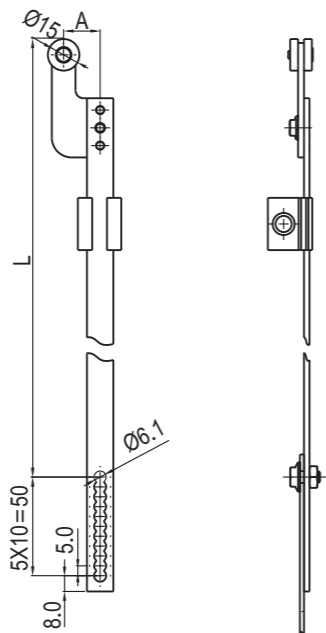
L	Version A	Version B	Version C	Version D	Version E	Version F	Version G
400	9301-A-0400	9301-B-0400	9301-C-0400	9301-D-0400	9301-E-0400	9301-F-0400	9301-G-0400
500	9301-A-0500	9301-B-0500	9301-C-0500	9301-D-0500	9301-E-0500	9301-F-0500	9301-G-0500
600	9301-A-0600	9301-B-0600	9301-C-0600	9301-D-0600	9301-E-0600	9301-F-0600	9301-G-0600
700	9301-A-0700	9301-B-0700	9301-C-0700	9301-D-0700	9301-E-0700	9301-F-0700	9301-G-0700
800	9301-A-0800	9301-B-0800	9301-C-0800	9301-D-0800	9301-E-0800	9301-F-0800	9301-G-0800
900	9301-A-0900	9301-B-0900	9301-C-0900	9301-D-0900	9301-E-0900	9301-F-0900	9301-G-0900
1000	9301-A-1000	9301-B-1000	9301-C-1000	9301-D-1000	9301-E-1000	9301-F-1000	9301-G-1000
1100	9301-A-1100	9301-B-1100	9301-C-1100	9301-D-1100	9301-E-1100	9301-F-1100	9301-G-1100





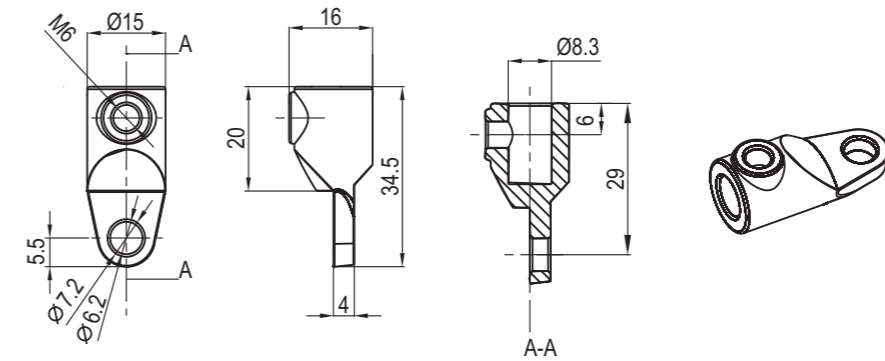
M.S. zinc plated

Door height	Rods		Version H
	Dim. X	Dim. Y	
800-1200	—	126.5	9301-H-126.5
1200-1600	—	276.5	9301-H-276.5
1600-1900	101.5	526.5	9301-H-526.5
1900-2200	101.5	676.5	9301-H-676.5



M.S. zinc plated

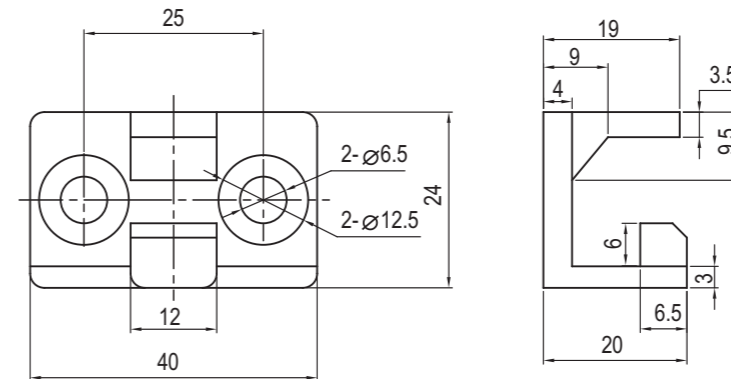
Version X	L									
	A	18.5	9301-X-18.5-0400	9301-X-18.5-0500	9301-X-18.5-0600	9301-X-18.5-0700	9301-X-18.5-0800	9301-X-18.5-0900	9301-X-18.5-1000	9301-X-18.5-1100
		22.5	9301-X-22.5-0400	9301-X-22.5-0500	9301-X-22.5-0600	9301-X-22.5-0700	9301-X-22.5-0800	9301-X-22.5-0900	9301-X-22.5-1000	9301-X-22.5-1100
	27.5	9301-X-27.5-0400	9301-X-27.5-0500	9301-X-27.5-0600	9301-X-27.5-0700	9301-X-27.5-0800	9301-X-27.5-0900	9301-X-27.5-1000	9301-X-27.5-1100	



Zinc die, zinc plated or SUS 304

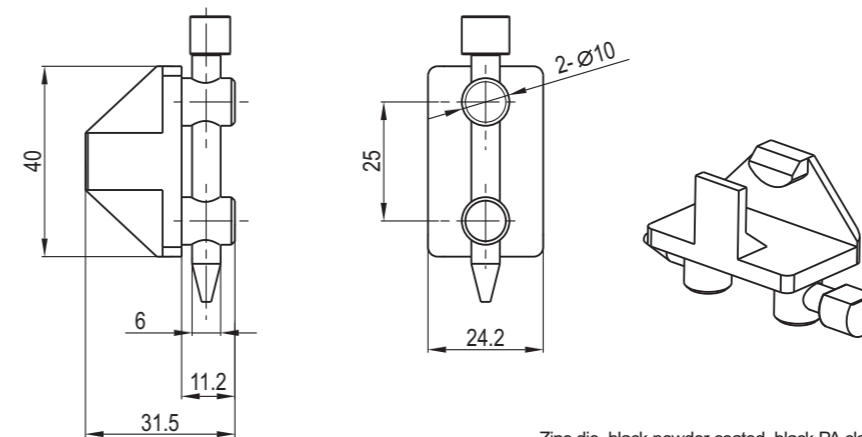
Zinc die	SUS 316
9405-01	9405-01-316

Rod catch



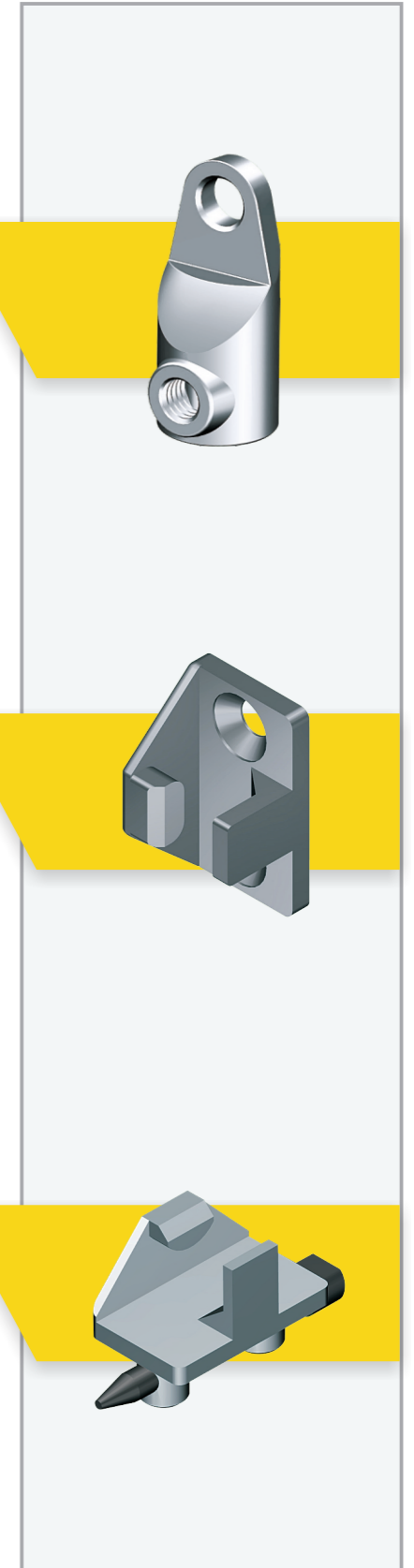
Zinc die, black powder coated

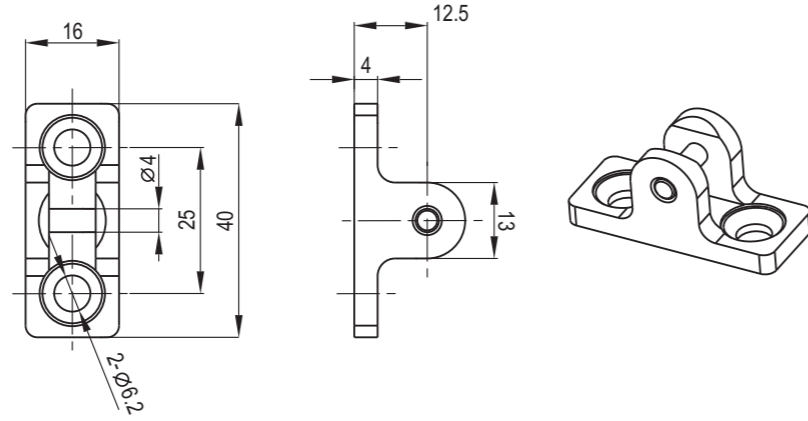
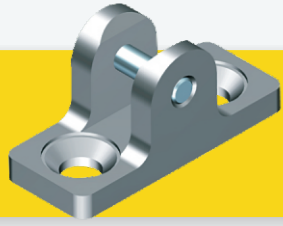
9401-4024
-----------



Zinc die, black powder coated, black PA clamping pin

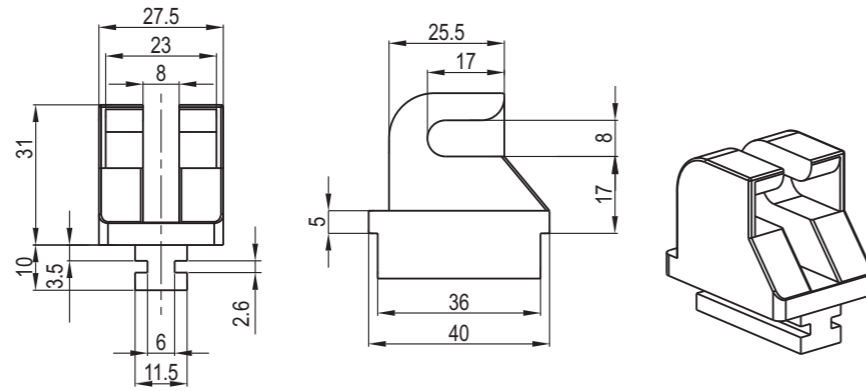
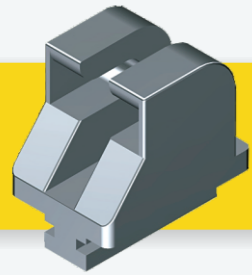
9401-4025
-----------





Zinc die,zinc plated

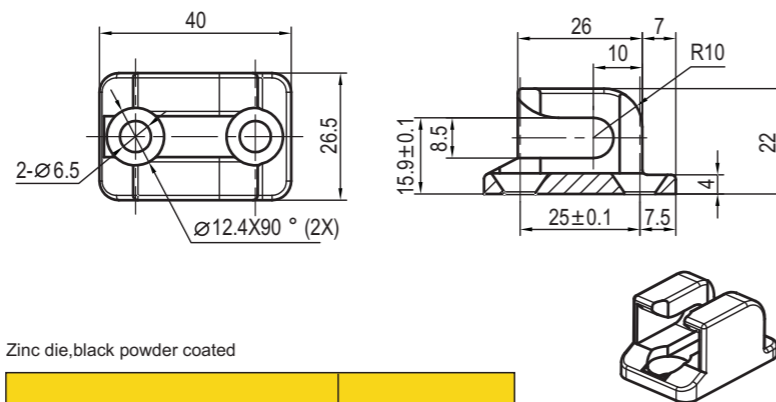
	9401-4019
--	-----------



Zinc die, black powder coated

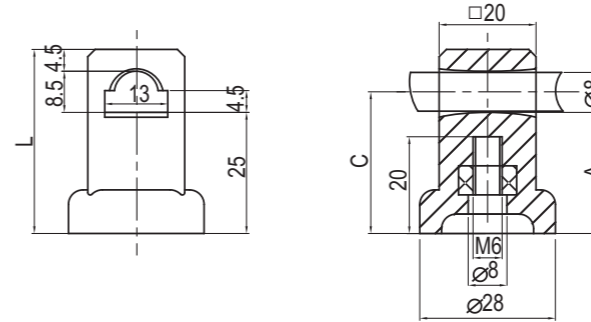
	9401-4031
--	-----------

Rod catch



Zinc die,black powder coated

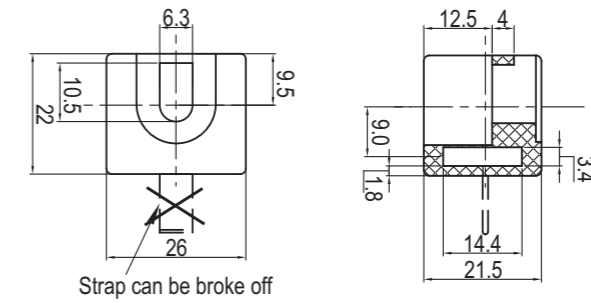
Zinc plated	9401-4026-01
Black Textured Powder Coated	9401-4026-20



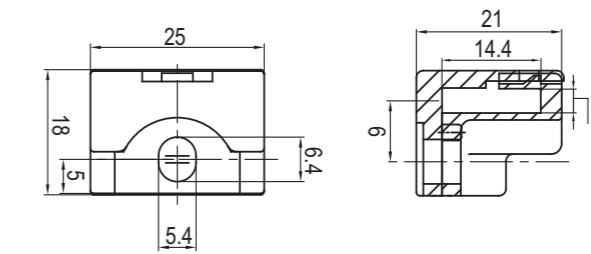
PA

L	A	
44	30	9401-4430
38	25	9401-3825
32	20	9401-3220

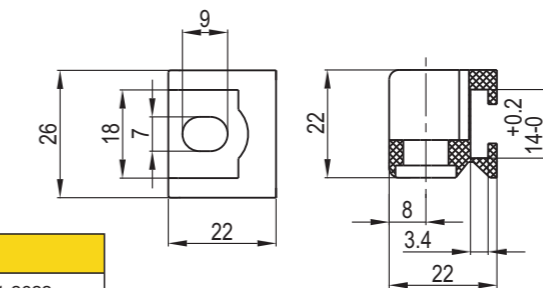
Version A  
For weld stud M6x16 or M6x20



Version B  
For weld stud M5x12

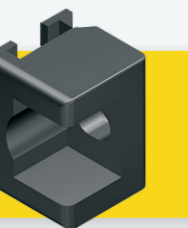
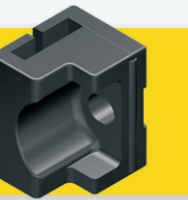
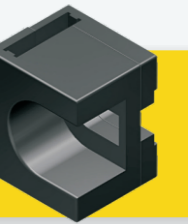


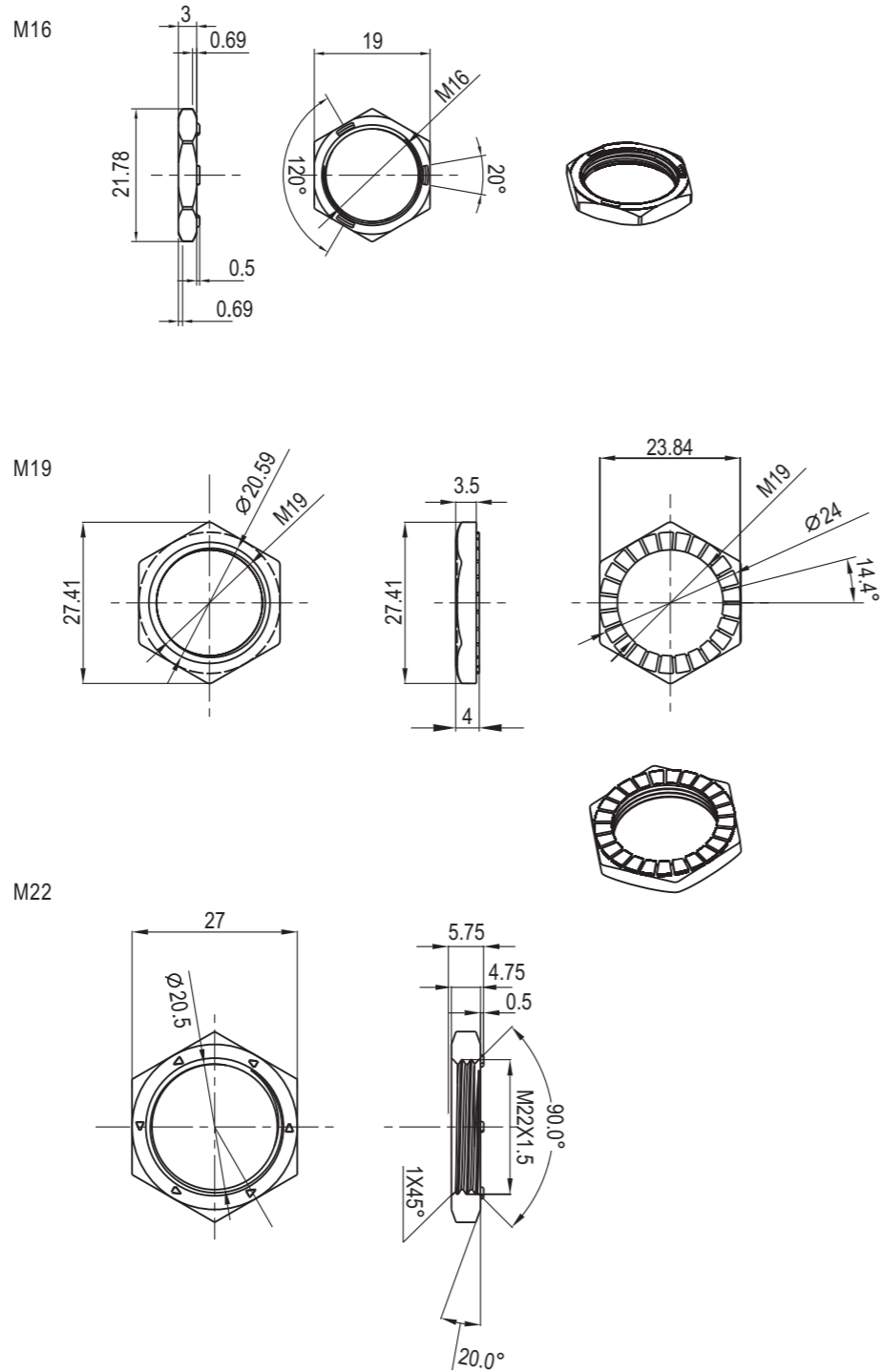
Version C



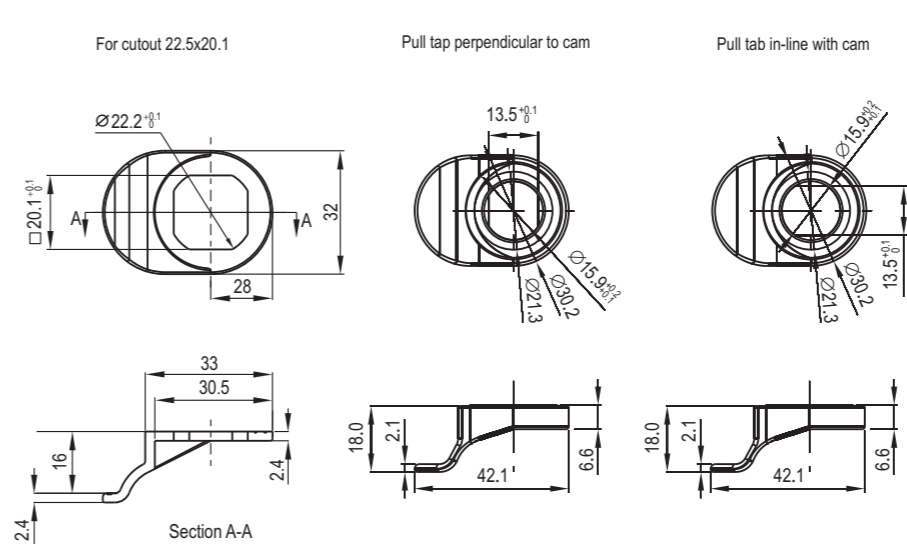
Black PA rod guide

Version A	9401-2622
Version B	9401-2518
Version C	9401-2622C



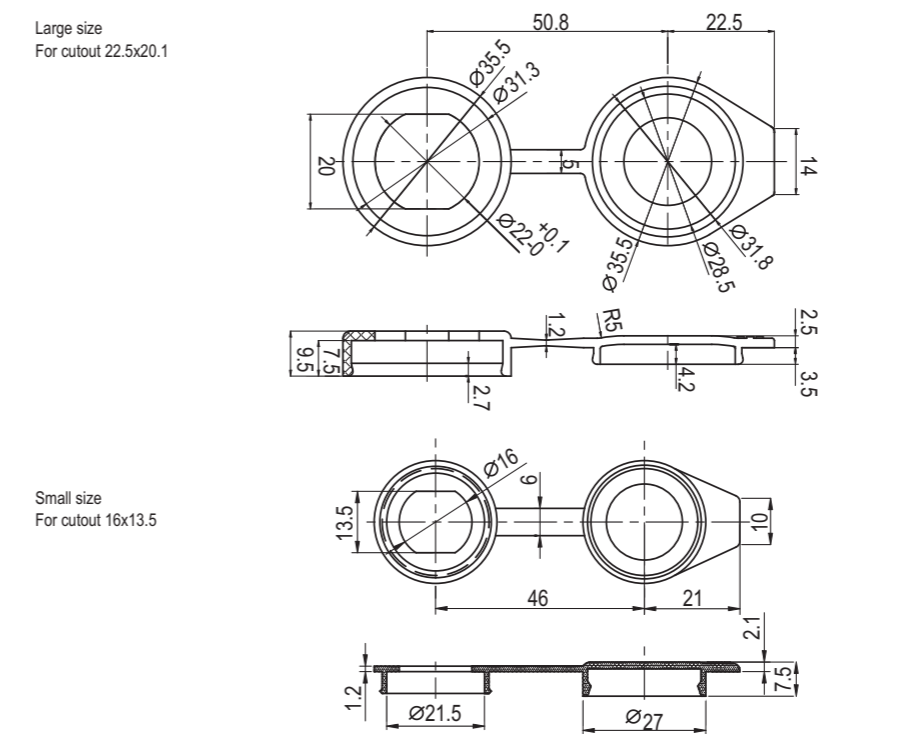


Material	Specification				
	M16	M19	M22X1.5		
			Single-faced earthing nut	Flat nut	Double-faced earthing nut
Zinc die casting		9501-M1901	9501-M220101	9501-M220102	9501-M220103
Full brass	9501-M1602	9501-M1902			
Stainless steel				9501-M2202	

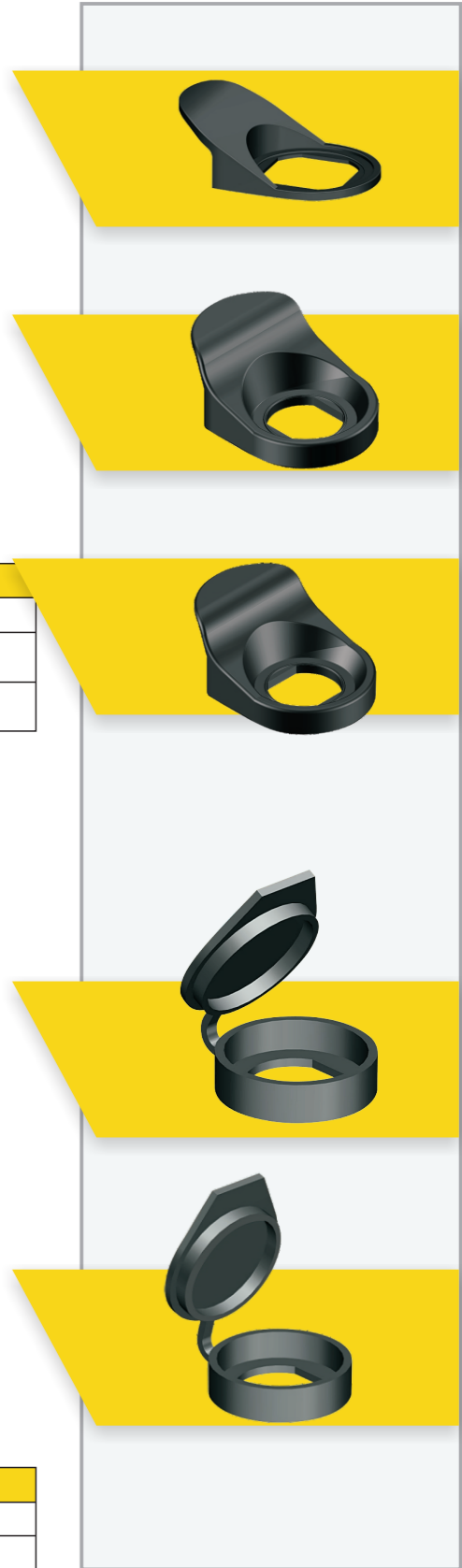


PA

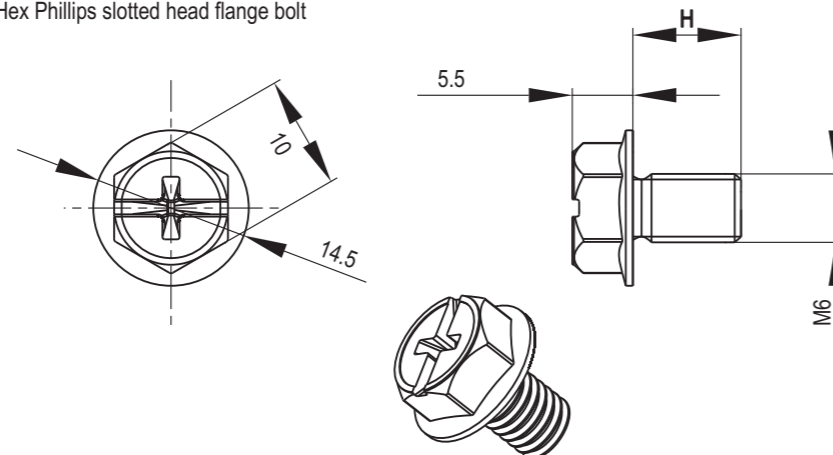
For cutout 22.5X20.1		9501-4702
Pull tab in-line with cam	For cutout 13.5XØ16	9501-4704-1
Pull tap perpendicular to cam	For cutout 13.5XØ16	9501-4704-2



Large size	9401-4101
Small size	9401-4102

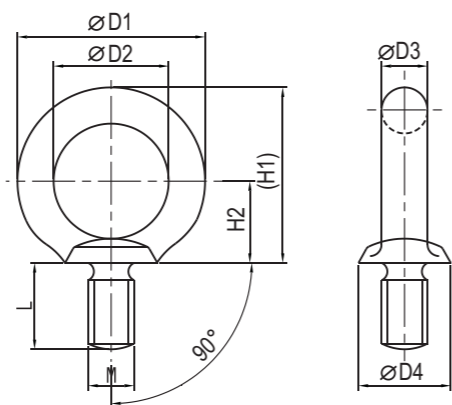


Hex Phillips slotted head flange bolt



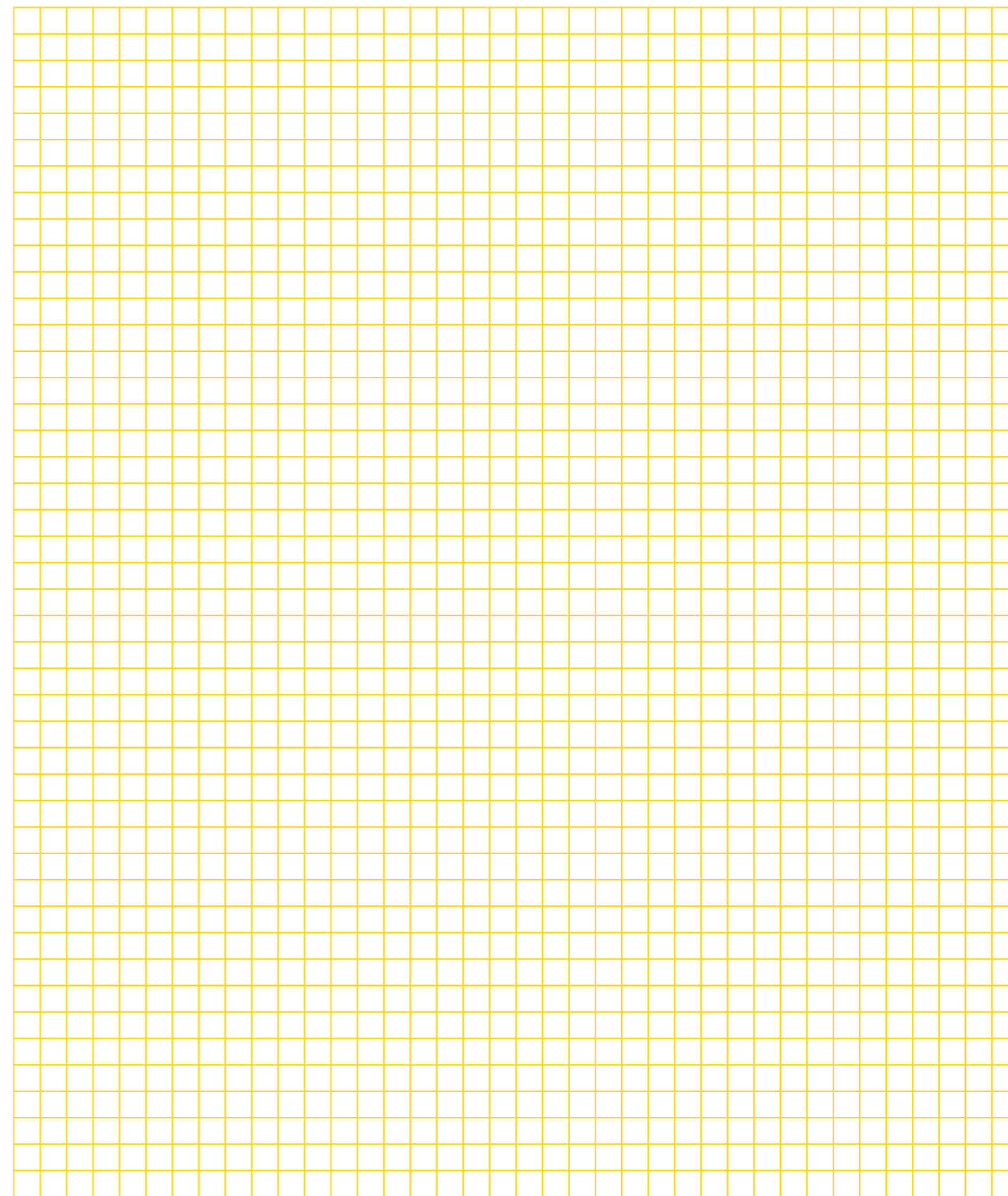
M.S. zinc plated

	Screw size		Screw size
9601-M506	M5 X 6	9601-M606	M6 X 6
9601-M508	M5 X 8	9601-M608	M6 X 8
9601-M510	M5 X 10	9601-M610	M6 X 10
9601-M512	M5 X 12	9601-M612	M6 X 12
9601-M516	M5 X 16	9601-M616	M6 X 16
9601-M518	M5 X 18	9601-M618	M6 X 18



M.S. zinc plated

	L	H1	H2	$\phi D1$	$\phi D2$	$\phi D3$	$\phi D4$	M
9606-M8	15	33.3	17	32.6	20	6.3	16	8
9606-M10	18	41.5	21	41	25	8	20	10
9606-M12	22	51	26	50	30	10	25	12
9606-M16	27	60	30	60	35	12.5	30	16
9606-M20	30	71	35	72	4	16	35	20
9606-M22	34	84	43	81	44	18	40	22
9606-M24	38	90	45	90	50	20	45	24
9606-M30	45	110	55	110	60	25	60	30
9606-M36	55	131.5	65	133	70	31.5	70	36





Product code	Page number
1100	01 ----- 02
1101	03 ----- 06
1102	07 ----- 14
1103	15 ----- 16
1104	17 ----- 17
1105	18 ----- 18
1106	19 ----- 20
1107	21 ----- 21
1108	22 ----- 22
1110	23 ----- 23
1113	24 ----- 24
1114	25 ----- 25
1116	26 ----- 26
1117	27 ----- 28
1118	29 ----- 30
1120	31 ----- 32
1122	33 ----- 33
1124	34 ----- 34
1123	35 ----- 36
1127	37 ----- 38
1128	39 ----- 39
1129	39 ----- 39
1189	40 ----- 40
1190	41 ----- 41
1191	41 ----- 41
1192	42 ----- 42
1194	42 ----- 42
1193	43 ----- 43
1201	44 ----- 45
1205	46 ----- 46
1209	46 ----- 46
1207	47 ----- 47
1208	47 ----- 47
1221	48 ----- 48
1222	49 ----- 49
1240	50 ----- 50
1241	51 ----- 51
1242	52 ----- 52
1244	53 ----- 53
1245	54 ----- 54
1246	55 ----- 55
1247	56 ----- 56
1250	57 ----- 57
1251	57 ----- 57
1252	58 ----- 58
1254	58 ----- 58
1256	59 ----- 59
1261	60 ----- 60
1262	61 ----- 61
1271	62 ----- 62
1272	62 ----- 62
1301	63 ----- 63
1310	64 ----- 64
1311	64 ----- 65
1312	66 ----- 66
1324	66 ----- 66
1316	67 ----- 67
1320	68 ----- 68
1321	68 ----- 68

Product code	Page number
1322	69 ----- 69
1325	69 ----- 69
1401	70 ----- 72
1402	73 ----- 75
1403	75 ----- 75
1406	76 ----- 76
1407	77 ----- 77
1410	78 ----- 78
1428	78 ----- 78
1412	79 ----- 79
1413	80 ----- 80
1415	81 ----- 81
1416	82 ----- 82
1417	83 ----- 83
1419	83 ----- 83
1418	84 ----- 84
1420	85 ----- 86
1421	87 ----- 87
1422	88 ----- 89
1423	90 ----- 91
1426	92 ----- 93
1427	94 ----- 95
1430	96 ----- 96
1431	97 ----- 97
1432	98 ----- 98
1435	98 ----- 98
1436	99 ----- 102
1437	103 ----- 103
1438	104 ----- 104
1439	105 ----- 105
1451	106 ----- 106
1462	106 ----- 106
1465	107 ----- 107
1601	108 ----- 108
1701	109 ----- 109
1702	109 ----- 109
1703	110 ----- 110
1704	110 ----- 110
1800	111 ----- 112
1801	112 ----- 112
1802	113 ----- 113
2101	115 ----- 122
2104	122 ----- 122
2102	123 ----- 124
2105	125 ----- 125
2106	125 ----- 125
2107	126 ----- 126
2112	126 ----- 126
2113	127 ----- 127
2114	127 ----- 127
2115	128 ----- 128
2116	128 ----- 128
2118	129 ----- 129
2120	130 ----- 130

Product code	Page number
2121	131 ----- 131
2122	132 ----- 132
2124	132 ----- 132
2123	133 ----- 133
2125	134 ----- 134
2126	134 ----- 134
2127	135 ----- 135
2128	136 ----- 136
2129	136 ----- 136
2132	136 ----- 136
2133	137 ----- 137
2135	137 ----- 137
2136	138 ----- 140
2201	141 ----- 142
2204	143 ----- 143
2206	143 ----- 143
2207	144 ----- 145
2208	146 ----- 146
2210	147 ----- 147
2211	147 ----- 147
2213	148 ----- 148
2214	148 ----- 148
2215	148 ----- 148
2305	149 ----- 149
2306	149 ----- 149
2307	150 ----- 150
2308	151 ----- 151
2309	152 ----- 152
2310	152 ----- 152
2311	153 ----- 153
2312	154 ----- 154
2313	154 ----- 154
2315	155 ----- 155
2316	156 ----- 156
2317	157 ----- 157
2318	158 ----- 158
2328	158 ----- 158
2324	159 ----- 159
2326	160 ----- 160
2327	160 ----- 160
2330	161 ----- 161
2332	161 ----- 161
2338	162 ----- 162
2401	163 ----- 164
2402	164 ----- 164
2404	165 ----- 166
2405	166 ----- 166
2406	167 ----- 167
2407	167 ----- 168
2408	169 ----- 170
2409	170 ----- 170
2410	171 ----- 171
2411	171 ----- 171
2412	172 ----- 172
2414	172 ----- 172
2416	173 ----- 173
3101	175 ----- 175

Product code	Page number
3201	176 ----- 176
3202	177 ----- 177
3203	177 ----- 177
3204	178 ----- 178
3205	178 ----- 178
3206	179 ----- 179
3207	180 ----- 180
3301	181 ----- 181
3302	182 ----- 182
3303	182 ----- 182
3308	182 ----- 182
3305	183 ----- 183
3307	183 ----- 183
3306	184 ----- 184
3401	185 ----- 185
3501	185 ----- 185
6101	186 ----- 186
6102	187 ----- 187
6103	187 ----- 187
6104	188 ----- 188
6105	189 ----- 189
6106	190 ----- 190
6201	191 ----- 191
6301	192 ----- 192
7201	194 ----- 194
7202	194 ----- 194
7203	194 ----- 194
7204	195 ----- 195
7205	195 ----- 195
7206	195 ----- 195
7207	195 ----- 195
7301	196 ----- 196
7302	196 ----- 196
7303	196 ----- 196
9100	197 ----- 200
9200	201 ----- 201
9301	202 ----- 203
9405	204 ----- 204
9401	204 ----- 206
9501	207 ----- 208
9606	209 ----- 209